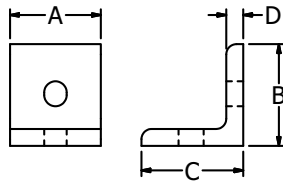
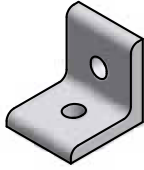
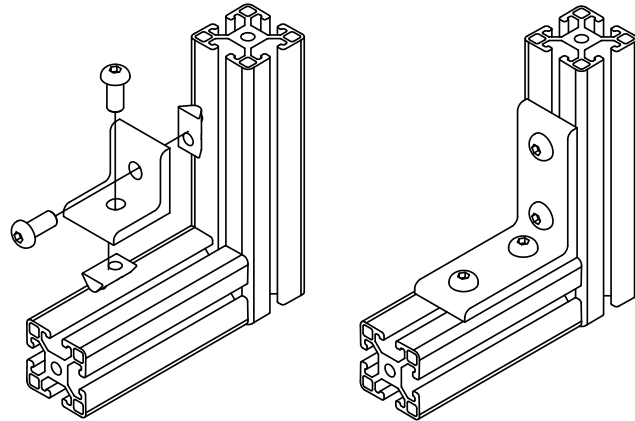


Angle Brackets



**28-600
 28-601
 28-602**

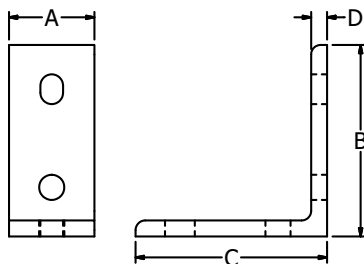
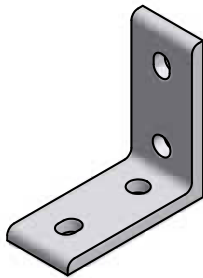


Application

Angle Brackets are used to fasten profiles together without any machining. Although it does not provide as solid a joint as other fastening methods, it allows flexibility for positioning and joining of profiles with no servicing.

Technical Data

Aluminum, Anodized



**28-605
 28-606**

Recommended Fasteners (Order Separately)

Series	Screws	T-Nuts	Double T-Nut (if applicable)
40	24-118-8	20-058	20-050
30	24-116-8	20-056	—
28	24-110-8	20-055	—
20	24-108-5	20-045	—
1.5"	25-110-5	25-002	25-041
1"	25-106-4	25-031	—

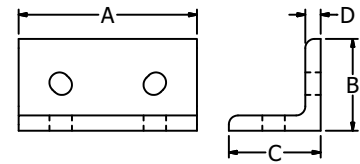
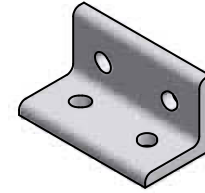
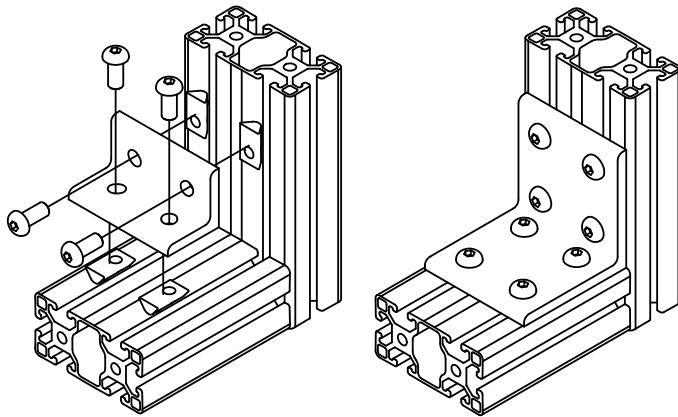
Ordering Information

Series	A	B	C	D	Hole Ø	Weight	Part #
40	34	38.1	38.1	6.4	9	38	28-602
	34	76.2	76.2	6.4	9	79	28-606
30/28	25	25.4	25.4	3.2	8.4	9	28-601
	25	57.2	57.2	3.2	8.4	21	28-605
20	15.9	19.1	19.1	3.2	5.5	4	28-600

Series	A	B	C	D	Hole Ø	Weight	Part #
1.5"	1.34"	1.50"	1.50"	0.25"	9mm	38	28-602
	1.34"	3.00"	3.00"	0.25"	9mm	79	28-606
1"	0.63"	0.75"	0.75"	0.13"	5.5mm	4	28-600



Angle Brackets



Application

Angle Brackets are used to fasten profiles together without any machining. Although it does not provide as solid a joint as other fastening methods, it allows flexibility for positioning and joining of profiles with no servicing.

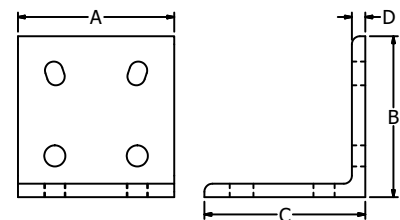
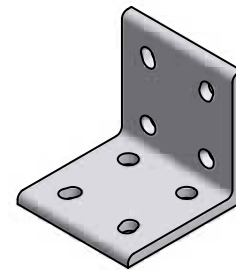
Technical Data

Aluminum, Anodized

20-116
28-603
28-604

Recommended Fasteners (Order Separately)

Series	Screws	T-Nuts	Double T-Nut (if applicable)
40	24-118-8	20-058	20-050
30	24-116-8	20-056	—
28	24-110-8	20-055	—
20	24-108-5	20-045	—
1.5"	25-110-5	25-002	25-041
1"	25-106-4	25-031	—



Ordering Information

Series	A	B	C	D	Hole Ø	Weight	Part #
40	74	38.1	38.1	6.4	9	84 g	28-604
	74	76.2	76.2	6.4	9	174 g	28-608
30/28	50.8	25.4	25.4	3.2	8.4	18 g	28-603
	53	57.2	57.2	3.2	8.4	45 g	28-607
20	36	19.1	19.1	3.2	5.5	10 g	20-116

28-607
28-608

Series	A	B	C	D	Hole Ø	Weight	Part #
1.5"	2.91"	1.50"	1.50"	0.25"	9mm	84 g	28-604
	2.91"	3.00"	3.00"	0.25"	9mm	174 g	28-608
1"	2.00"	1.00"	1.00"	0.13"	5.5mm	18 g	28-603