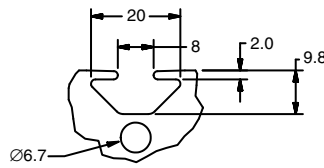


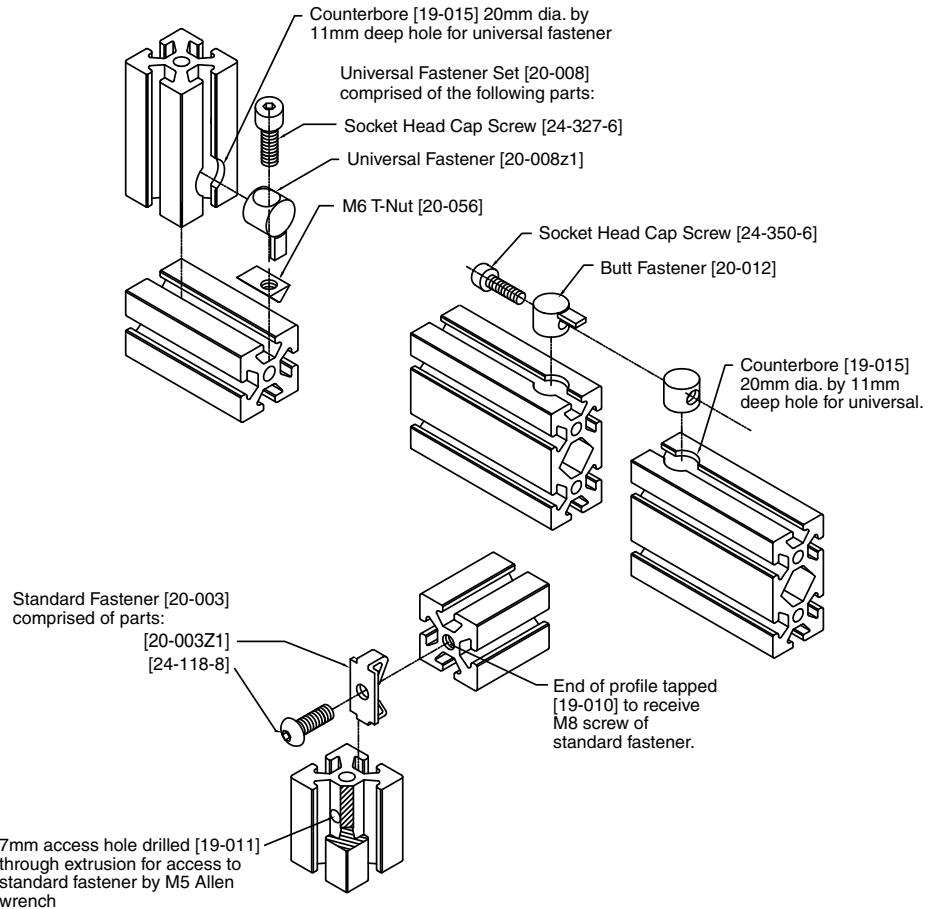
30 Series Profiles

Part #	Description	Moment of Inertia		Section Modulus		Section [cm ²]	Weight [kg/m]	Cat. Page
		I _x [cm ⁴]	I _y [cm ⁴]	W _x [cm ³]	W _y [cm ³]			
12-030	Profile 30x30	3.15	3.15	2.10	2.10	3.33	0.90	33
12-033	Profile 30x30 Quarter Round	2.48	2.48	1.51	1.51	3.13	0.85	34
12-034	Profile 30x30 Bi-Slot Corner	3.52	3.51	2.24	2.23	3.69	1.00	33
12-060	Profile 30x60	6.12	21.20	4.08	7.07	6.19	1.68	35

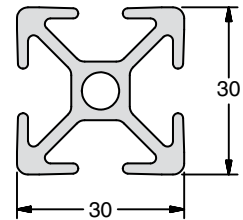
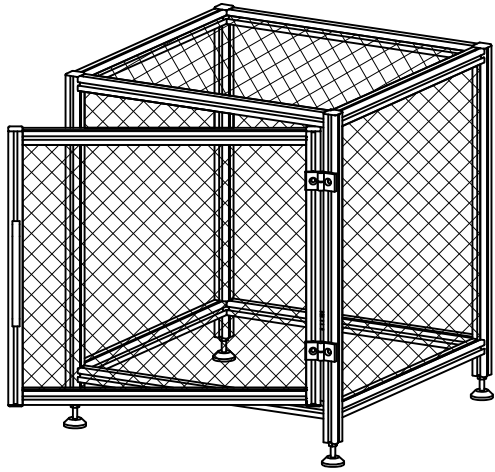
T-Slot Detail



Service



30x30 Profiles



12-030

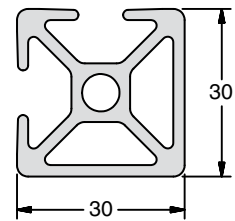
Application

Designed for general structures, safety guards and partition frames, light duty enclosures and industrial peripherals. Profile 12-034 has closed faces on two perpendicular sides making it ideal for constructing smooth corners.

Technical Data

Aluminum, Clear Anodized (See Technical Data page 9 for full material and finish specifications)

Part #	I_x [cm ⁴]	I_y [cm ⁴]	W_x [cm ³]	W_y [cm ³]	Section [cm ²]	Weight [kg/m]
12-030	3.15	3.15	2.10	2.10	3.33	0.90
12-034	3.52	3.51	2.24	2.23	3.69	1.00



12-034

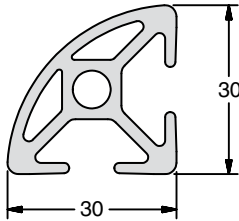
Ordering Information

Description	Unit	Part # (Clear)
Profile 30x30	Cut off max. 6m	12-030
Profile 30x30 Bi-Slot Corner	Cut off max. 6m	12-034
*Saw Cut Needed for Cut to Length		19-001

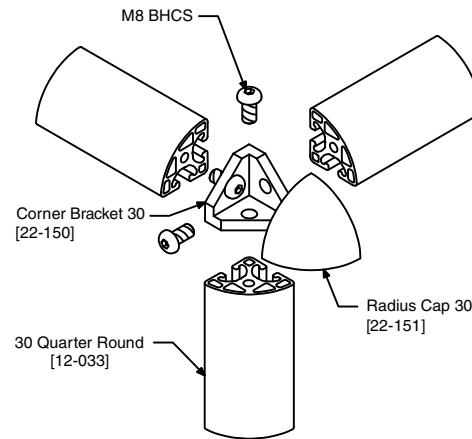
Quick Reference for Mating Components

Fasteners		Structural Accessories	
Standard Fastener	20-003	Corner Bracket 30	22-150
Universal Fastener	20-008	Connector Cap 30 (Sq)	22-152
End Caps		Leveling Foot	21-001-30
30x30	18-803	T-Slot Nuts	Page 82

30x30 Quarter Round



12-033



Application

Designed with a quarter round smooth face and T-Slots, this profile is particularly useful for engineering frames, shelving or enclosures where a radius edge is aesthetically or functionally desirable.

Technical Data

Aluminum, Clear Anodized (See Technical Data page 9 for full material and finish specifications)

Part #	I_x [cm ⁴]	I_y [cm ⁴]	W_x [cm ³]	W_y [cm ³]	Section [cm ²]	Weight [kg/m]
12-033	2.48	2.48	1.51	1.51	3.13	0.85

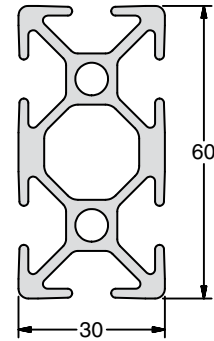
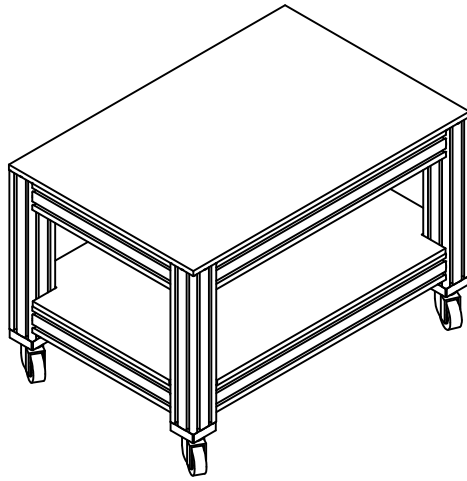
Ordering Information

Description	Unit	Part #
Profile 30x30 Quarter Round	Cut off max. 6m	12-033
*Saw Cut Needed for Cut to Length		19-001

Quick Reference for Mating Components

Fasteners		Corner Connector Caps	Pg. 98
Flat Plate Fastener	20-028	Connector Cap, Radius	22-151
Miter Connector 30	20-024	Tap Profile End for M8	19-010
Corner Bracket 30	22-150	45° Miter Cut	19-104

60x30 Profiles



12-060

Application

These profiles are ideal for general use structures, safety guards and partition frames, light duty enclosures and industrial peripherals.

Technical Data

Aluminum, Clear Anodized (See Technical Data page 9 for full material and finish specifications)

Part #	I_x [cm ⁴]	I_y [cm ⁴]	W_x [cm ³]	W_y [cm ³]	Section [cm ²]	Weight [kg/m]
12-060	6.12	21.20	4.08	7.07	6.19	1.68

Ordering Information

Description	Unit	Part #
Profile 30x60	Cut off max. 6m	12-060
*Saw Cut Needed for Cut to Length		19-001

Quick Reference for Mating Components

Fasteners		T-Nut Examples	
Standard Fastener	20-003	M6 Roll-In	20-056
Universal Fastener	20-008	M8 Roll-In	20-058
End Caps		M8/40 Double Roll-In	20-049
30x60	18-863	T-Slot Nut, HD M8	20-064