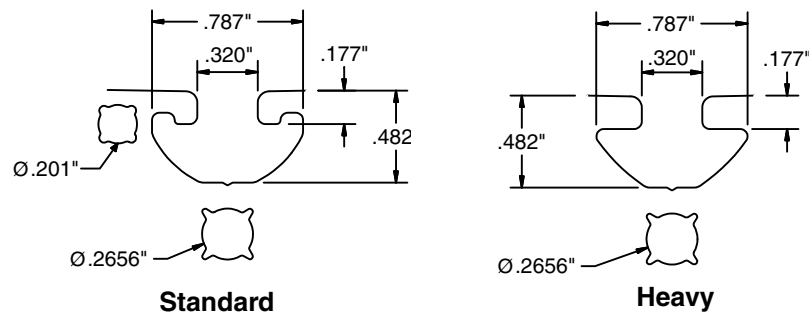


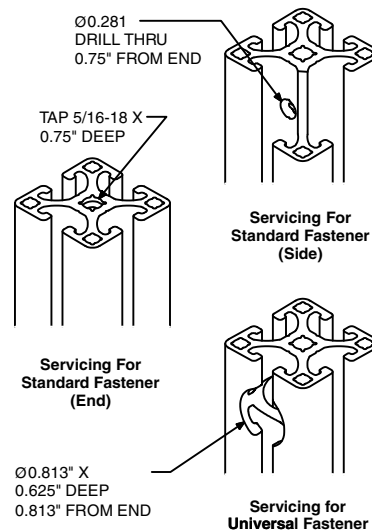
1.5" Series

Part #	Description	Moment of Inertia		Section Modulus		Section [cm ²]	Weight [kg/m]	Page
		I _x [cm ⁴]	I _y [cm ⁴]	W _x [cm ³]	W _y [cm ³]			
10-1515	1.5" x 1.5" Standard Profile	8.49	8.49	4.46	4.46	6.19	1.70	45
10-1530	3" x 1.5" Standard Profile	15.15	61.85	7.95	16.23	10.38	2.81	48
10-1543	1.5" Quarter Round Profile	6.16	6.16	2.90	2.90	5.48	1.47	47
10-1560	6" x 1.5" Standard Profile	27.97	420.89	14.68	55.24	18.33	6.98	50
10-1591	1.5" x 1.5" Mono-Slot Profile	8.53	8.70	4.47	4.57	6.20	1.68	46
10-1592	1.5" x 1.5" Bi-Slot Corner Profile	8.62	8.62	4.51	4.51	3.24	1.68	46
10-1593	1.5" x 1.5" Tri--Slot Profile	8.66	8.49	4.53	4.46	6.22	1.69	46
10-1594	1.5" x 1.5" Bi-Slot Midframe Profile	8.78	8.45	4.61	4.44	6.21	1.68	46
10-3030	3" x 3" Standard Profile	113.38	113.38	29.76	29.76	17.42	4.72	49
11-1515	1.5" x 1.5" Heavy Profile	11.24	11.24	5.90	5.90	7.74	2.10	45
11-1530	3" x 1.5" Heavy Profile	21.10	78.79	11.08	20.68	14.00	3.72	48
11-3030	3" x 3" Heavy Profile	146.43	146.43	38.43	38.43	22.61	6.04	49
12-1515	1.5" x 1.5" Light Profile	7.08	7.08	3.72	3.72	4.82	1.31	45
12-1530	3" x 1.5" Light Profile	13.10	49.63	6.88	13.03	8.43	2.28	48

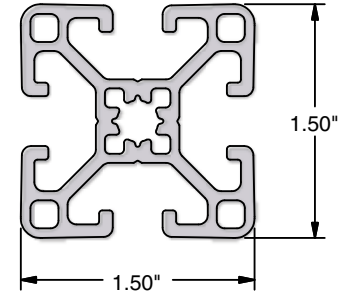
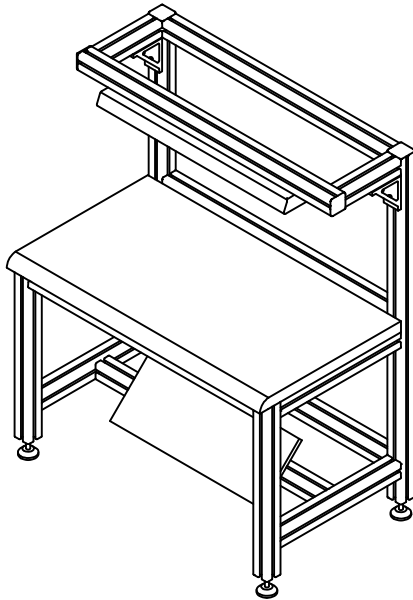
T-Slot Detail



Service



**1.5" x 1.5"
 Slotted Profiles**



12-1515

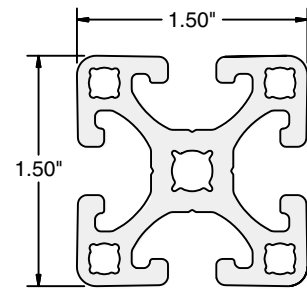
Application

10-1515 and 11-1515 are ideal general purpose extrusions for guards, enclosures, work stations, tool carts and smaller machine frames. T-slots on four sides allows for effortless mounting of accessories directly onto the structure without additional machining.

Technical Data

Aluminum, Clear Anodized (See Technical Data page 9 for full material and finish specification)

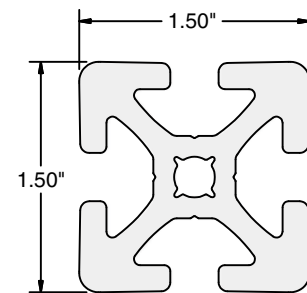
Part #	I_x [cm ⁴]	I_y [cm ⁴]	W_x [cm ³]	W_y [cm ³]	Section [cm ²]	Weight [kg/m]
10-1515	8.49	8.49	4.46	4.46	6.19	1.70
11-1515	11.24	11.24	5.90	5.90	7.74	2.10
12-1515	7.08	7.08	3.72	3.72	4.82	1.31



10-1515

Ordering Information

Description	Unit	Part #
1.5" x 1.5" Light Profile	Cut off max 240 in	12-1515
1.5" x 1.5" Standard Profile	Cut off max. 240 in	10-1515
1.5" x 1.5" Heavy Profile	Cut off max. 240 in	11-1515
* Saw cut needed for Cut to Length		19-001



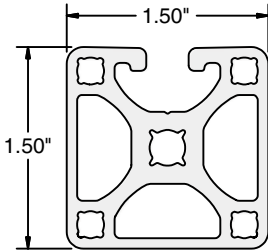
11-1515

Quick Reference for Mating Components

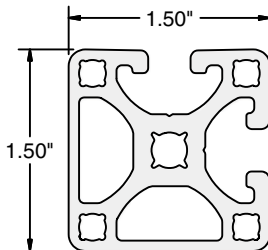
Fasteners		T-Nuts	
1.5" Standard Fastener	25-003	1/4-20 Roll-In	25-001
1.5" Single Fastener	25-014	5/16-18 Roll-In	25-002
1.5" Universal Fastener	25-004	5/16-18 Double Roll-In	25-041
End Caps		1/4-20 Economy	20-083
1.5" x 1.5"	18-1515	5/16-18 Economy	20-082



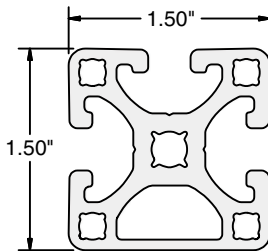
1.5" x 1.5" Closed Face Profiles



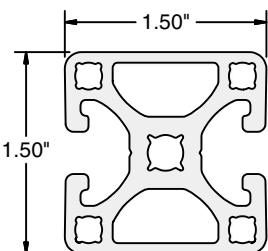
10-1591



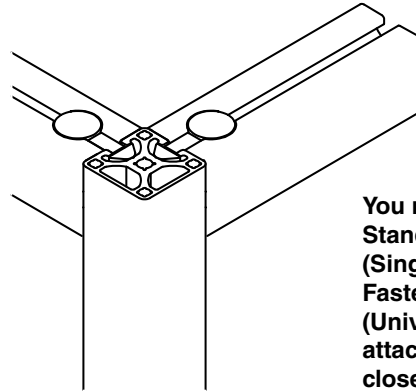
10-1592



10-1593



10-1594



You must use 25-022 (Flat Standard Fastener), 25-014 (Single Ended Standard Fastener) or 25-004 (Universal Fastener) when attaching to the end of the closed slot profiles (as shown).

Application

These profiles are designed with various closed faces. They are particularly useful when a smooth appearance is desired. The smooth surfaces are ideal for clean room, packaging, medical and pharmaceutical applications. The option of different T-slotted faces is ideal for fastening the profiles while retaining a smooth exterior to create the most aesthetic appearance.

Technical Data

Aluminum, Clear Anodized (See Technical Data page 9 for full material and finish specification)

Part #	I_x [cm ⁴]	I_y [cm ⁴]	W_x [cm ³]	W_y [cm ³]	Section [cm ²]	Weight [kg/m]
10-1591	8.53	8.70	4.47	4.57	6.20	1.68
10-1592	8.62	8.62	4.51	4.51	6.24	1.68
10-1593	8.66	8.49	4.53	4.46	6.22	1.69
10-1594	8.78	8.45	4.61	4.44	6.21	1.68

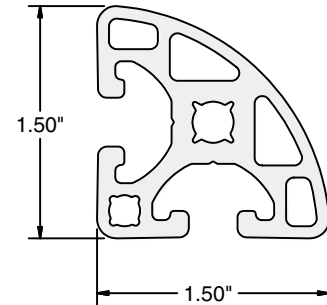
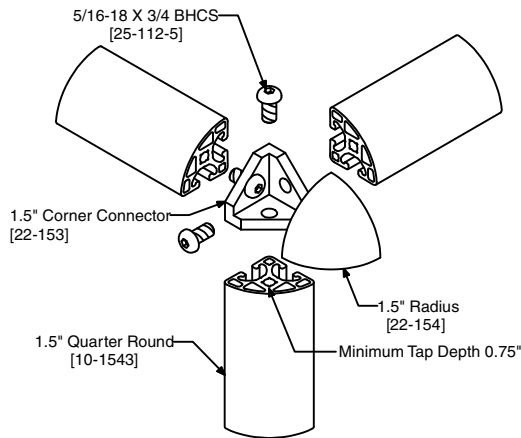
Ordering Information

Description	Unit	Part #
1.5" x 1.5" Mono Slot Profile	Cut off max. 240 in	10-1591
1.5" x 1.5" Bi-Slot Corner Profile	Cut off max. 240 in	10-1592
1.5" x 1.5" Tri-Slot Profile	Cut off max. 240 in	10-1593
1.5" x 1.5" Bi-Slot Midframe Profile	Cut off max. 240 in	10-1594
* Saw cut needed for Cut to Length		19-001

Quick Reference for Mating Components

Fasteners		Structural Accessories	
1.5" Flat Standard Fastener	25-022	Panels	pg 112
1.5" Single Fastener	25-014	Hinges	pg 138
1.5" Universal Fastener	25-004	Catches	pg 150
End Caps		Gussets	pg 104
1.5" x 1.5"	18-1515		

1.5" x 1.5" Quarter Round Profile



10-1543

Application

This profile is designed with curved surfaces while retaining T-slotted surfaces for connecting. This is particularly useful for rounding or smoothing off corners of structures where ergonomics apply. The smooth surfaces are ideal for clean room, medical and pharmaceutical applications.

Technical Data

Aluminum, Clear Anodized (See Technical Data page 9 for full material and finish Specification)

Part #	I_x [cm ⁴]	I_y [cm ⁴]	W_x [cm ³]	W_y [cm ³]	Section [cm ²]	Weight [kg/m]
10-1543	6.16	6.16	2.90	2.90	5.48	1.47

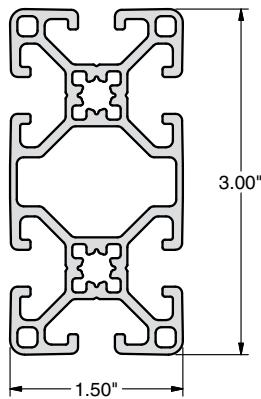
Ordering Information

Description	Unit	Part #
1.5" Quarter Round Profile	Cut off max. 240 in	10-1543
* Saw Cut Needed for Cut to length		19-001

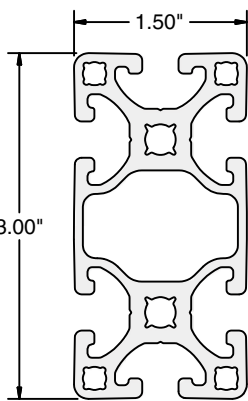
Quick Reference for Mating Components

Fasteners		End Caps	
1.5" Standard Fastener	25-003	1.5" Quarter (for 10-1543)	18-1543
1.5" Single End Standard	25-014	1.5" Radius	
1.5" Universal Fastener	25-004	(for Corner Connector)	22-154
Corner Connector			
1.5" Corner Connector	22-153		

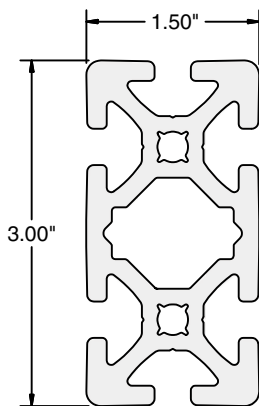
3" x 1.5" Profiles



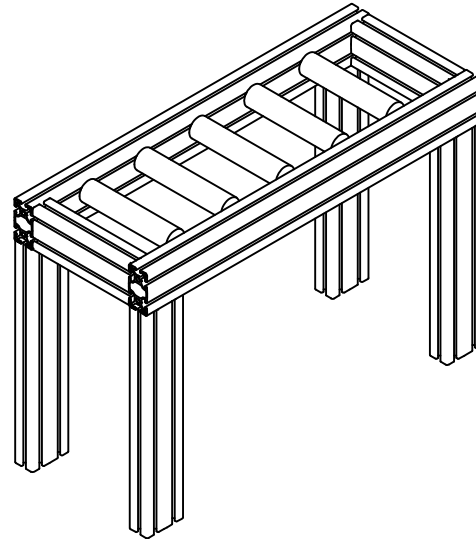
12-1530



10-1530



11-1530



Application

Profiles 10-1530 and 11-1530 are ideal general purpose extrusions for guards, enclosures, work stations, tool carts and machine frames. They are designed with a high inertial strength in the 'y' axis. This allows higher structural integrity to create more stable and rigid structures. T-slots on four sides allow for effortless mounting of accessories directly onto the structure without additional machining.

Technical Data

Aluminum, Clear Anodized (See Technical Data page 9 for full material and finish Specification)

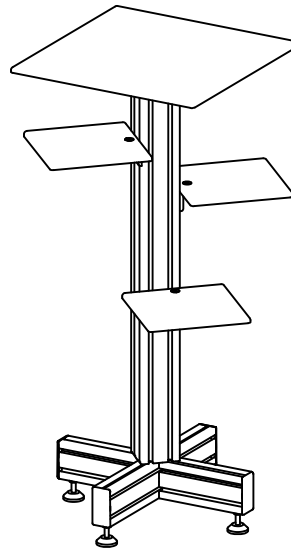
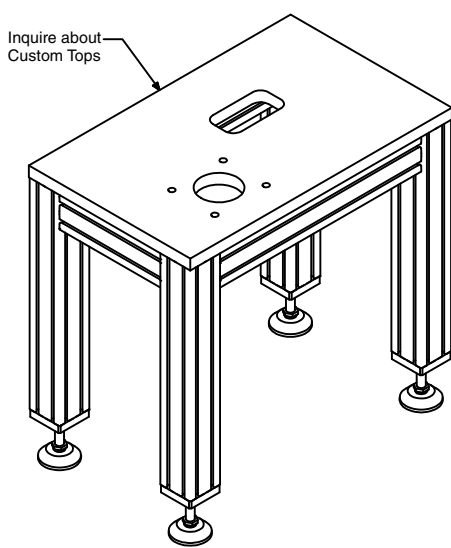
Part #	I_x [cm ⁴]	I_y [cm ⁴]	W_x [cm ³]	W_y [cm ³]	Section [cm ²]	Weight [kg/m]
10-1530	15.15	61.85	7.95	16.23	10.38	2.81
11-1530	21.10	78.79	11.08	20.68	14.00	3.72
12-1530	13.10	49.63	6.88	13.03	8.43	2.28

Ordering Information

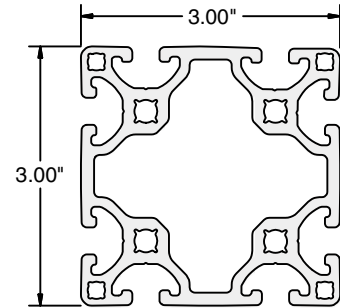
Description	Unit	Part #
3" x 1.5" Light Profile	Cut off max 240 in	12-1530
3" x 1.5" Standard Profile	Cut off max. 240 in	10-1530
3" x 1.5" Heavy Profile	Cut off max. 240 in	11-1530
* Saw Cut Needed for Cut to length		19-001

Quick Reference for Mating Components

Fasteners		T-Nuts	
1.5" Standard Fastener	25-003	1/4-20 Roll-In	25-001
1.5" Universal Fastener	25-004	5/16-18 Roll-In	25-002
End Caps		5/16-18 Double Roll-In	25-041
3" x 1.5"	18-1530	1/4-20 Economy	20-083
		5/16-18 Economy	20-082



3" x 3" Profiles



10-3030

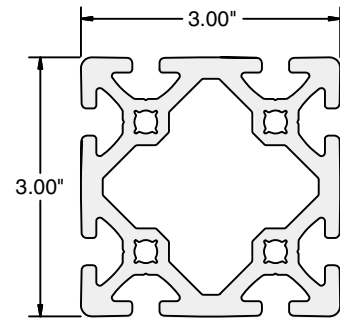
Application

These profiles are designed for medium to heavy duty structures and are ideal for structural support and post applications. These profiles have high structural integrity to create extra stable and rigid structures. T-slots on four sides allow for effortless mounting of accessories directly onto the structure without additional machining.

Technical Data

Aluminum, Clear Anodized (See Technical Data page 9 for full material and finish specification)

Part #	I_x [cm ⁴]	I_y [cm ⁴]	W_x [cm ³]	W_y [cm ³]	Section [cm ²]	Weight [kg/m]
10-3030	113.38	113.38	29.76	29.76	17.42	4.72
11-3030	146.43	146.43	38.43	38.43	22.61	6.04



11-3030

Ordering Information

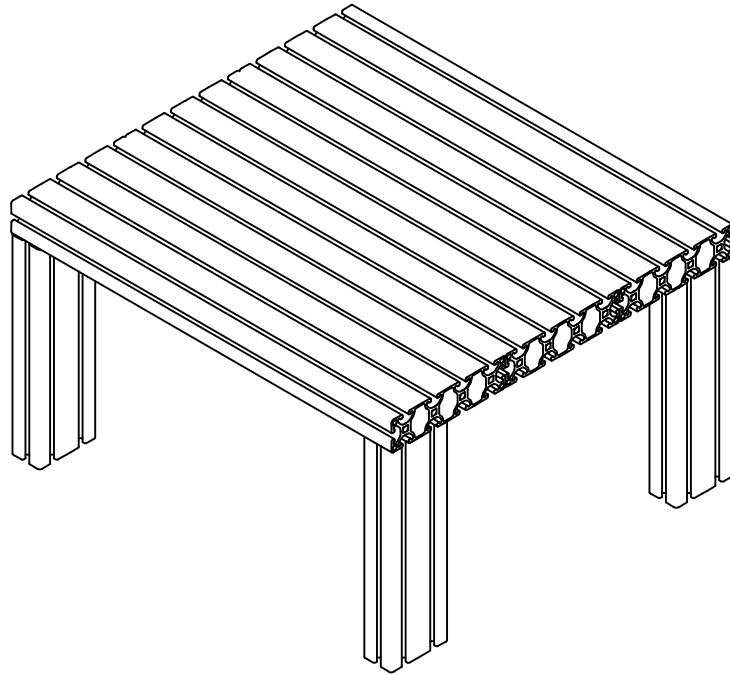
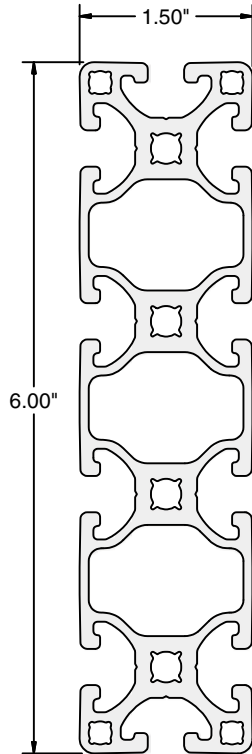
Description	Unit	Part #
3" x 3" Standard Profile	Cut off max. 240 in	10-3030
3" x 3" Heavy Profile	Cut off max. 240 in	11-3030
* Saw Cut Needed for Cut to length		19-002

Quick Reference for Mating Components

Fasteners		Structural Accessories	
1.5" Standard Fastener	25-003	Levelers	pg 156
1.5" Universal Fastener	25-004	Casters	pg 167
End Caps		Plates	pg 102
3" x 3"	18-3030	Gussets	pg 104



6" x 1.5" Profiles



10-1560

Application

10-1560 is designed for heavy duty structures and is an ideal profile for structural support and post applications. 10-1560 is designed with a high inertial strength in the 'y' axis. This allows for very high structural integrity to create extra stable and rigid structures. T-slots on four sides allow for effortless mounting of accessories directly onto the structure without additional machining. Because of its multiple T-slots, it is also an ideal profile for a fixture table.

Technical Data

Aluminum, Clear Anodized (See Technical Data page 9 for full material and finish specification.)

Part #	I_x [cm ⁴]	I_y [cm ⁴]	W_x [cm ³]	W_y [cm ³]	Section [cm ²]	Weight [kg/m]
10-1560	27.97	420.89	14.68	55.24	18.33	6.98

Ordering Information

Description	Unit	Part #
6" x 1.5" Profile	Cut off max. 240 in	10-1560
* Saw Cut Needed for Cut to length		19-003

Quick Reference for Mating Components

Fasteners		T-Nuts	
1.5" Standard Fastener	25-003	1/4-20 Roll-In	25-001
1.5" Universal Fastener	25-004	5/16-18 Roll-in	25-002
End Caps		5/16-18 Double Roll-In	25-041
3" x 1.5"	18-1530	1/4-20 Economy	20-083
(Use 2 per end)		5/16-18 Economy	20-082