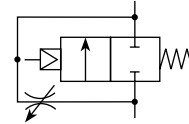


Global Air Preparation System

Soft Start Valve



Symbol



- Modular design with 1/4" or 1/2" integral ports (NPT, BSPP & BSPT)
- The 2-way, 2-position function provides for the safe introduction of pressure
- Adjustable slow start
- Solenoid or air pilot options
- High flow

Parker Global Series Soft Start Valves, provide for the safe introduction of pressure to machines or systems. Soft Start Valves, allow the pressure to gradually build to the set point before fully opening to deliver full flow at line pressure.

The controlled introduction of pressure can be an important safety factor and prevent damage to tooling when air pressure is introduced at machine or system start up.

Note: Soft Start Valves must be installed downstream of a 3/2 valve with exhaust capability

Options:

P31S		A	9	2	S	G	N	Solenoid type only	
C		2CN							
Body size		Engr level		Thread type		Actuator interface		Solenoid voltage	
Soft start (1/4")	P31S	Current	A	BSPP	1	0	Internal Pilot	2CN	24VDC non locking manual override
Soft start (1/2")	P32S			BSPT	2	G	15mm solenoid (P31 only)	3GN	120VAC non locking manual override
				NPT	9	C	30mm solenoid	1FN	120VAC non locking manual override (P31 series only)
						P*	Threaded air pilot	Solenoid type	
Note:		Port size		Pilot type					
P32 unit used for both P32 & P33 series		Global modular mini (1/4")	2	P	External air pilot	C 15mm (P31 series only)			
Bold items are most common.		Global modular compact (1/2")	4	S	Solenoid pilot	A 30mm CNOMO coil (P32 only)			
				Y	Internal air pilot	D 30mm CNOMO coil (M12 connection) (P32 only)			

Port size	Description	Order code†	Flow dm³/s (scfm)	Max. bar (psig)	Height mm (inches)	Width mm (inches)	Depth mm (inches)	Weight
1/4"	120VAC Solenoid & cable plug	P31SA92SGNC1FN	17 (36)	10 (150)	115.6 (4.5)	57 (2.2)	40 (1.5)	0.37kg (0.8lbs)
1/4"	24VDC Solenoid & cable plug	P31SA92SGNC2CN	17 (36)	10 (150)	166.0 (6.5)	57 (2.2)	40 (1.5)	0.41kg (0.9lbs)
1/4"	Internal air pilot operated	P31SA92Y0N	17 (36)	17 (250)	115.6 (4.5)	57 (2.2)	40 (1.5)	0.37kg (0.8lbs)
1/4"	External air pilot (1/8" threaded)	P31SA92PPN	17 (36)	17 (250)	115.6 (4.5)	57 (2.2)	40 (1.5)	0.37kg (0.8lbs)
1/2"	120VAC 30mm coil & cable plug incl.	P32SA94SCNA3GN	48 (101)	10 (150)	162.5 (6.3)	88 (3.4)	57.2 (2.28)	0.87kg (1.5lbs)
1/2"	24VDC 30mm coil & cable plug	P32SA94SCNA2CN	48 (101)	10 (150)	227.5 (8.9)	88 (3.4)	57.2 (2.28)	0.90kg (2.0lbs)
1/2"	Internal air pilot operated	P32SA94Y0N	48 (101)	17 (250)	162.5 (6.3)	75 (2.9)	57.2 (2.28)	0.90kg (2.0lbs)
1/2"	External air pilot (1/8" threaded)	P32SA94PPN	48 (101)	17 (250)	162.5 (6.3)	75 (2.9)	57.2 (2.28)	0.87kg (1.5lbs)

† Standard part numbers shown in bold. For other models refer to Options chart above.



Global Air Preparation System

Technical Information

Fluid:	Compressed air	
Max. pressure solenoid operated:	10 bar (150 psig)	
Max. pressure air pilot operated:	17 bar (250 psig)	
Min. operating pressure:	3 bar (44 psig)	
Temperature Max.* solenoid operated:	-10°C to 50°C (14°F to 122°F)	
Temperature Max.* air pilot operated:	-20°C to 80°C (-4°F to 176°F)	
Air pilot port:	1/8"	
Typical flow with 6.3bar inlet pressure and 1 bar pressure drop:	P31S	17 dm ³ /s (36 scfm)
	P32S	48 dm ³ /s (101 scfm)

* Air supply must be dry enough to avoid ice formation at temperatures below +2°C
Snap pressure: Full flow when downstream pressure reaches 50% of the inlet pressure

Material Specifications

Body:	Aluminum
Body cover:	Polyester
Seals:	Nitrile NBR

Mounting Brackets

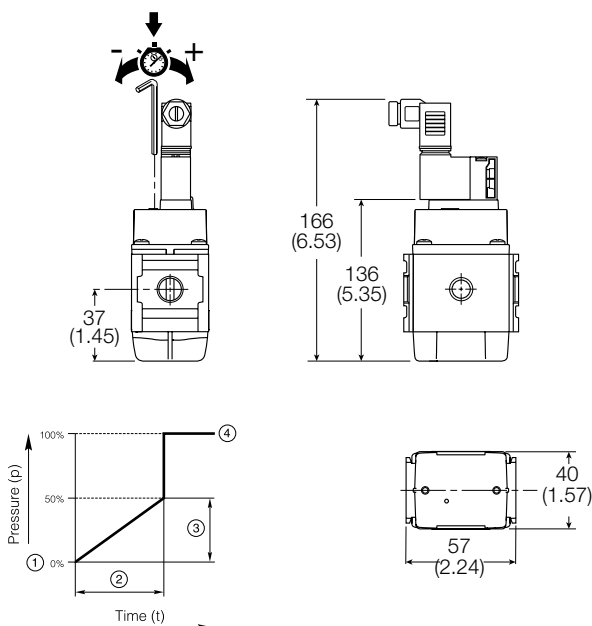
Description	Order code
	P31S
L-bracket mounting kit	P3HKA00ML
Foot bracket mounting kit	P3HKA00MC

Note:

For solenoid operators and cable plugs (connectors) see pages 68 to 69.

Dimensions mm (inches)

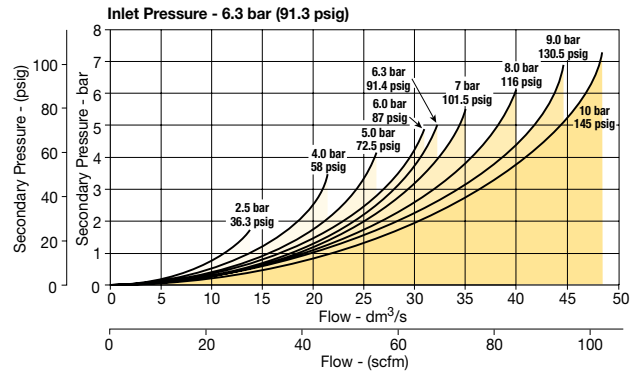
P31S



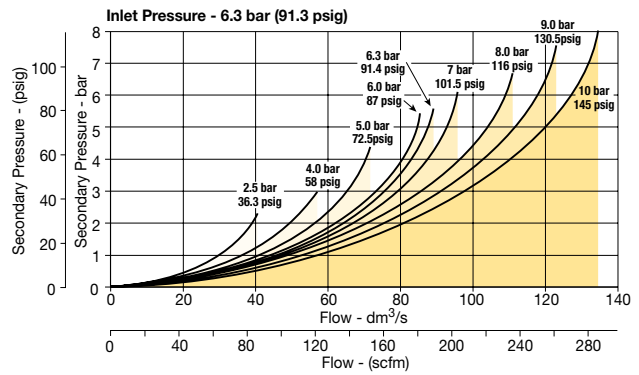
For mounting brackets see page 52

Flow Charts

1/4 Soft Start Valve



1/2 Soft Start Valve



P32S

