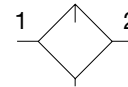


**Compact Lubricator - P32**

**Symbol**



Lubricator with drain

- Integral 1/4", 3/8" or 1/2" ports (NPT, BSPP & BSPT)
- Robust but lightweight aluminum construction
- Proportional oil delivery over a wide range of air flows
- Finger tip ratchet control for precise oil drip rate adjustment
- Fill from top under system pressure

**B**

Introduction

Compos

Filters

Coalescers

Regulators

Filter /  
Regulators

Lubricators

Accessories

**Options:**

**P32L A 9 2 L G N N**

<b>Basic series</b> Global modular compact lubricator P32L	<b>Engr level</b> Current A	<b>Thread type</b> BSPP 1 BSPT 2 NPT 9	<b>Port size</b> 1/4 2 3/8 3 1/2 4	<b>Lube type</b> Oil mist standard sight dome L	<b>Drain type</b> N No drain closed end	<b>Mounting</b> N No bracket	<b>Bowl type</b> G Poly bowl with bowl guard M Metal bowl without sight gauge S Metal bowl with sight gauge
--	--------------------------------	---	---	--	--	---------------------------------	--

**Bold items are most common.**

Port size	Description	Order code†	Flow‡ dm <sup>3</sup> /s (scfm)	Max. bar (psig)	Height mm (inches)	Width mm (inches)	Depth mm (inches)
1/4"	Poly bowl - No drain	<b>P32LA92LGNN</b>	18 (38)	10 (150)	211 (8.30)	60 (2.36)	60 (2.36)
1/4"	Metal bowl - No drain	<b>P32LA92LSNN</b>	18 (38)	17 (250)	211 (8.30)	60 (2.36)	60 (2.36)
3/8"	Poly bowl - No drain	<b>P32LA93LGNN</b>	32 (68)	10 (150)	211 (8.30)	60 (2.36)	60 (2.36)
3/8"	Metal bowl - No drain	<b>P32LA93LSNN</b>	32 (68)	17 (250)	211 (8.30)	60 (2.36)	60 (2.36)
1/2"	Poly bowl - No drain	<b>P32LA94LGNN</b>	47 (100)	10 (150)	211 (8.30)	60 (2.36)	60 (2.36)
1/2"	Metal bowl - No drain	<b>P32LA94LSNN</b>	47 (100)	17 (250)	211 (8.30)	60 (2.36)	60 (2.36)

† Standard part numbers shown in bold. For other models refer to Options chart above.

‡ Flow with 6.3 bar (91.3 psig) inlet pressure and 0.34 bar (4.9 psig) pressure drop.

**Specifications**

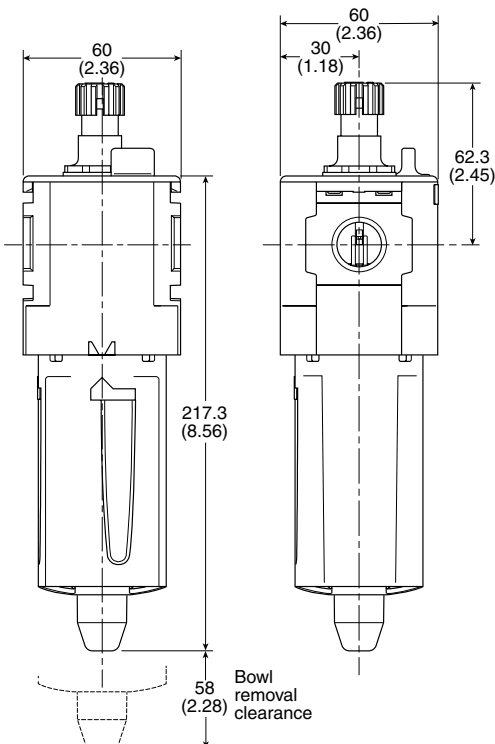
Flow capacity*	1/4	18 dm <sup>3</sup> /s (38 scfm)
	3/8	32 dm <sup>3</sup> /s (68 scfm)
	1/2	47 dm <sup>3</sup> /s (100 scfm)
Operating temperature	Plastic bowl	-10°C to 52°C (14°F to 125°F)
	Metal bowl	-10°C to 65.5°C (14°F to 150°F)
Max. supply pressure	Plastic bowl	10 bar (150 psig)
	Metal bowl	17 bar (250 psig)
Useful retention		121 cm <sup>3</sup> (4.09 US oz.)
Port size	BSPP / BSPT / NPT	1/4, 3/8, 1/2
Weight		0.31 kg (0.68 lbs)

\* Inlet pressure 6.3 bar (91.3 psig). Pressure drop 0.34 bar (4.9 psig).

**Material Specifications**

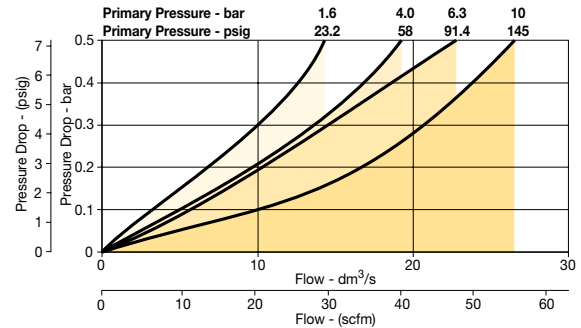
Body	Aluminum	
Body cap	ABS	
Bowls	Plastic bowl	Polycarbonate
	Metal bowl	Aluminum
Seals	Nitrile	
Sight dome	Polycarbonate	
Sight gauge	Metal bowl	Polycarbonate
Suggested lubricant	ISO / ASTM VG32	
Pick-up filter	Sintered bronze	

**Dimensions mm (inches)**

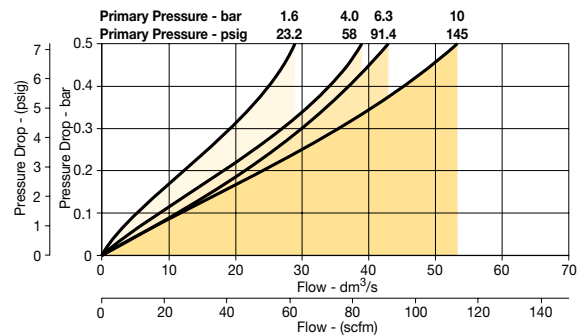


**Flow Charts**

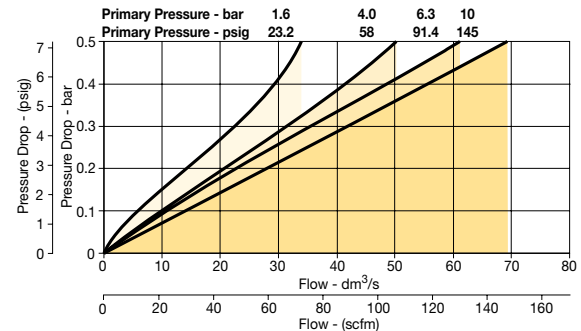
**1/4 Lubricator**



**3/8 Lubricator**



**1/2 Lubricator**



**Repair and Service Kits**

Plastic bowl / Bowl guard no drain	<b>P32KA00BGN</b>
Drip control assembly	<b>P32KA00PG</b>
Fill plug	<b>P32KA00PL</b>
L-bracket (fits to body)	<b>P32KA00ML</b>
T-bracket (fits to body connector)	<b>P32KA00MB</b>
T-bracket with body connector	<b>P32KA00MT</b>
Body connector	<b>P32KA00CB</b>

**Suggested Lubricant ..... F442 Oil**

Petroleum based oil of 100 to 200 SUS viscosity at 38°C (100°F) and an aniline point greater than 93°C (200°F)  
 (DO NOT USE OILS WITH ADDITIVES, COMPOUNDED OILS CONTAINING SOLVENTS, GRAPHITE, DETERGENTS, OR SYNTHETIC OILS.)

**B**

- Introduction
- Combs
- Filters
- Coalescers
- Regulators
- Filter / Regulators
- Lubricators
- Accessories