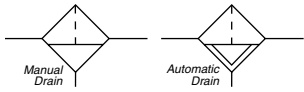
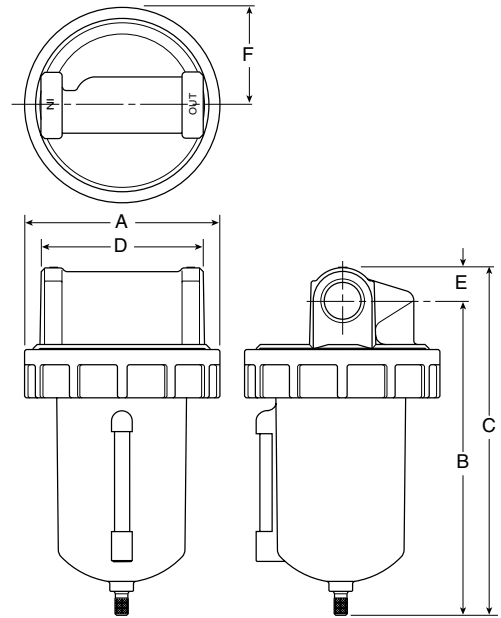


**F602 Filters – Hi-Flow**



**Features**

- Excellent water removal efficiency
- For heavy duty applications with minimum pressure drop requirement.
- Unique deflector plate that creates swirling of the air stream ensuring maximum water and dirt separation.
- Large filter element surface guarantees low pressure drop and increased element life.
- 40 micron filter element standard, 5 micron available.
- Metal bowl with sight gauge standard.
- Twist drain as standard, optional auto drain.
- Large bowl capacity.
- Optional high capacity bowl(s) available.
- High Flow: 3/4" – 270 SCFM<sup>§</sup>  
 1" – 300 SCFM<sup>§</sup>



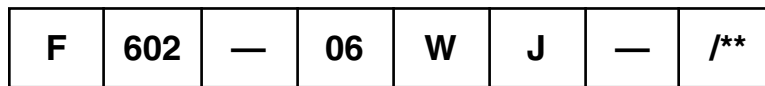
| Port Size                               | NPT              |                     |
|---|------------------|---------------------|
|   | Twist Drain      | Internal Auto Drain |
| Metal Bowl / Sight Gauge - 16 oz.       |                  |                     |
| 3/4"                                    | <b>F602-06WJ</b> | <b>F602-06WJR</b>   |
| 1"                                      | <b>F602-08WJ</b> | <b>F602-08WJR</b>   |
| Metal Bowl without Sight Gauge - 32 oz. |                  |                     |
| 3/4"                                    | F602-06EJ        | F602-06EJR          |
| 1"                                      | F602-08EJ        | F602-08EJR          |

| F602-06W, F602-08W<br>Filter Dimensions |                |                |               |              |              |
|---|----------------|----------------|---------------|--------------|--------------|
| A                                       | B              | C              | D             | E            | F            |
| 4.90<br>(124)                           | 7.88<br>(200)  | 8.72<br>(221)  | 4.06<br>(103) | 0.84<br>(21) | 2.45<br>(62) |
| F602-06E, F602-08E<br>Filter Dimensions |                |                |               |              |              |
| A                                       | B              | C              | D             | E            | F            |
| 4.90<br>(124)                           | 11.10<br>(282) | 11.94<br>(303) | 4.06<br>(103) | 0.84<br>(21) | 2.45<br>(62) |

inches (mm)

Standard part numbers shown bold.  
 For other models refer to ordering information below.  
<sup>§</sup> SCFM = Standard cubic feet per minute at 90 psig inlet and 5 psig pressure drop.

**Ordering Information**



| Port Threads |
|--------------|
| — NPT        |
| G BSPP       |

| Port Size   |
|-------------|
| 06 3/4 Inch |
| 08 1 Inch   |

| Bowl  |
|---|
| E 32 oz. Large Capacity Metal without Sight Gauge |
| <b>W 16 oz. Metal with Sight Gauge</b>            |

| Element            |
|--------------------|
| G 5 Micron         |
| <b>J 40 Micron</b> |

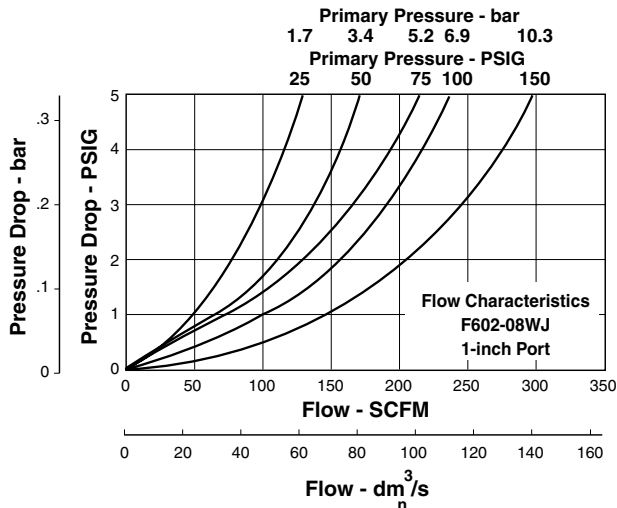
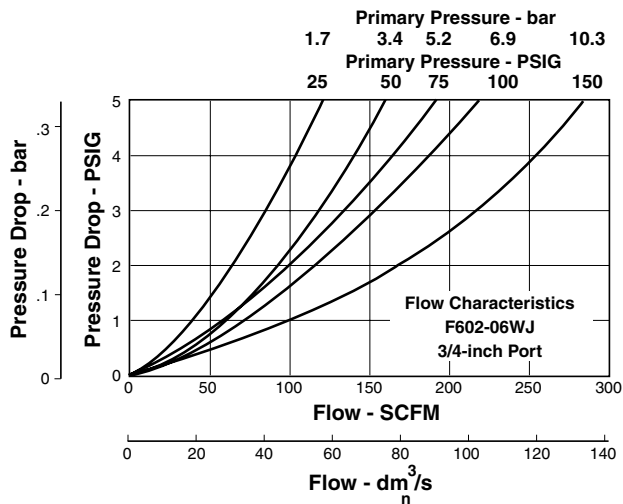
| Drains and Options               |
|----------------------------------|
| <b>Blank</b> Manual Twist Drain  |
| Q External Heavy Duty Auto Drain |
| <b>R</b> Internal Auto Drain     |
| U Semi-Auto Drain                |

| Engineering Level             |
|-------------------------------|
| * Will be Entered at Factory. |

**BOLD ITEMS ARE MOST POPULAR.**

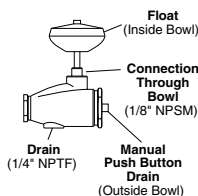


**Technical Information**



**“Q” Option External Heavy Duty Auto Drain  
 SA602D / SA603D**

For heavy duty applications where the filter is being used to remove large volumes of liquid and/or particulate matter from the airstream, the external automatic drain (“Q” option) should be used.



**F602 Filter Kits & Accessories**

- Bowl Kits –**  
 Aluminum (E) 32 oz. .... BK603B  
 Zinc with Sight Gauge (W) 16 oz. .... BK605WB
- Drain Kits –**  
 External Auto (E) 32 oz. .... SA603D  
 External Auto (W) 16 oz. .... SA602D  
 Internal Auto (All) .... SA602MD  
 Manual (All) .... SA600Y7-1  
 Semi-Automatic “Overnight” Drain .... SA602A7  
 (Drains automatically under zero pressure)
- Filter Element Kits –**  
 40 Micron (All) .... EK602B  
 5 Micron (All) .... EK602VB
- Mounting Bracket Kit  
 (Pair or 2 Kits Pipe Mounted Brackets needed) –**  
 (3/4" Unit) .... SA200AW57  
 (1" Unit) .... SA200CW57
- Repair Kits –**  
 Deflector, Baffle Assembly, and Retaining Rod (E,W) ..... RK602B  
 External Auto Drain (All) .... RK602D  
 Internal Auto Drain (All) .... RK602MD  
 Metal Bowl with Sight Gauge (W) 16 oz. .... RKB605WB

**Specifications**

- Bowl Capacity –**  
 Aluminum Bowl (E) 32 oz. .... 32 Ounces  
 Zinc Bowl (W) 16 oz. .... 16 Ounces
- Port Threads** ..... 3/4, 1 Inch
- ( ) = Bowl Type

**Pressure & Temperature Ratings –**

- Aluminum Bowl (E) 32 oz. – 0 to 300 psig (0 to 20.4 bar)  
 40°F to 150°F (4.4°C to 65.6°C)
- Zinc (W) 16 oz. – 0 to 250 psig (0 to 17.2 bar)  
 40°F to 150°F (4.4°C to 65.6°C)
- With Internal Auto Drain (R) – 20 to 175 psig (1.4 to 11.9 bar)  
 40°F to 125°F (4.4°C to 52°C)
- With External Auto Drain (Q) – 0 to 250 psig (0 to 17.2 bar)  
 40°F to 150°F (4.4°C to 65.6°C)

**Weight –**

- Aluminum Bowl (E) 32 oz. .... 7 lb. (3.18 kg) / Unit  
 28 lb. (12.70 kg) / 4-Unit Master Pack
- Zinc Bowl (W) 16 oz. .... 6.3 lb. (2.86 kg) / Unit  
 25 lb. (11.34 kg) / 4-Unit Master Pack

**Materials of Construction**

- Body** ..... Zinc
- Bowls –**  
 (E) 32 oz. .... Aluminum without Sight Gauge  
 (W) 16 oz. .... Zinc with Sight Gauge
- Drain –**  
 Manual Twist & Overnight ..... Brass  
 Housing “R” ..... Acetal  
 Housing “Q” ..... Bronze
- Filter Elements –**  
 40 Micron (Standard) ..... Polypropylene  
 5 Micron (Optional) ..... Polypropylene
- Seals** ..... Nitrile
- Sight Gauge** ..... Nylon

|                     |
|---------------------|
| C                   |
| Product Selection   |
| Filters             |
| Coalescers          |
| Regulators          |
| Filter / Regulators |
| Lubricators         |
| Combos              |
| Accessories         |

