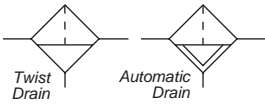
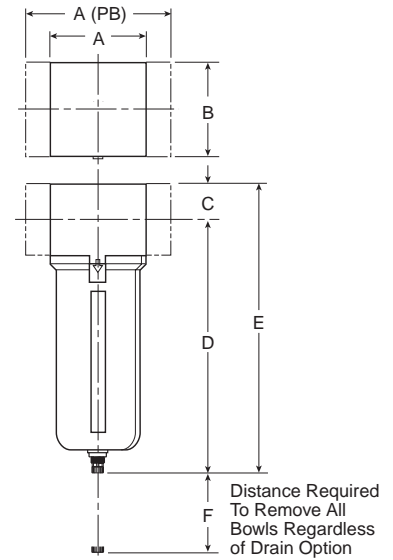


P3NF Filters – Hi-Flow



Features

- Port blocks (PB) available to provide 1-1/2" port extension to 1" ported bodies.
- Excellent water removal efficiency.
- Metal bowl with sight gauge.
- Large filter element surface guarantees low pressure drop and increased element life.
- Twist Drain as standard, optional automatic float drain.
- High Flow: 3/4" – 270 SCFM[§]
 1" – 300 SCFM[§]
 1-1/2" – 310 SCFM[§]



Distance Required To Remove All Bowls Regardless of Drain Option

Port Size	NPT	
	Twist Drain	Automatic Float Drain
Metal Bowl / Sight Gauge		
3/4"	P3NFA96GSM	P3NFA96GSA
1"	P3NFA98GSM	P3NFA98GSA
1-1/2" #	P3NFA9PGSM	P3NFA9PGSA

P3NF Filter Dimensions		
A	A (PB)	B
3.62 (92)	5.91 (150)	3.62 (92)
C	D†	E†
1.38 (35)	9.57 (243)	10.95 (278)
F		
4.92 (125)		

Inches (mm)
 † With Twist Drain or Automatic Float Drain

Standard part numbers shown bold. For other models refer to ordering information below.

1" Port Body with 1-1/2" Port Block.

§ SCFM = Standard cubic feet per minute at 90 psig inlet and 5 psig pressure drop, with 40 micron element.

Ordering Information



Design Level

Port Type
1* G Thread (BSPP) Female
2 Rc Thread (BSPT) Female
9 NPT Female

* 3/4 & 1 inch meet ISO 1179-1 Standard.

Port Size
6 3/4" (w/o Port Blocks)
8 1" (w/o Port Blocks)
P 1-1/2" Port Blocks (w/ 1" Ported Body)

Element
<u>w/o DPI Indicator</u>
A Adsorber
E 5 Micron
G 40 Micron
<u>w/ DPI Indicator</u>
B Adsorber
F 5 Micron
H 40 Micron

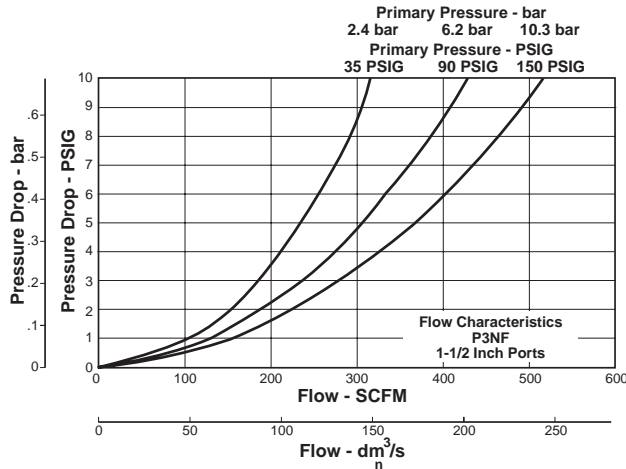
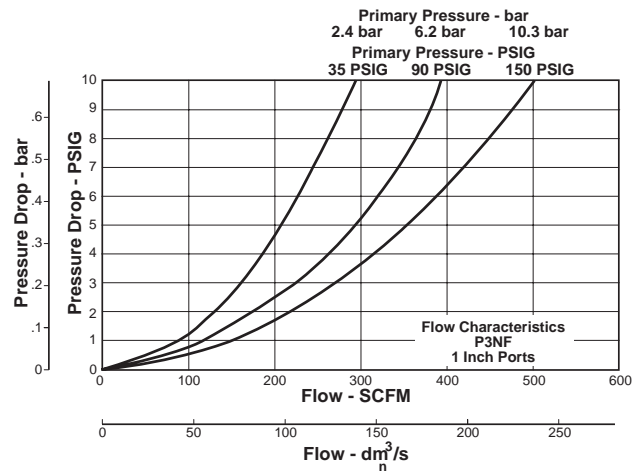
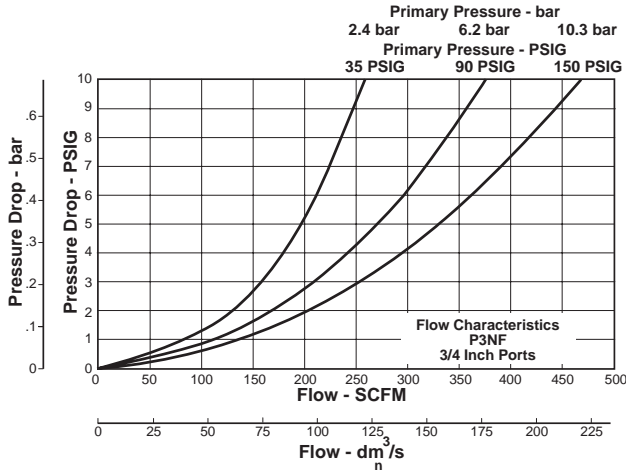
Bowl
S Metal Bowl w/ Sight Gauge

Drain
M Twist Drain
A Automatic Float Drain

BOLD ITEMS ARE MOST POPULAR.



Technical Information



P3NF Filter Kits & Accessories

- Bowl Kits –**
 Metal Bowl –
 Sight Gauge / Automatic Float Drain P3NKA00BSA
 Sight Gauge / Twist Drain P3NKA00BSM
 Sight Gauge / Push 'N' Drain P3NKA00BSP
- Bowl Latch Kit** C11A33
- DPI Replacement Kit** PS781P
- Drain Kit –**
 Automatic Float Drain PS506P
 Twist Drain PS512P
- Filter Elements –**
 40 Micron P3NKA00ESG
 5 Micron P3NKA00ESE
 Adsorber P3NKA00ESA
- Mounting Bracket Kit*** P3NKA00MW
- Sight Gauge Kit** P3NKA00PE

Specifications

- Pressure & Temperature Rating –**
 0 to 250 psig (0 to 17 bar) 32°F to 175°F (0°C to 80°C)
 Automatic Float Drain – 15 to 250 psig (1.0 to 17 bar)
- Bowl Capacity** 18.0 Ounces
- Sump Capacity** 6.8 Ounces
- Weight –**
 3/4" 3.5 lb. (1.6 kg)
 1" 3.5 lb. (1.6 kg)
 1-1/2" # 4.6 lb. (2.1 kg)

Materials of Construction

- Body** Aluminum
- Deflector** Plastic
- Drain** Plastic
- Filter Elements –**
 40 Micron (Standard) Plastic
 5 Micron (Optional) Plastic
 Adsorber (Optional) Activated Charcoal
- Seals** Nitrile
- Sight Gauge** Polyamide (Nylon)

* If 1-1/2 BSPP E02 fittings are required, use P3NKA00BMW.

1" Port Body with 1-1/2" Port Block.



C
Product Selector
Filters
Coalescers
Regulators
Filter / Regulators
Lubricators
Combos
Accessories