

# P32 Compact Coalescing and Adsorber Filter



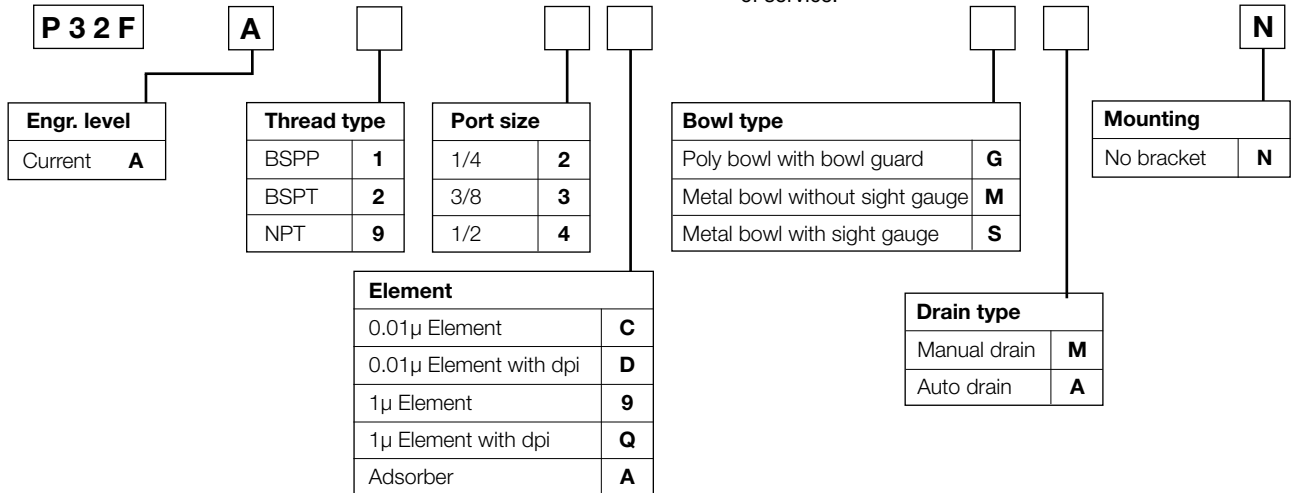
## Features

- Integral 1/4", 3/8" or 1/2" ports (NPT, BSPP & BSPT)
- Removes liquid aerosols and sub micron particles
- Oil free air for critical applications, such as air gauging, pneumatic instrumentation and control
- Differential Pressure Indicator (DPI) standard on Coalescing Filters
- Positive bayonet latch to ensure correct & safe fitting
- Adsorbing activated carbon element removes oil vapors and most hydrocarbons

**Note:** To optimize the life of coalescing element, it is advisable to install a P32F pre-filter with a 5 micron element upstream of the coalescing filter.

To optimize the life of an Adsorber it is advisable to install a P32 Coalescing Filter upstream of the Adsorber. Adsorber element should be replaced approximately every 1000 hours of service.

## Ordering Information



Port size	Description	Order Code†	Flow‡ dm <sup>3</sup> /s (scfm)	Max. bar (psig)	Height mm (inches)	Width mm (inches)	Depth mm (inches)
1/4"	Poly bowl - 0.01 Micron, Manual drain	<b>P32FA92DGMN</b>	11 (23)	10 (150)	209 (8.2)	60 (2.36)	60 (2.36)
1/4"	Poly bowl - 0.01 Micron, Auto drain	<b>P32FA92DGAN</b>	11 (23)	10 (150)	203 (8.0)	60 (2.36)	60 (2.36)
1/4"	Metal bowl - 0.01 Micron, Manual drain	<b>P32FA92DSMN</b>	11 (23)	17 (250)	209 (8.2)	60 (2.36)	60 (2.36)
1/4"	Metal bowl - 0.01 Micron, Auto drain	<b>P32FA92DSAN</b>	11 (23)	17 (250)	203 (8.0)	60 (2.36)	60 (2.36)
3/8"	Poly bowl - 0.01 Micron, Manual drain	<b>P32FA93DGMN</b>	11 (23)	10 (150)	209 (8.2)	60 (2.36)	60 (2.36)
3/8"	Poly bowl - 0.01 Micron, Auto drain	<b>P32FA93DGAN</b>	11 (23)	10 (150)	203 (8.0)	60 (2.36)	60 (2.36)
3/8"	Metal bowl - 0.01 Micron, Manual drain	<b>P32FA93DSMN</b>	11 (23)	17 (250)	209 (8.2)	60 (2.36)	60 (2.36)
3/8"	Metal bowl - 0.01 Micron, Auto drain	<b>P32FA93DSAN</b>	11 (23)	17 (250)	203 (8.0)	60 (2.36)	60 (2.36)
1/2"	Poly bowl - 0.01 Micron, Manual drain	<b>P32FA94DGMN</b>	11 (23)	10 (150)	209 (8.2)	60 (2.36)	60 (2.36)
1/2"	Poly bowl - 0.01 Micron, Auto drain	<b>P32FA94DGAN</b>	11 (23)	10 (150)	203 (8.0)	60 (2.36)	60 (2.36)
1/2"	Metal bowl - 0.01 Micron, Manual drain	<b>P32FA94DSMN</b>	11 (23)	17 (250)	209 (8.2)	60 (2.36)	60 (2.36)
1/2"	Metal bowl - 0.01 Micron, Auto drain	<b>P32FA94DSAN</b>	11 (23)	17 (250)	203 (8.0)	60 (2.36)	60 (2.36)

† Standard part numbers shown in bold. For other models refer to Ordering Information chart above.

‡ Flow with 6.3 bar (91.3 psig) inlet pressure and 0.2 (3 psig) pressure drop.

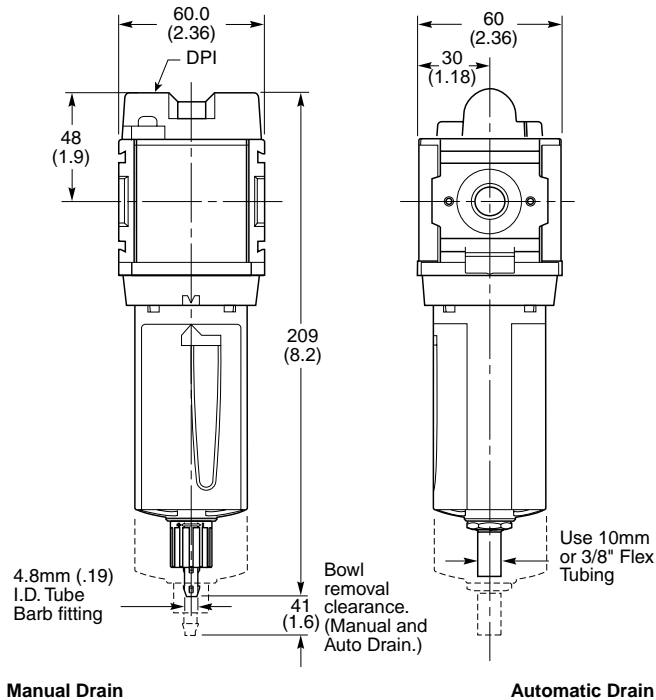


**Specifications**

Flow Capacity		dm <sup>3</sup> /s	SCFM
1.0 Micron Coalescing	Energy Efficient Flow*	17	(36)
	Maximum Flow**	27	(57)
0.01 Micron Coalescing	Energy Efficient Flow*	11	(23)
	Maximum Flow**	28	(38)
Activated Carbon Adsorber Rated Flow*		27	(57)
Operating Temperature	Plastic Bowl	-25°C to 52°C (-13°F to 125°F)	
	Metal Bowl	-25°C to 65.5°C (-13°F to 150°F)	
Max. Supply Pressure	Plastic Bowl	10 bar (150 psig)	
	Metal Bowl	17 bar (250 psig)	
Standard Filtration		1.0 and 0.01 Micron	
Adsorber Max. oil carryover (ppm w/w)		0.003 @ 21°C (70°F)	
Useful Retention†		51 cm <sup>3</sup> (1.7 US oz.)	
Port Size	BSPP / BSPT / NPT	1/4, 3/8, 1/2	
Weight		0.32 kg (0.71 lbs)	

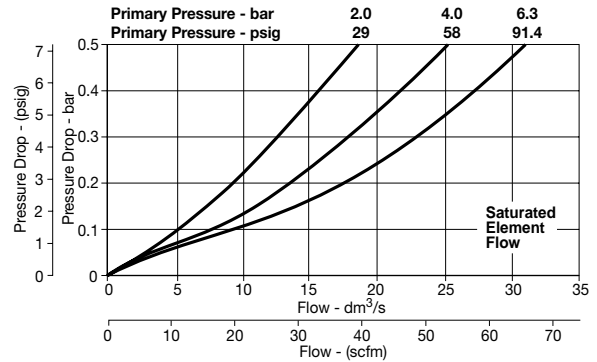
\* Inlet pressure 6.3 bar (91.3 psig), Pressure drop 0.2 bar (3 psig), Saturated Element.  
 \*\* Inlet pressure 6.3 bar (91.3 psig), Pressure drop 0.4 bar (6 psig), Saturated Element.  
 † Useful retention refers to volume below the quiet zone baffle.

**Dimensions**  
 mm (inches)

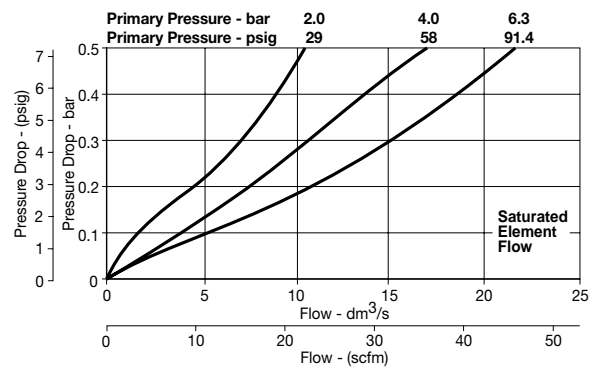


**Flow Charts**

**P32 - 1.0 micron flow**



**P32 - 0.01 micron flow**



**Materials of Construction**

Body	Aluminum	
Body Cap	ABS	
Bowls	Plastic Bowl	Polycarbonate
	Metal Bowl	Aluminum
Filter Element	1.0 and .01 Micron	Borosilicate Cloth
Adsorber	Activated Carbon	
Seals	Nitrile	
Sight Gauge	Metal Bowl	Polycarbonate

**Repair and Service Kits**

Plastic bowl / Bowl guard manual drain	<b>P32KA00BGM</b>
Metal bowl / Sight gauge manual drain	<b>P32KA00BSM</b>
Auto drain	<b>P32KA00DA</b>
1µ coalescing filter element	<b>P32KA00ES9</b>
0.01µ coalescing filter element	<b>P32KA00ESC</b>
Activated carbon adsorber filter element	<b>P32KA00ESA</b>
L-Bracket (fits to body)	<b>P32KA00ML</b>
T-Bracket (fits to body connector)	<b>P32KA00MB</b>
T-Bracket with body connector	<b>P32KA00MT</b>
Body connector	<b>P32KA00CB</b>
Differential pressure indicator (replacement)	<b>P32KA00RQ</b>

**B**

- Introduction
- Combs
- Filters
- Coalescers
- Regulators
- Filter / Regulators
- Lubricators
- Accessories