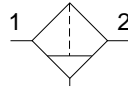


**P31 Mini Particulate Filter**

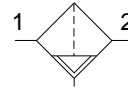
**B**



**Symbols**



Manual drain

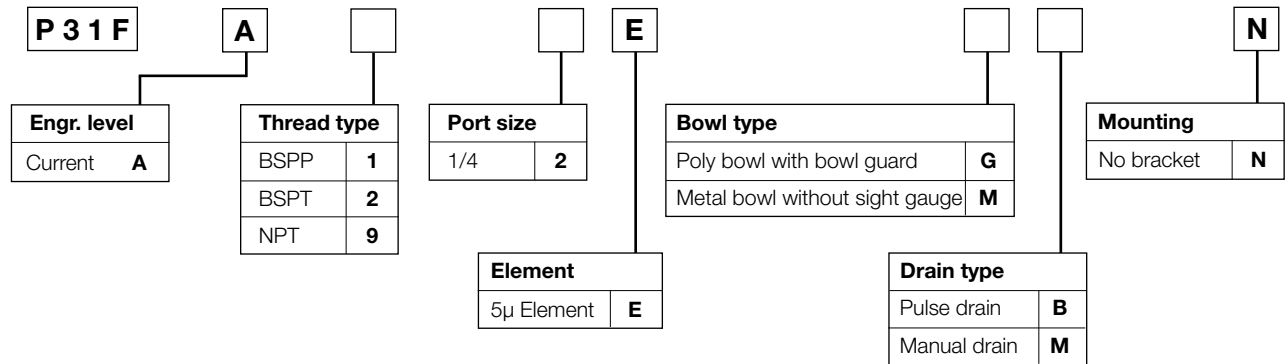


Auto drain

**Features**

- Integral 1/4" ports (NPT, BSPP & BSPT)
- High efficiency 5 micron element as standard
- Excellent water removal efficiency
- Robust but lightweight aluminum construction
- One hand operation for easy element cartridge removal
- Positive bayonet latch to ensure correct & safe fitting

**Ordering Information**



Port size	Description	Order Code†	Flow‡ dm <sup>3</sup> /s (scfm)	Max. bar (psig)	Height mm (inches)	Width mm (inches)	Depth mm (inches)
1/4"	Poly bowl - Manual drain	<b>P31FA92EGMN</b>	12 (25)	10 (150)	116.3 (4.58)	40 (1.58)	42.7 (1.68)
1/4"	Poly bowl - Pulse drain	<b>P31FA92EGBN</b>	12 (25)	10 (150)	116.3 (4.58)	40 (1.58)	42.7 (1.68)
1/4"	Metal bowl - Manual drain	<b>P31FA92EMMN</b>	12 (25)	17 (250)	116.3 (4.58)	40 (1.58)	42.7 (1.68)
1/4"	Metal bowl - Pulse drain	<b>P31FA92EMBN</b>	12 (25)	17 (250)	116.3 (4.58)	40 (1.58)	42.7 (1.68)

† Standard part numbers shown in bold. For other models refer to Ordering Information chart above.

‡ Flow with 6.3 bar (91.3 psig) inlet pressure and 0.34 (4.9 psig) pressure drop.

**Specifications**

Flow Capacity*	1/4	12 dm <sup>3</sup> /s (25 scfm)
Operating Temperature	Plastic Bowl	-10°C to 52°C (14°F to 125°F)
	Metal Bowl	-10°C to 65.5°C (14°F to 150°F)
Max. Supply Pressure	Plastic Bowl	10 bar (150 psig)
	Metal Bowl	17 bar (250 psig)
Standard Filtration		5 Micron
Useful Retention†		12 cm <sup>3</sup> (0.4 US oz.)
Port Size	BSPP / BSPT / NPT 1/4	
Weight		0.11 kg (0.24 lbs)

\* Inlet pressure 6.3 bar (91.3 psig). Pressure drop 0.34 bar (4.9 psig).  
 † Useful retention refers to volume below the quiet zone baffle.

**Air quality:**

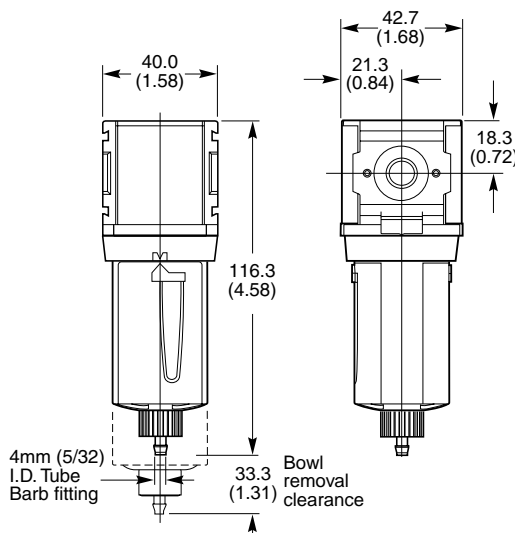
Within ISO 8573-1: 1991 Class 3 (Particulates)  
 Within ISO 8573-1: 2001 Class 6 (Particulates)

**Materials of Construction**

Body	Aluminum
Body Cap	ABS
Bowl	Polycarbonate
Bowl Guard	Nylon
Element Retainer	Acetal
Baffle	Acetal
Filter Element	Sintered Polyethylene
Seals	Nitrile

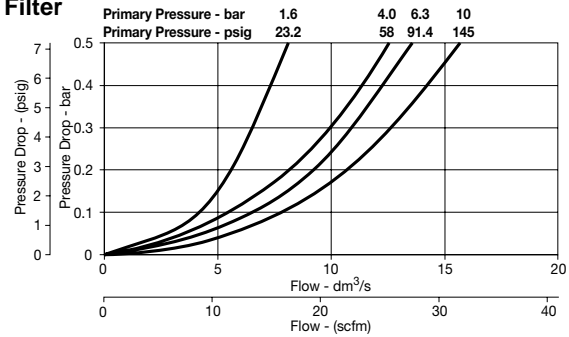
**Dimensions**

mm (inches)



**Flow Charts**

**1/4 Filter**



**Repair and Service Kits**

Plastic bowl / Bowl guard manual drain	<b>P31KA00BGM</b>
Metal bowl / w/o sight gauge manual drain	<b>P31KA00BMM</b>
Plastic bowl / Bowl guard pulse drain	<b>P31KA00BGB</b>
Metal bowl / w/o sight gauge pulse drain	<b>P31KA00BMB</b>
5µ particle filter element	<b>P31KA00ESE</b>
C-Bracket (fits to body)	<b>P31KA00MW</b>
T-Bracket with body connector	<b>P31KA00MT</b>
Body connector	<b>P31KA00CB</b>

<b>B</b>
Introduction
Combos
Filters
Coalescers
Regulators
Filter / Regulators
Lubricators
Accessories