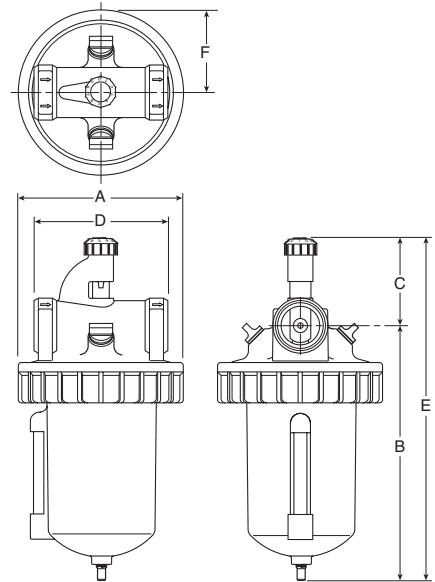


L606 Standard Lubricators



Features

- Metal Bowl with Sight Gauge - Standard
- Polycarbonate Sight Dome
- Bowl can be Filled while Air Line is Under Pressure
- Proportional Oil Delivery Over a Wide Range of Air Flows
- Large Capacity Bowl
- Optional High Capacity Bowl(s) Available
- Precision Needle Valve Assures Repeatable Oil Delivery and Provides Simple Adjustment of Delivery Rate
- High Flow: 3/4" - 325 SCFM[§]
 1" - 350 SCFM[§]



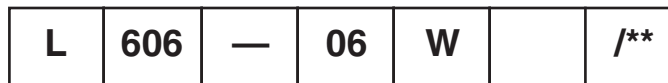
Port Size	NPT	BSPP
Zinc Bowl / Sight Gauge / Drain		
3/4"	L606-06W	L606G06W
1"	L606-08W	L606G08W
Aluminum Bowl 32 oz. without Sight Gauge, With Drain		
3/4"	L606-06E	L606G06E
1"	L606-08E	L606G08E
Aluminum Bowl 64 oz. with Sight Gauge, No Drain		
3/4"	L606-06G	L606G06G
1"	L606-08G	L606G08G

L606 Lubricator Dimensions					
A	B	C	D	E	F
L606-06W, L606-08W					
4.97 (126)	7.25 (184)	2.63 (66.7)	4.06 (103)	9.88 (251)	2.48 (63.1)
L606-06E, L606-08E					
4.97 (126)	10.75 (273)	2.63 (66.7)	4.06 (103)	13.38 (340)	2.48 (63.1)
L606-06G, L606-08G					
5.00 (127)	9.40 (239)	2.62 (66)	4.06 (103)	12.02 (305)	2.50 (64)

inches
(mm)

Bold Items are Most Popular.
For other models refer to ordering information below.
[§] SCFM = Standard cubic feet per minute at 100 psig inlet, and 5 psig pressure drop.

Ordering Information



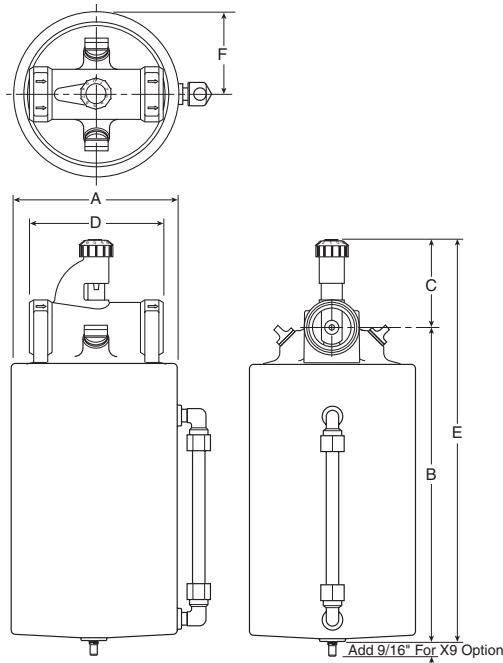
Port Threads	Port Size	Bowl			Options	Engineering Change Designator
— NPT G BSPP	06 3/4 Inch 08 1 Inch	Bowl Capacity	Description	Size	Blank None H Button Head Fill Fitting X9* Manual Twist Drain (Increases Product Length by 9/16 Inch)	Will be entered at factory.
		E 32 oz.	Large Capacity without Sight Gauge with Drain	3/4" & 1"		
		G 64 oz.	Large Capacity with Sight Gauge	3/4" & 1"		
		W 16 oz.	Metal with Sight Gauge & Drain	3/4" & 1"		

* Standard with "E" & "W" Bowl.
 Optional with "G" Bowl.

BOLD ITEMS ARE MOST POPULAR.



Technical Information



L606-08G

L606 Lubricator Kits & Accessories

- Adjusting Knob** 606Y72
- Bowl Kits –**

 - Aluminum (E)BK603B
 - Aluminum with Sight Gauge (G)BK606X30B
 - Zinc with Sight Gauge (W)BK609WB

- Button Head Fill Fitting** (M14 male thread)L606C14
- Dip Tube Kit** DTK606
- Drip Spout Kit** RK606SY
- Mounting Bracket –**

 - 3/4 Inch units (2 required per unit)SA200AW57
 - 1 Inch units (2 required per unit) SA200CW57

- Oil –1 Gal.**..... F442002

 - 12 Quart Case..... F442003
 - 4 Gallon Case F442005

- Repair Kits –**

 - Needle Valve Assembly (All)RK606Y
 - Sight Gauge Bowl Repair Kit (W)RKB605WB
 - Sight Gauge Bowl Repair Kit (G)RKB606X30B

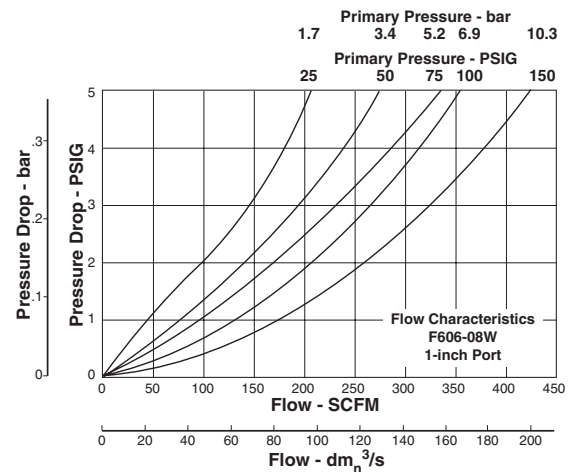
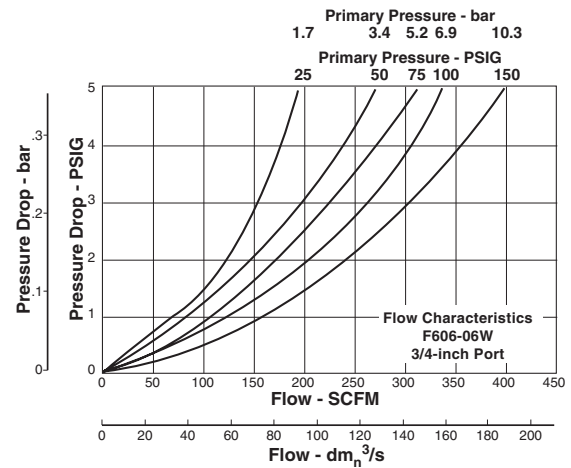
Specifications

- Bowl Capacity –**

 - Aluminum (E)32 Ounces
 - Aluminum with Polycarbonate Sight Gauge (G)64 Ounces
 - Zinc with Nylon Sight Gauge (W) 16 Ounces

- Port Threads** 3/4, 1 Inch
- Pressure & Temperature Ratings –**

 - Aluminum Bowl (E)0 to 300 psig (0 to 20.4 bar)
 40°F to 150°F (4.4°C to 65.6°C)
 - Aluminum Bowl with
 Polycarbonate Sight Gauge (G) 0 to 150 psig (0 to 10.2 bar)
 40°F to 125°F (4.4°C to 52°C)



- Zinc Bowl with
 Nylon Sight Gauge (W)..... 0 to 250 psig (0 to 17.2 bar)
 40°F to 150°F (4.4°C to 65.6°C)

Weight –

- Aluminum Bowl (E)5.5 lb. (2.49 kg) / Unit
 22.3 lb. (10.12 kg) / 4-Unit Master Pack
- Aluminum Bowl with
 Polycarbonate Sight Gauge (G)7.2 lb. (3.27 kg) / Unit
 28.8 lb. (13.06 kg) / 4-Unit Master Pack
- Zinc Bowl with
 Nylon Sight Gauge (W)..... 4.2 lb. (1.91 kg) / Unit
 16.6 lb. (7.53 kg) / 4-Unit Master Pack

Suggested Lubricant F442 Oil

Petroleum based oil of 100 to 200 SSU viscosity at 100°F (38°C) and an aniline point greater than 200°F (93°C).

(DO NOT USE OILS WITH ADDITIVES, COMPOUNDED OILS CONTAINING SOLVENTS, GRAPHITE, DETERGENTS, OR SYNTHETIC OILS.)

Materials of Construction

- Body**Zinc
- Bowls –**

 - (E)..... Aluminum
 - (G)..... Aluminum with Polycarbonate Sight Gauge
 - (W)..... Zinc with Nylon Sight Gauge

- Seals** Buna N



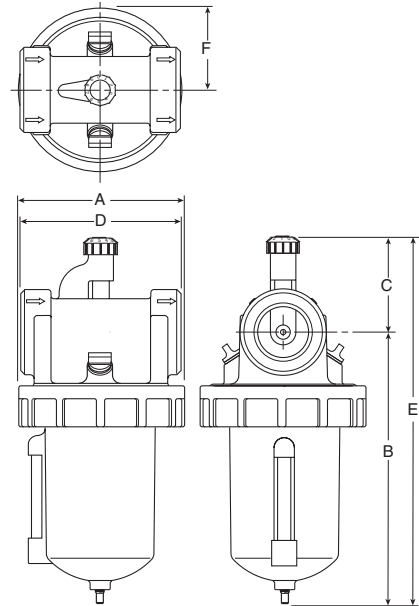
C	Product Selection
Filters	Coalescers
Regulators	Filter / Regulators
Lubricators	Combos
Accessories	

L606 Standard Lubricators



Features

- Metal Bowl with Sight Gauge - Standard
- Polycarbonate Sight Dome
- Bowl can be Filled while Air Line is Under Pressure
- Proportional Oil Delivery Over a Wide Range of Air Flows
- Large Capacity Bowl
- Optional High Capacity Bowl(s) Available
- Precision Needle Valve Assures Repeatable Oil Delivery and Provides Simple Adjustment of Delivery Rate
- High Flow: 1-1/4" - 325 SCFM[§]
 1-1/2" - 400 SCFM[§]



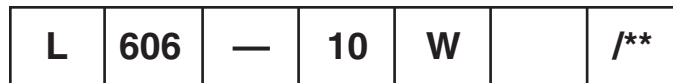
Port Size	NPT	BSPP
Zinc Bowl / Sight Gauge / Drain		
1-1/4"	L606-10W	L606G10W
1-1/2"	L606-12W	L606G12W
Aluminum Bowl 32 oz. without Sight Gauge, With Drain		
1-1/4"	L606-10E	L606G10E
1-1/2"	L606-12E	L606G12E
Aluminum Bowl 64 oz. with Sight Gauge, No Drain		
1-1/4"	L606-10G	L606G10G
1-1/2"	L606-12G	L606G12G

L606 Lubricator Dimensions					
A	B	C	D	E	F
L606-10W, L606-12W					
4.97 (126)	7.63 (194)	2.84 (72.2)	4.81 (122)	10.47 (266)	2.48 (63.1)
L606-10E, L606-12E					
4.97 (126)	11.13 (283)	2.84 (72.2)	4.81 (122)	13.97 (255)	2.48 (63.1)
L606-10G, L606-12G					
5.00 (127)	7.99 (203)	2.84 (72.2)	4.81 (122)	12.80 (325)	2.50 (64)

inches
(mm)

Bold Items are Most Popular.
For other models refer to ordering information below.
[§] SCFM = Standard cubic feet per minute at 100 psig inlet, and 5 psig pressure drop.

Ordering Information



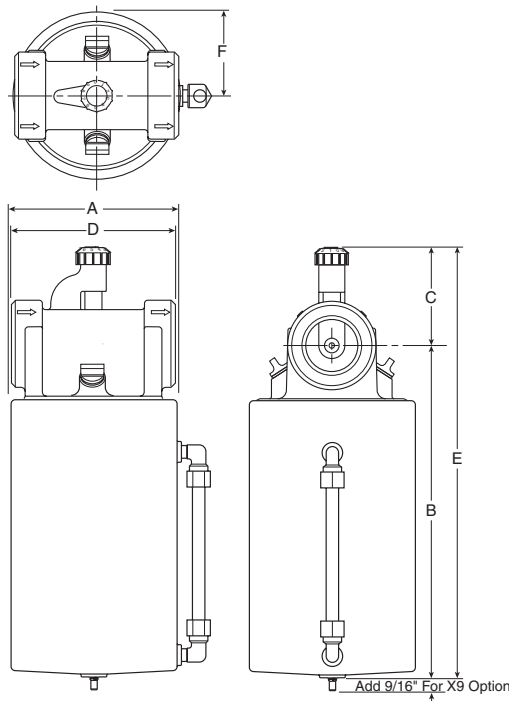
Port Threads	Port Size	Bowl			Options		Engineering Change Designator
— NPT G BSPP	10 1-1/4 Inch 12 1-1/2 Inch	Bowl Capacity	Description	Size	Blank	None	Will be entered at factory.
		E 32 oz.	Large Capacity without Sight Gauge with Drain	1-1/4" & 1-1/2"	H	Button Head Fill Fitting	
		G 64 oz.	Large Capacity with Sight Gauge	1-1/4" & 1-1/2"	X9*	Manual Twist Drain (Increases Product Length by 9/16 Inch)	
		W 16 oz.	Metal with Sight Gauge & Drain	1-1/4" & 1-1/2"			

* Standard with "E" & "W" Bowl. Optional with "G" Bowl.

BOLD ITEMS ARE MOST POPULAR.



Technical Information



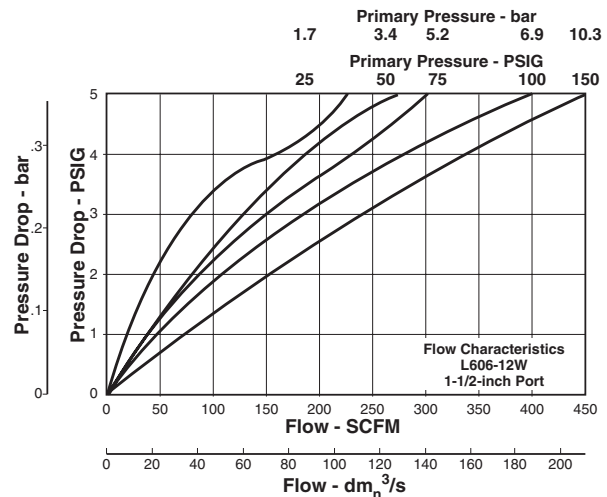
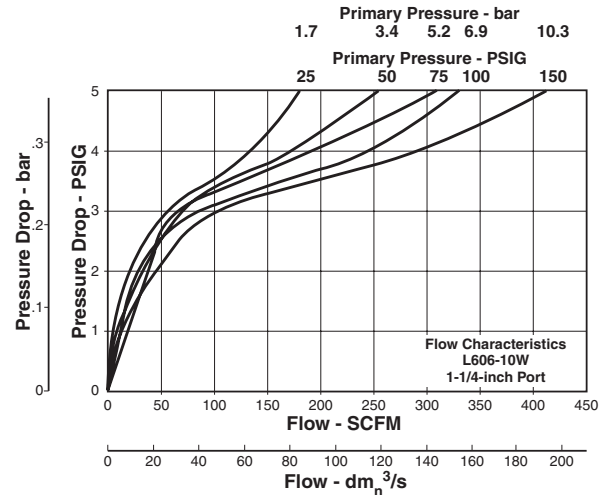
L606-12G

L606 Lubricator Kits & Accessories

- Adjusting Knob**606Y72
- Bowl Kits –**
- Aluminum (E)BK603B
- Aluminum with Sight Gauge (G)BK606X30B
- Zinc with Sight Gauge (W)BK609WB
- Button Head Fill Fitting (M14 male thread)**L606C14
- Dip Tube Kit**DTK606
- Drip Spout Kit**RK606SY
- Oil –** 1 Gal.F442002
- 12 Quart Case.....F442003
- 4 Gallon CaseF442005
- Repair Kits –**
- Needle Valve Assembly (All)RK606Y
- Sight Gauge Bowl Repair Kit (W)RKB605WB
- Sight Gauge Bowl Repair Kit (G)RKB606X30B

Specifications

- Bowl Capacity –**
- Aluminum (E)32 Ounces
- Aluminum with Polycarbonate Sight Gauge (G)64 Ounces
- Zinc with Nylon Sight Gauge (W)16 Ounces
- Port Threads**..... 1-1/4, 1-1/2 Inch
- Pressure & Temperature Ratings –**
- Aluminum Bowl (E)0 to 300 psig (0 to 20.4 bar)
40°F to 150°F (4.4°C to 65.6°C)
- Aluminum Bowl with
Polycarbonate Sight Gauge (G) 0 to 150 psig (0 to 10.2 bar)
40°F to 125°F (4.4°C to 52°C)
- Zinc Bowl with
Nylon Sight Gauge (W)..... 0 to 250 psig (0 to 17.2 bar)
40°F to 150°F (4.4°C to 65.6°C)



Weight –

- Aluminum Bowl (E)8.3 lb. (3.76 kg) / Unit
33.2 lb. (15.06 kg) / 4-Unit Master Pack
- Aluminum Bowl with
Polycarbonate Sight Gauge (G)10 lb. (4.54 kg) / Unit
40 lb. (18.14 kg) / 4-Unit Master Pack
- Zinc Bowl with
Nylon Sight Gauge (W) 7.5 lb. (3.40 kg) / Unit
28.2 lb. (12.79 kg) / 4-Unit Master Pack

Suggested Lubricant F442 Oil

Petroleum based oil of 100 to 200 SSU viscosity at 100°F (38°C) and an aniline point greater than 200°F (93°C).
 (DO NOT USE OILS WITH ADDITIVES, COMPOUNDED OILS CONTAINING SOLVENTS, GRAPHITE, DETERGENTS, OR SYNTHETIC OILS.)

Materials of Construction

- Body**Zinc
- Bowls –**
- (E).....Aluminum
- (G).....Aluminum with Polycarbonate Sight Gauge
- (W).....Zinc with Nylon Sight Gauge
- Seals** Buna N

C
Product Selection
Filters
Coalescers
Regulators
Filter / Regulators
Lubricators
Combos
Accessories

