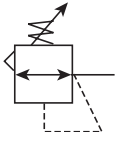
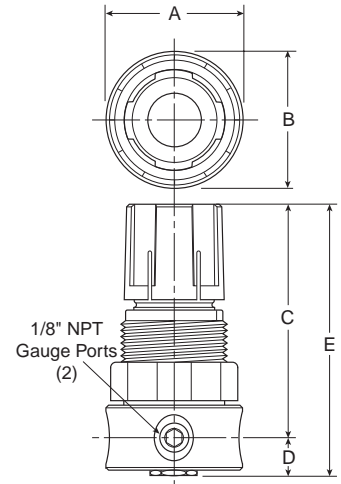


**20R Regulators – Miniature (Water Service)**



**Features**

- Rugged brass body for water service.
- Unbalanced poppet standard.
- Diaphragm operated for fast response.
- Non-rising adjusting knob.
- Compact, 3.06 inch (77.79mm) high by 1.56 inch (36.69mm) wide.
- High Flow: 1.25 GPM



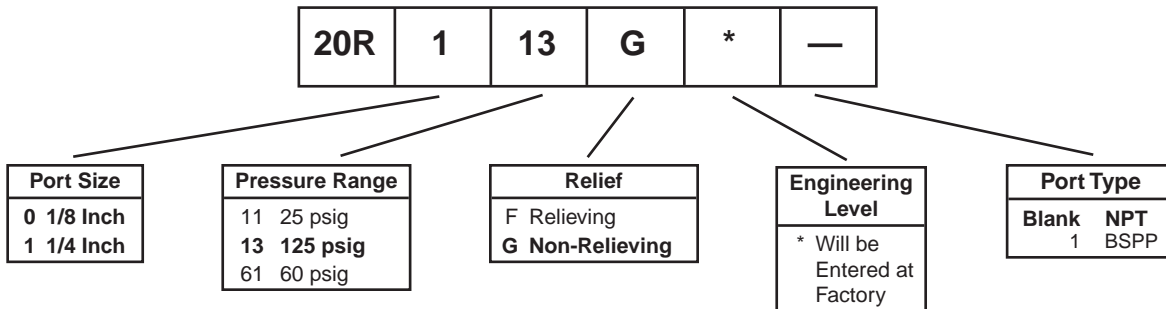
Port Size	NPT
Without Gauge	
1/8"	<b>20R013G*</b>
1/4"	<b>20R113G*</b>

20R Regulator Dimensions		
A	B	C
1.56 (40)	1.56 (40)	2.56 (65)
D	E	
0.50 (13)	3.06 (78)	

**Bold Items are Most Popular.**  
 For other models refer to ordering information below.  
 NOTE: 1.25 Dia. (32mm) hole required for panel mounting.

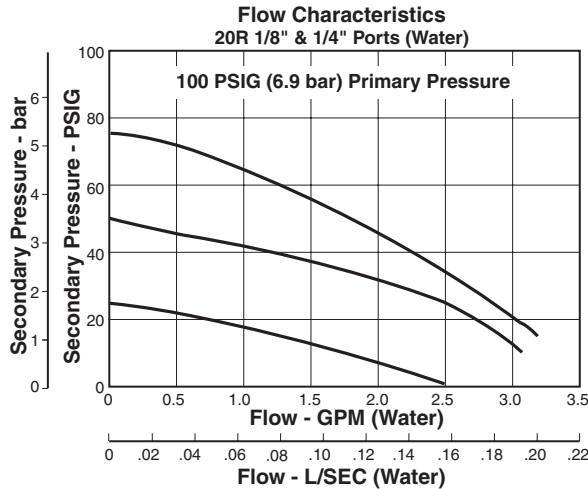
Inches (mm)

**Ordering Information**



**BOLD ITEMS ARE MOST POPULAR.**

Technical Information



**CAUTION:**

**REGULATOR PRESSURE ADJUSTMENT** – The working range of knob adjustment is designed to permit outlet pressures within their full range. Pressure adjustment beyond this range is also possible because the knob is not a limiting device. This is a common characteristic of most industrial regulators, and limiting devices may be obtained only by special design.

For best performance, regulated pressure should always be set by increasing the pressure up to the desired setting.

**⚠ WARNING**

**Product rupture can cause serious injury.  
Do not connect regulator to bottled gas.  
Do not exceed maximum primary pressure rating.**

**20R Regulator Kits & Accessories**

- Bonnet Kit .....PCKR364Y
- Bonnet Tamperproof Kit .....PCKR364T
- Panel Mount Nut – Aluminum .....R05X51-A  
Plastic .....R05X51-P
- Mounting Bracket Kit .....SA161X57
- Repair Kits – Relieving.....PRKR164Y  
Non-Relieving.....PRKR163Y

**Specifications**

- Gauge Ports (2) ..... 1/8 Inch
- Port Threads ..... 1/8, 1/4 Inch
- Pressure Rating – Maximum .....0 to 300 psig (0 to 20.7 bar)
- Secondary Pressure Ranges –  
Standard Pressure.....2 to 125 psig (0 to 8.6 bar)  
Medium Pressure.....1 to 60 psig (0 to 4.1 bar)  
Medium Pressure.....1 to 25 psig (0 to 2.1 bar)
- Temperature Ratings ..... 32°F to 125°F (0°C to 52°C)
- Weight .....0.5 lb. (0.23 kg)

**Materials of Construction**

- Adjusting Nut & Stem ..... Steel
- Body, Valve Poppet, Bottom Plug, Diaphragm Button ..... Brass
- Bonnet, Knob ..... Plastic
- Seals, Diaphragm ..... Buna N
- Springs ..... Steel



- 
- Product Selection
- Filters
- Coalescers
- Regulators
- Filter / Regulators
- Lubricators
- Combos
- Accessories