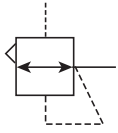
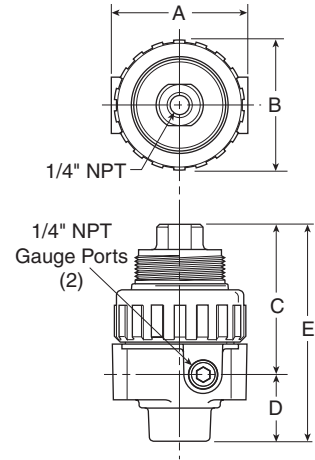


11R Pilot Controlled Regulator – Compact



Features

- Balanced poppet provides quick response and accurate pressure regulation.
- Pilot controlled regulators can be mounted “out of reach” with pilot regulator installed in a convenient location.
- Solid control piston for extended life.
- Two full flow 1/4" gauge ports can be used as additional outlets.
- Pilot port 1/4 Inch.
- High Flow: 1/4" – 85 SCFM§
 3/8" – 95 SCFM§
 1/2" – 95 SCFM§



Port Size	NPT
Without Gauge	
1/4"	11R115P*
3/8"	11R215P*
1/2"	11R315P*
With 160 PSI Gauge	
1/4"	11R121P*
3/8"	11R221P*
1/2"	11R321P*

11R Pilot Regulator Dimensions		
A	B	C
2.81 (71)	2.74 (70)	3.05 (77)
D	E	
1.39 (35)	4.44 (113)	

Inches (mm)

Standard part numbers shown bold. For other models refer to ordering information below.

NOTE: 2.00 Dia. (50,8mm) hole required for panel mounting.

§ SCFM = Standard cubic feet per minute at 100 psig inlet, 90 psig no flow secondary setting and 10 psig pressure drop.

⚠ WARNING

**Product rupture can cause serious injury.
 Do not connect regulator to bottled gas.
 Do not exceed maximum primary pressure rating.**

Ordering Information



Port Size
1 1/4 Inch
2 3/8 Inch
3 1/2 Inch

Relief / Gauge Options
<u>Without Gauge</u>
14 Non-Relieving Piston
15 Relieving Piston
<u>* With Gauge</u>
19 Non-Relieving Piston
21 Relieving Piston

* Includes 2" Dial Face Gauge 0 to 300 psig

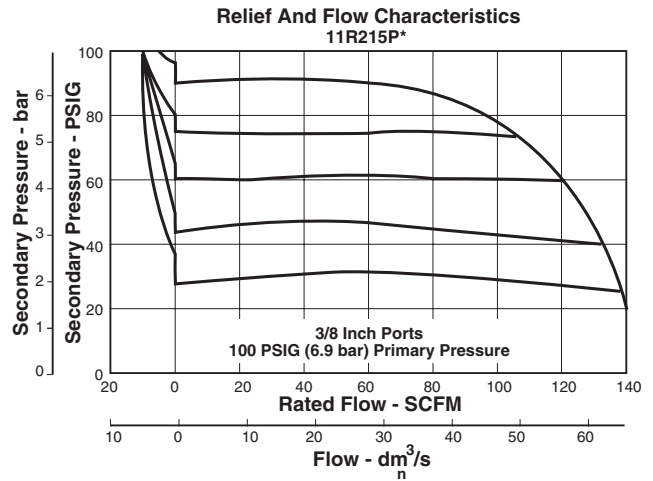
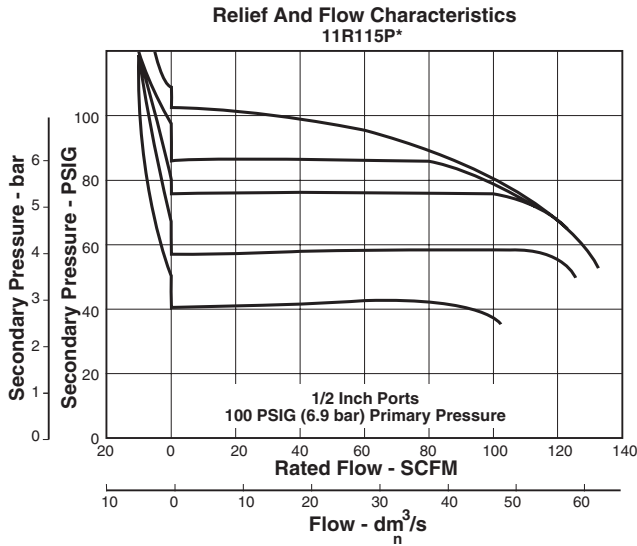
Adjustment
P Pilot Operated

Engineering Level
* Will be Entered at Factory

Port Type
Blank NPT
1 BSPP

BOLD ITEMS ARE MOST POPULAR.

Technical Information



11R Pilot Regulator Kits & Accessories

- Body Service Kits – Seat Insert Kit** PS713P
- Gauges – 60 psig (0 to 4.1 bar)** K4520N14060
- 160 psig (0 to 11.0 bar) K4520N14160
- 300 psig (0 to 20.0 bar) K4520N14300
- Mounting Bracket Kit (Includes Panel Mount Nut)** PS707P
- Panel Mount Nut – Plastic** P04082
- Metal P04079B
- Pilot Conversion Kit – Relieving** PS745P
- Service Kits – Non-Relieving** PS747P
- Relieving PS749P

Specifications

- Gauge Ports (2)** 1/4 Inch
 (Can be used as additional Full Flow 1/4 Inch Outlet Ports)
- Port Threads** 1/4, 3/8, 1/2 Inch
- Pressure & Temperature Rating –** 0 to 250 psig (0 to 17.2 bar)
 32°F to 175°F (0°C to 80°C)
- Weight** 1.3 lb. (0.58 kg.)

Materials of Construction

- Body & Pilot Cap** Zinc
- Piston, Valve Poppet, & Collar** Plastic
- Seals** Nitrile
- Springs** Steel

C	Product Selection
Filters	Coalescers
Regulators	Filter / Regulators
Lubricators	Compos
Accessories	

