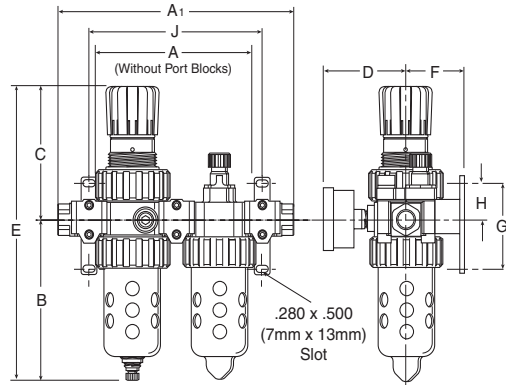
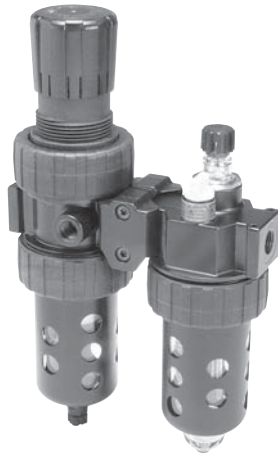
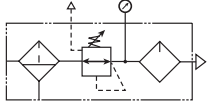


Model Numbers & Dimensions

Modular Combinations – 06 Compact & 07 Standard Series

• See individual component pages for details.

Two-Unit
Combo



Series	Model Numbers	Port	Model Numbers	Series
06H	06H12A13A2B*	1/4"	16H12A13A2B*	16H
	06H22A13A2B*	3/8"	16H22A13A2B*	
	06H32A13A2B*G	1/2"†	16H32A13A2B*G	
07H	07H32A13A2B*	1/2"	17H32A13A2B*	17H
	07H42A13A2B*	3/4"	17H42A13A2B*	

For other models, refer to ordering information on next page.

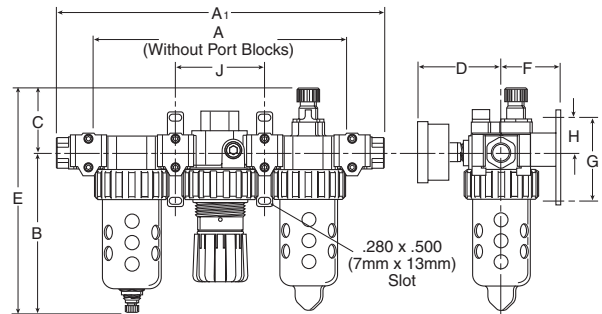
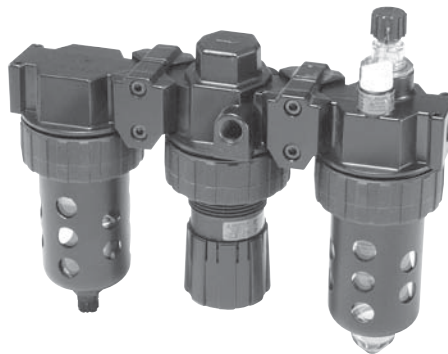
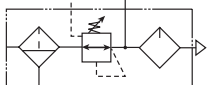
† 06 / 16 Available with Port Blocks Only.

06H, 16H Series					
A 6.10 (155)	A ₁ 9.04 (230)	B 5.69 (145)	C 4.69 (119)	D 3.18 (81)	E 10.38 (264)
F 2.00 (51)	G 3.58 (91)	H 1.40 (36)	J 6.65 (169)		
07H, 17H Series					
A 7.00 (178)	A ₁ 10.28 (261)	B 6.97 (177)	C 4.79 (122)	D 3.44 (87)	E 11.76 (299)
F 2.09 (53)	G 3.58 (91)	H 1.40 (36)	J 7.51 (191)		

Inches (mm)

• All dimensions nominal.

Three-Unit
Combo



Series	Model Numbers	Port	Model Numbers	Series
06B	06B12A13A2B*	1/4"	16B12A13A2B*	16B
	06B22A13A2B*	3/8"	16B22A13A2B*	
	06B32A13A2B*G	1/2"†	16B32A13A2B*G	
07B	07B32A13A2B*	1/2"	17B32A13A2B*	17B
	07B42A13A2B*	3/4"	17B42A13A2B*	

For other models, refer to ordering information on next page.

† 06 / 16 Available with Port Blocks Only.

06B, 16B Series					
A 9.46 (240)	A ₁ 12.39 (315)	B 5.69 (145)	C 2.24 (57)	D 3.18 (81)	E 7.93 (202)
F 2.00 (51)	G 3.58 (91)	H 1.40 (36)	J 3.33 (85)		
07B, 17B Series					
A 10.750 (273)	A ₁ 14.03 (356)	B 6.97 (177)	C 2.41 (61)	D 3.44 (87)	E 9.38 (238)
F 2.18 (55)	G 3.58 (91)	H 1.40 (36)	J 3.76 (95)		

Inches (mm)

• All dimensions nominal.



Product Selection

Filters

Coalescers

Regulators

Filter / Regulators

Lubricators

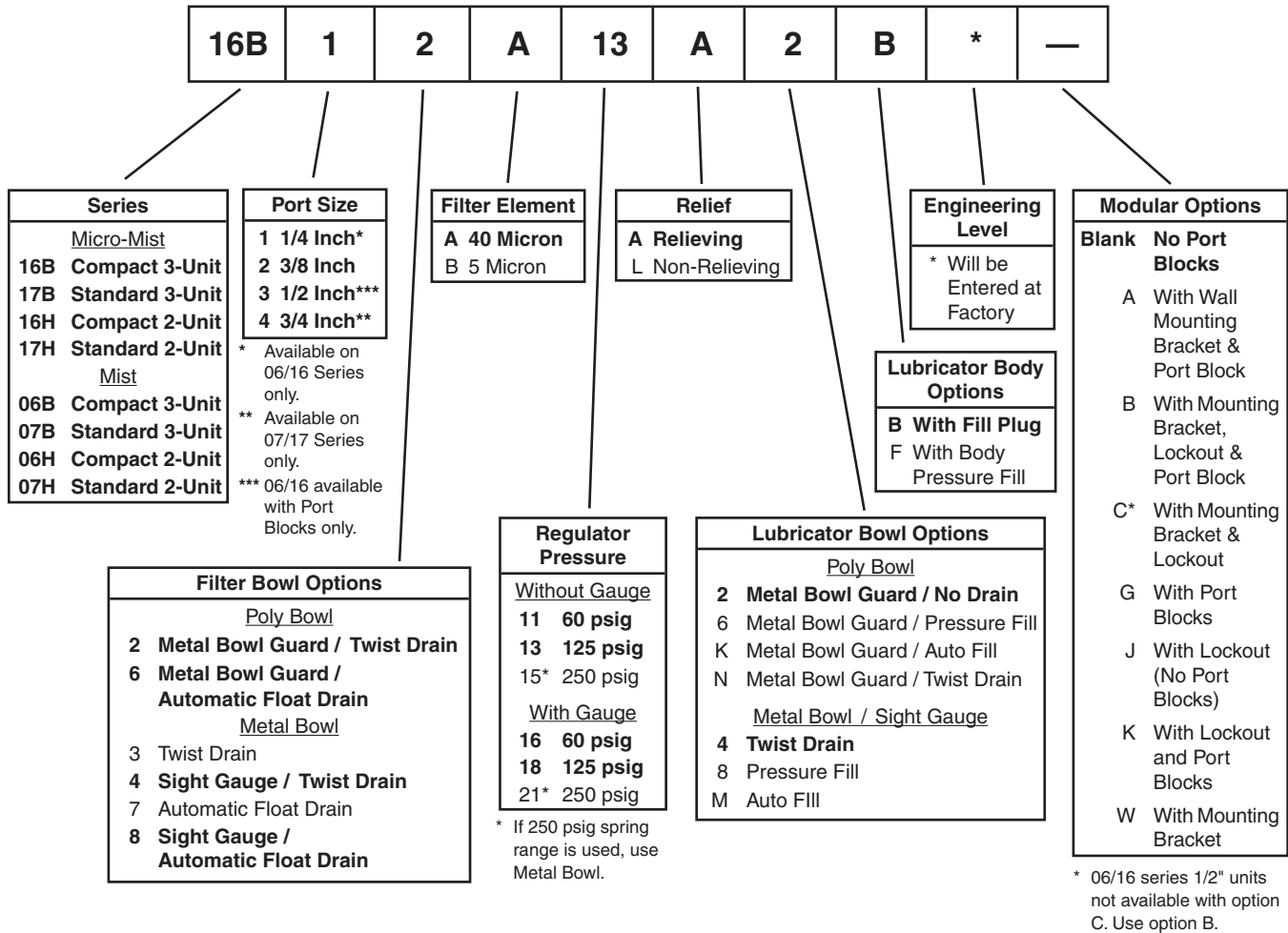
Combos

Accessories



Modular Combinations – 06 Compact & 07 Standard Series

Ordering Information



C
Product Selection
Filters
Coalescers
Regulators
Filter / Regulators
Lubricators
Combos
Accessories

BOLD ITEMS ARE MOST POPULAR.

CAUTION:

REGULATOR PRESSURE ADJUSTMENT – The working range of knob adjustment is designed to permit outlet pressures within their full range. Pressure adjustment beyond this range is also possible because the knob is not a limiting device. This is a common characteristic of most industrial regulators, and limiting devices may be obtained only by special design.

For best performance, regulated pressure should always be set by increasing the pressure up to the desired setting.

⚠ WARNING
Product rupture can cause serious injury. Do not connect regulator to bottled gas. Do not exceed maximum primary pressure rating.

For polycarbonate bowl and sight dome, see Caution on page C2.

Kits & Accessories (See individual component sections for other kits and accessories.)

Body Connector Kit	PS754P
Lockout Valve	PS756P
Manifold Block	PS757P
Wall Mounting Kit	PS755P

Port Block Kits:	Size	NPT	BSPB	BSPT
06 Series	1/4"	PS750P	PS765P [†]	PS761P
	3/8"	PS751P	PS766P [†]	PS762P
	1/2"	PS752P*	PS767P* [†]	PS799P*

* Use 1/4 or 3/8 ported bodies.

[†] 1/4, 3/8 & 1/2 inch meet ISO 1179-1 Standard.

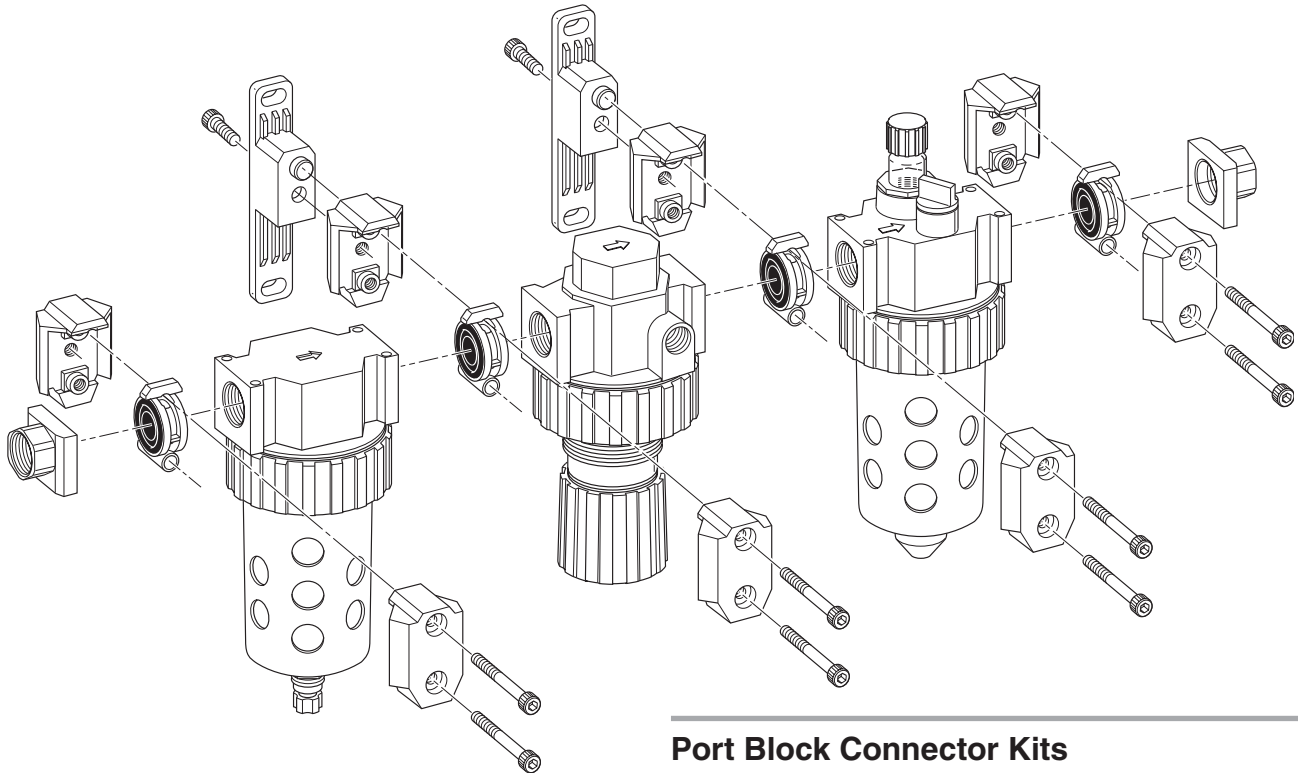
07 Series	1/4"	PS850P	PS865P	PS861P
	3/8"	PS851P	PS866P	PS862P
	1/2"	PS852P	PS867P [†]	PS863P
	3/4"	PS853P	PS860P	PS864P

[†] 1/2 inch meets ISO 1179-1 Standard.



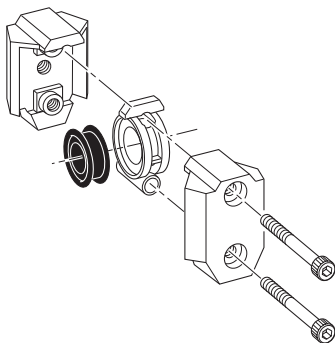
Modular Accessories – 06 Compact & 07 Standard Series

Product Selection
Filters
Coalescers
Regulators
Filter / Regulators
Lubricators
Combos
Accessories



Body Connectors

- 06 SeriesPS754P
- 07 SeriesPS854P



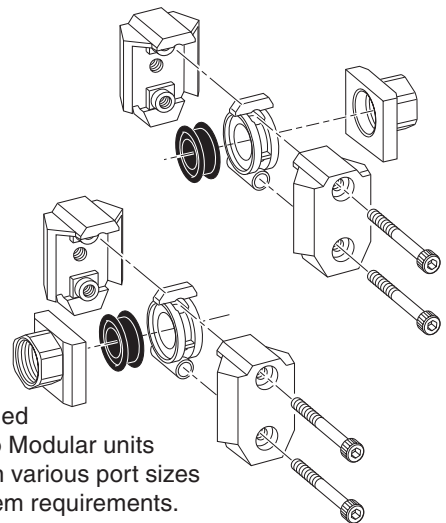
Body Connectors allow you to easily assemble and disassemble Modular Combinations.
 Each Kit includes one set.
 Body Connectors are required whenever you assemble two or more pieces together.

Port Block Connector Kits

Series	Size	NPT	BSPP	BSPT
06 Series	1/4"PS750PPS765P [†]PS761P
	3/8"PS751PPS766P [†]PS762P
	1/2"PS752P*PS767P* [†]PS799P*
07 Series	1/4"PS850PPS865PPS861P
	3/8"PS851PPS866PPS862P
	1/2"PS852PPS867P [†]PS863P
	3/4"PS853PPS860PPS864P

* Use 1/4 or 3/8 ported bodies.
[†] 1/4, 3/8 & 1/2 inch meet ISO 1179-1 Standard.

[†] 1/2 inch meets ISO 1179-1 Standard.

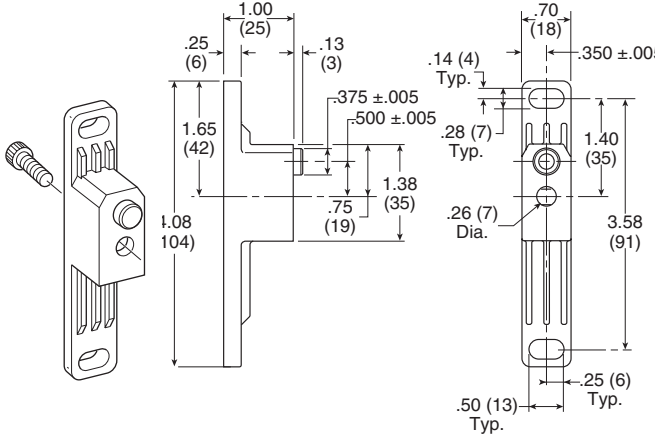


Port Block Connectors allow you to make threaded port connections to Modular units and are available in various port sizes to match your system requirements.
 Each Kit includes all the necessary pieces to make two port connections.

Modular Accessories – 06 Compact & 07 Standard Series

Wall Mounting Kits

06 Series & 07 Series PS755P



Wall Mounting Kits are available for mounting your Modular Assemblies and can be assembled and used with any standard body connector set.

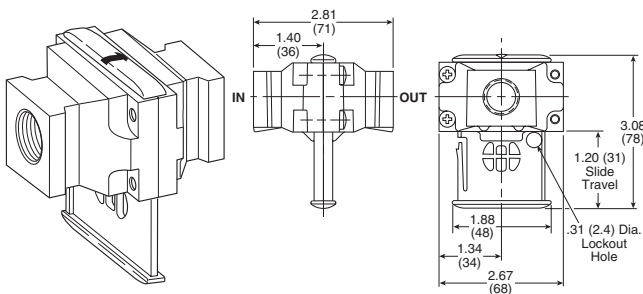
Since Modular Combinations are always identical in size, you can predrill for wall mounting on your equipment.

Kit includes 1 assembly.

Lockout Valves

06 Series PS756P 3/8" Port

07 Series PS856P 1/2" Port



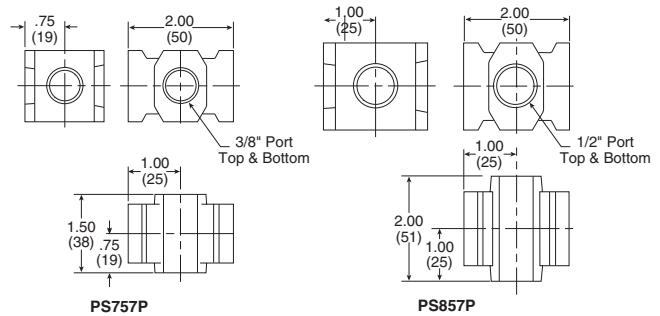
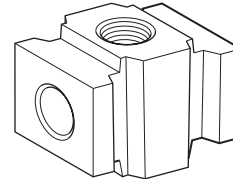
Lockout Valves provide positive shut-off and exhaust capability to isolate Modular units so they can be easily removed from the line and can be locked in a closed position. Center position can be used as a slow start. Accepts #3 padlock.

NOTE: Body Connectors are not supplied with Lockout Valves.

Modular Manifold Block

06 Series PS757P 3/8" Port

07 Series PS857P 1/2" Port



A Modular Manifold Block can be used between any two Modular units to give additional outlet ports. The Manifold Block provides 2 additional outlets in 3/8" and 1/2" sizes. Any standard pipe plug can be used to close off unused ports.

NOTE: Body Connectors are not supplied with Manifold Blocks.

C	Product Selection
Filters	Coalescers
Regulators	Filter / Regulators
Lubricators	Compos
Accessories	