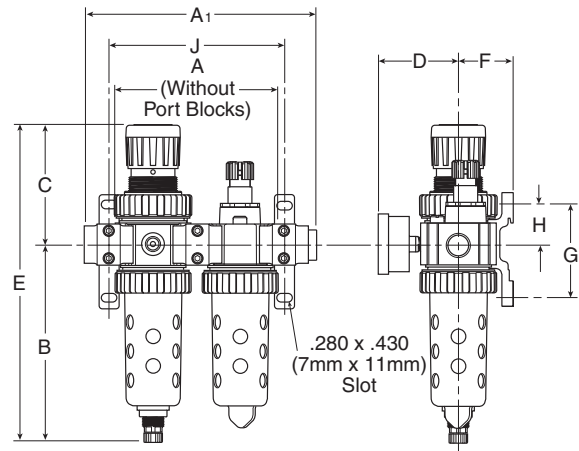
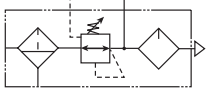


Modular Combinations – 05 Economy Series

- Regulator can be mounted with knob in up or down position.
- See individual component pages for details.
- Gauges, Port Blocks, Manifold Blocks and Ball Valve must be ordered separately.

Two-Unit Combo



Series	Port	Model Numbers
15H	1/4"	15H12A13A2N*
	3/8"	15H22A13A2N*

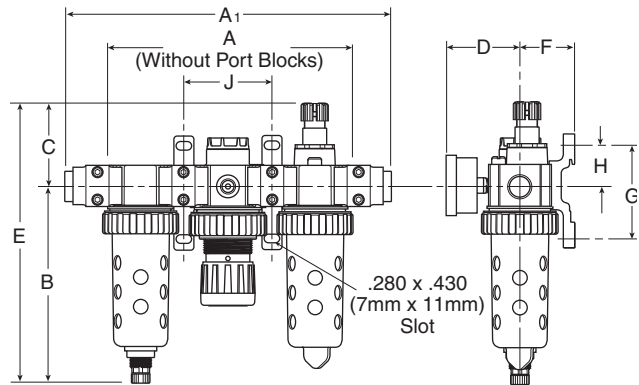
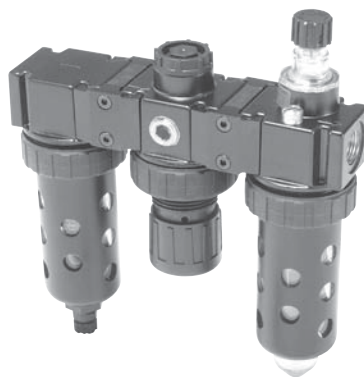
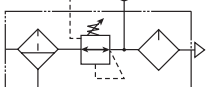
For other models, refer to ordering information on next page.

A 4.33 (110)	A₁ 6.38 (162)	B 5.35 (136)	C 3.15 (80)	D 2.05 (52)	E 8.50 (216)	F 1.45 (37)
G 2.60 (66)	H 1.14 (29)	J 4.72 (120)				

Inches (mm)

- All dimensions nominal.
- **Mounting brackets not included.**

Three-Unit Combo



Series	Port	Model Numbers
15B	1/4"	15B12A13A2N*
	3/8"	15B22A13A2N*

For other models, refer to ordering information on next page.

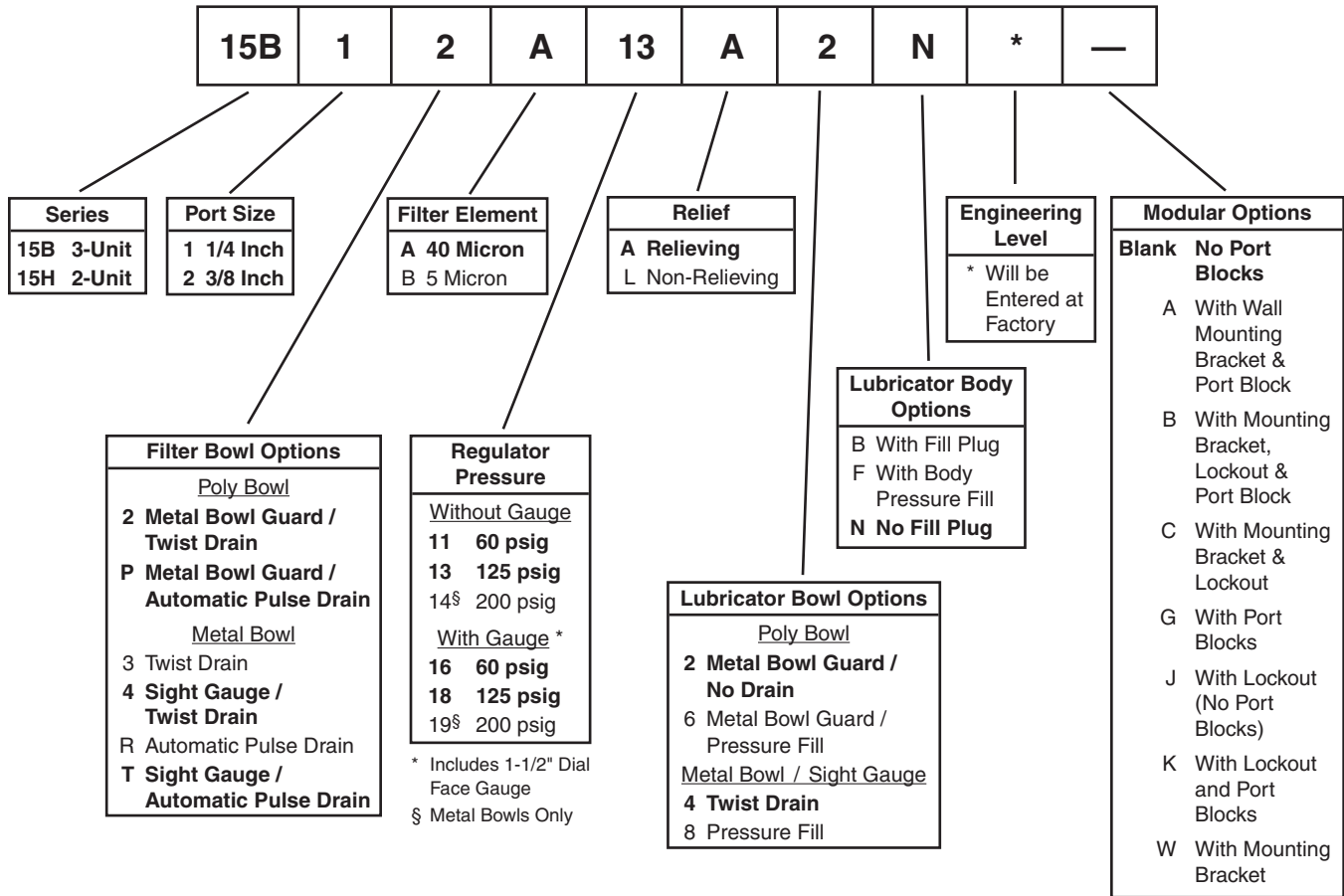
A 6.70 (170)	A₁ 8.72 (222)	B 5.35 (136)	C 2.24 (57)	D 2.05 (52)	E 7.59 (193)	F 1.45 (37)
G 2.60 (66)	H 1.14 (29)	J 2.35 (600)				

Inches (mm)

- All dimensions nominal.
- **Mounting brackets not included.**

Modular Combinations – 05 Economy Series

Ordering Information



C	Product Selection
Filters	Coalescers
Regulators	Filter / Regulators
Lubricators	Combos
Accessories	

BOLD ITEMS ARE MOST POPULAR.

CAUTION:

REGULATOR PRESSURE ADJUSTMENT – The working range of knob adjustment is designed to permit outlet pressures within their full range. Pressure adjustment beyond this range is also possible because the knob is not a limiting device. This is a common characteristic of most industrial regulators, and limiting devices may be obtained only by special design.

For best performance, regulated pressure should always be set by increasing the pressure up to the desired setting.

⚠ WARNING
Product rupture can cause serious injury. Do not connect regulator to bottled gas. Do not exceed maximum primary pressure rating.

For polycarbonate bowl and sight dome, see Caution on page C2.

Kits & Accessories (See individual component sections for other kits and accessories.)

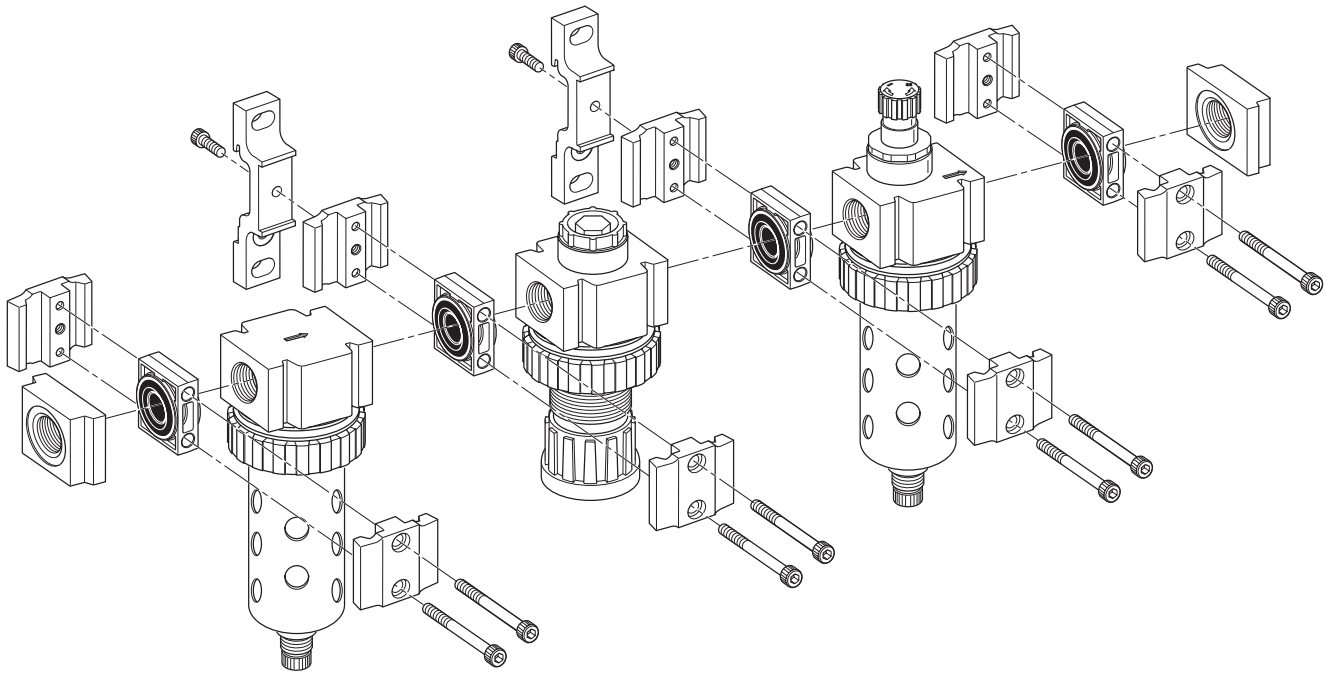
Body Connector Kit PS954P Lockout Valve PS95601P Manifold Block PS95701P Wall Mounting Kit PS955P	Port Block Kits: 1/8" 1/4" 3/8" NPT PS95000P PS95001P PS95002P BSPP PS95010P PS95011P* PS95012P* BSPT PS95020P PS95021P PS95022P
--	--

* 1/4 & 3/8 inch meet ISO 1179-1 Standard.



Modular Accessories – 05 Economy Series

	Product Selection
	Filters
	Coalescers
	Regulators
	Filter / Regulators
	Lubricators
	Combos
	Accessories



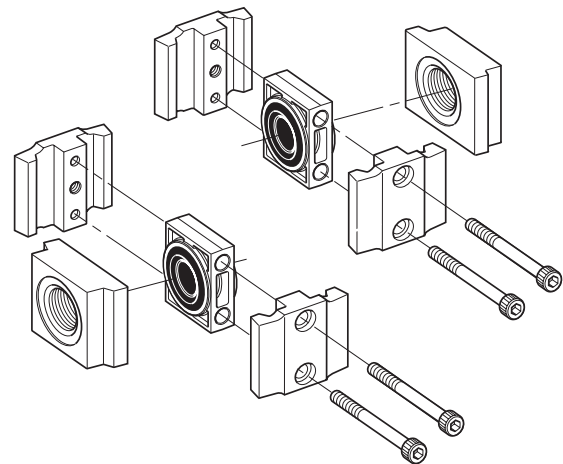
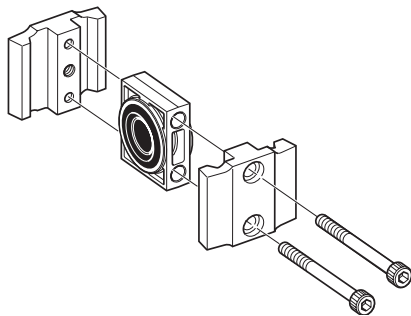
Port Block Connector Kits

	1/8"	1/4"	3/8"
NPT	PS95000P	PS95001P	PS95002P
BSPP	PS95010P	PS95011P*	PS95012P*
BSPT	PS95020P	PS95021P	PS95022P

* 1/4 & 3/8 inch meet ISO 1179-1 Standard.

Body Connectors

PS954P



Body Connectors allow you to easily assemble and disassemble Modular Combinations.

Body Connectors are required whenever you assemble two or more pieces together.

Each Kit includes one set.

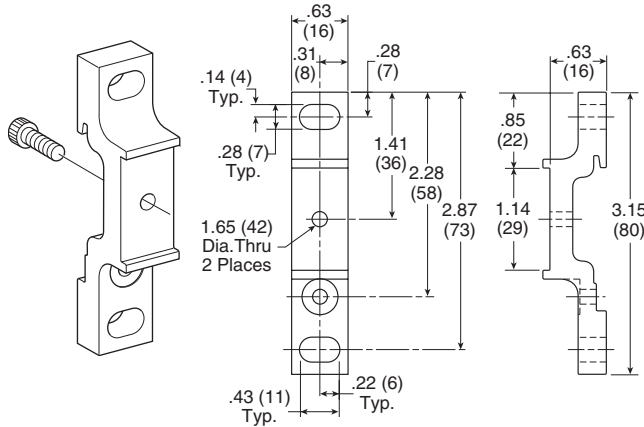
Port Block Connectors allow you to make threaded port connections to Modular units and are available in various port sizes to match your system requirements.

Each Kit includes all the necessary pieces to make two port connections.

Modular Accessories – 05 Economy Series

Wall Mounting Kits

PS955P



Wall Mounting Kits are available for mounting your Modular Assemblies and can be assembled and used with any standard body connector set.

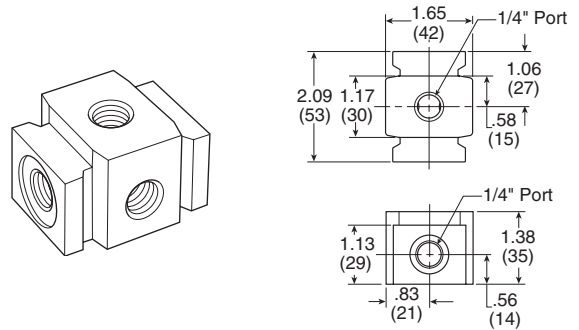
Since Modular Combinations are always identical in size, you can predrill for wall mounting on your equipment.

Kit includes 1 assembly.

Modular Manifold Block

PS95701P

1/4" Port



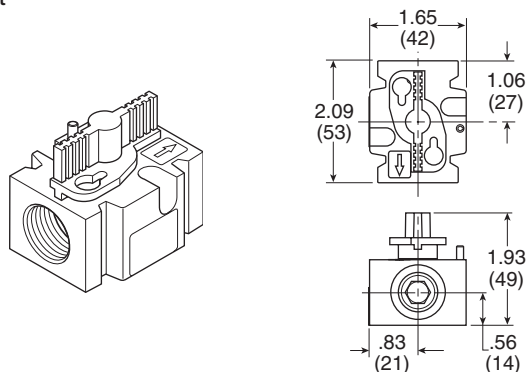
A Modular Manifold Block can be used between any two Modular units to give additional outlet ports. The 1/4" Manifold Block provides three additional outlets. Any standard pipe plug can be used to close off unused ports.

NOTE: Body Connectors are not supplied with Manifold Blocks.

Lockout Valve

PS95601P

1/4" Port



Lockout Valves provide positive shut-off and exhaust capability to isolate Modular units so they can be easily removed from the line and can be locked in a closed position. Center position can be used as a slow start for 06 and 07 series. Accepts #3 padlock.

NOTE: Body Connectors are not supplied with Lockout Valves.

C
Product Selection
Filters
Coalescers
Regulators
Filter / Regulators
Lubricators
Combos
Accessories