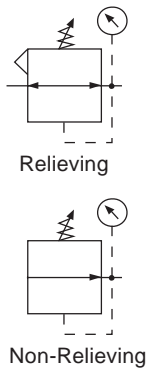


Regulator

R16

= "Most Popular"



R16-02-000

Features

- Non-Rising Adjustment Knob with Friction Lock Knob
- Standard with Two Full Flow 1/4" NPT / BSPT-Rc Gauge Ports
- Panel Mount Nut
- High Flow Capacity
- Balanced Valve Design for Excellent Regulation Characteristics

Specifications

| | | |
|--------------------------|-------------------------------|-------------------------------------|
| Flow Capacity* | 1/4 | 71.5 SCFM (33.7 dm ³ /s) |
| | 3/8 | 80.5 SCFM (38.0 dm ³ /s) |
| | 1/2 | 88.0 SCFM (41.5 dm ³ /s) |
| Adjusting Range Pressure | 0 to 60 PSIG (0 to 4.1 bar) | |
| | 0 to 125 PSIG (0 to 8.6 bar) | |
| | 0 to 250 PSIG (0 to 17.2 bar) | |
| Maximum Supply Pressure | 300 PSIG (20.7 bar) | |
| Operating Temperature | 32° to 150°F (0° to 65.5°C) | |
| Port Size | NPT / BSPP-G | 1/4, 3/8, 1/2 |
| Gauge Port (2 ea.) | NPT / BSPT-Rc | 1/4 |
| Weight | lb. (kg) | 1.7 (0.77) |

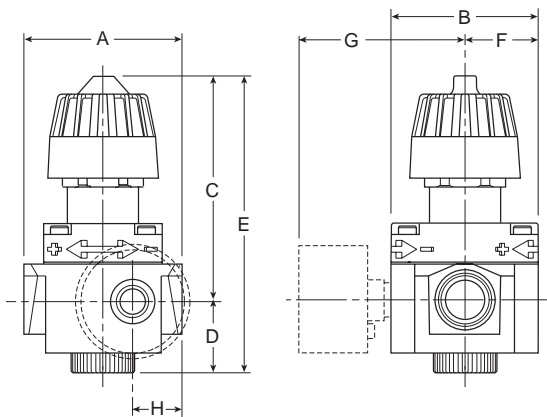
* Inlet pressure 100 PSIG (6.9 bar). Secondary pressure 90 PSIG (6.2 bar).

Materials of Construction

| | |
|----------------|--------------------------|
| Body | Zinc |
| Bonnet | PBT |
| Diaphragm | Nitrile / Zinc |
| Panel Nut | Acetal |
| Seals | Nitrile |
| Springs | Steel |
| Valve Assembly | Brass / Nitrile / Acetal |

WARNING

**Product rupture can cause serious injury.
Do not connect regulator to bottled gas.
Do not exceed maximum primary pressure rating.**



NOTE: 1.31" Dia. (33.3 mm) hole required for panel nut mounting.

Dimensions

| Models | Inches (mm) | A | B | C | D | E | F | G | H |
|-----------------------------|-------------|--------------|--------------|-----------------|----------------|---------------|--------------|--------------|----------------|
| Standard Unit R16-XX-000 | | 2.99 (76) | 2.59 (66) | 3.99 (101.3) | 1.20 (30.5) | 5.19 (132) | 1.29 (33) | — | 1.02 (25.9) |
| With Gauge R16-XX-G00 | | 2.99 (76) | 2.59 (66) | 3.99 (101.3) | 1.20 (30.5) | 5.19 (132) | 1.29 (33) | 2.80 (71) | 1.02 (25.9) |

CAUTION:

REGULATOR PRESSURE ADJUSTMENT – The working range of knob adjustment is designed to permit outlet pressures within their full range. Pressure adjustment beyond this range is also possible because the knob is not a limiting device. This is a common characteristic of most industrial regulators, and limiting devices may be obtained only by special design.

For best performance, regulated pressure should always be set by increasing the pressure up to the desired setting.

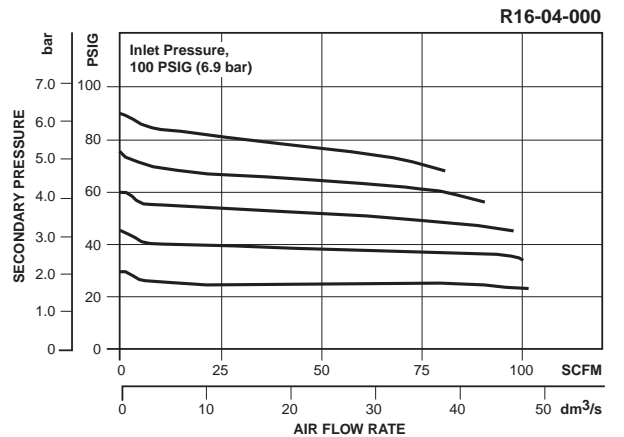
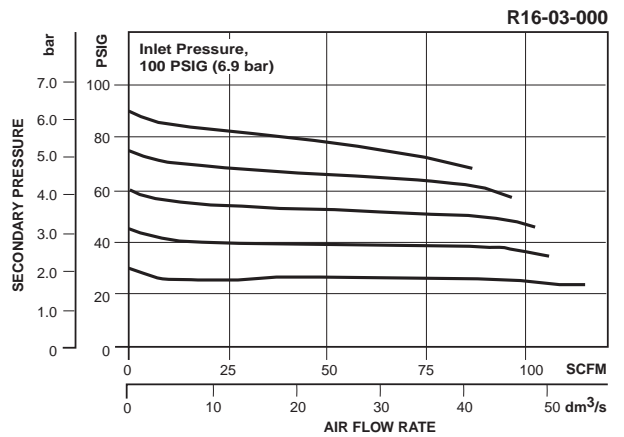
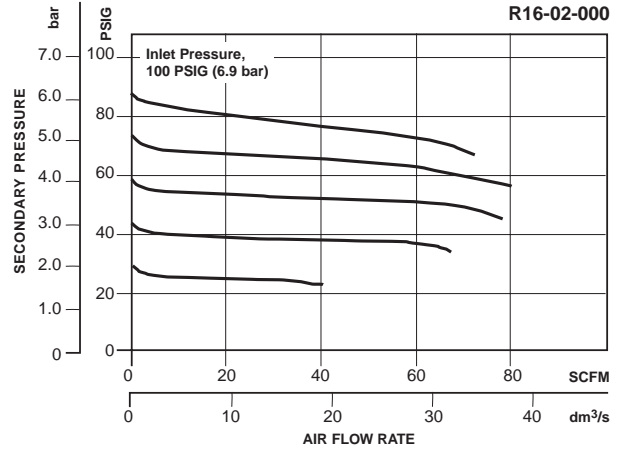
= "Most Popular"

Replacement Kits

- Adjusting Knob..... RRP-95-023
- Diaphragm Assembly –
 - Non-relievingRRP-96-216
 - Self-relieving.....RRP-96-213
- Spring, Regulating –
 - 0 to 50 PSIG (0 to 3.4 bar)..... RRP-95-222
 - 0 to 125 PSIG (0 to 8.6 bar).....RRP-95-224
 - 0 to 250 PSIG (0 to 17.2 bar)RRP-95-218
- Valve Assembly –
 - Valve, Valve Spring, Bottom Plug O-ring.....RRP-96-215

Accessories

- Gauge, Pressure –
 - 0 to 60 PSIG (0 to 4 bar), 2" Dial Face, 1/4 NPT, CBM..... K4520N14060W
 - 0 to 160 PSIG (0 to 11 bar), 2" Dial Face, 1/4 NPT, CBM.....K4520N14160W
 - 0 to 300 PSIG (0 to 20 bar), 2" Dial Face, 1/4 NPT, CBM..... K4520N14300W
- Panel Mount Nut, Plastic GPA-95-032
- Tamper Resistant Kit, Ring Style.....RPA-95-006
- Wall Mounting Bracket, Gauge Port Adapter, 1/4 NPT RRP-95-590
- Wall Mounting Bracket –
 - L-Type, Heavy DutyRPA-95-090
 - L-Type, Standard.....GPA-95-012
 - L-Type with Plastic Panel Mount Nut..... GPA-95-011



Ordering Information

| Model Type | Port Size | Without Gauge 5 to 125 PSIG (0.4 to 8.6 bar) | Without Gauge 10 to 250 PSIG (0.7 to 17.2 bar) | Without Gauge 3 to 60 PSIG (0.2 to 4.1 bar) | With Gauge 5 to 125 PSIG (0.4 to 8.6 bar) | With Gauge 10 to 250 PSIG (0.7 to 17.2 bar) | With Gauge 3 to 60 PSIG (0.2 to 4.1 bar) |
|----------------------|-----------|--|--|---|---|---|--|
| Relieving | 1/4 | R16-02-000 | R16-02-H00 | R16-02-L00 | R16-02-G00 | R16-02-GH0 | R16-02-GL0 |
| | 3/8 | R16-03-000 | R16-03-H00 | R16-03-L00 | R16-03-G00 | R16-03-GH0 | R16-03-GL0 |
| | 1/2 | R16-04-000 | R16-04-H00 | R16-04-L00 | R16-04-G00 | R16-04-GH0 | R16-04-GL0 |
| Non-relieving | 1/4 | R16-02-N00 | R16-02-HN0 | R16-02-LN0 | R16-02-GN0 | R16-02-GHN | R16-02-GLN |
| | 3/8 | R16-03-N00 | R16-03-HN0 | R16-03-LN0 | R16-03-GN0 | R16-03-GHN | R16-03-GLN |
| | 1/2 | R16-04-N00 | R16-04-HN0 | R16-04-LN0 | R16-04-GN0 | R16-04-GHN | R16-04-GLN |

Options - To order an option supplied with the unit model, add the appropriate coded suffix letter in the designated position of the model number.