

NZK Compact Cylinder



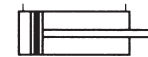
Specifications

Characteristics	Symbol	Unit	Description					
General Features								
Type			Piston Rod Cylinder					
Series			NZK					
Configurations			NZK6	Double Acting, Single Rod, Magnetic Piston				
			NZK7	Single Acting, Single Rod, Magnetic Piston				
			NZK8	Single Acting, Single Rod, Magnetic Piston				
Mounting			See drawing					
Tube connection			Thread					
Ambient temperature range	ϑ_{min} ϑ_{max}	°C	-20	Note: When using below freezing point (0°C) it is necessary to consult us				
		°C	+80					
Mediums - temperature range	ϑ_{max}	°C	+8					
Weight (mass)		kg	See table					
Installation			In any position					
Medium			Filtered and lubricated or filtered and unlubricated compressed air					
Lubrication			Oil mist lubrication compatible with polyurethan					
Material			Aluminum					
Cylinder tube			Aluminum					
Front/Rear covers			Aluminum					
Piston rod			Stainless steel					
Pneumatic Characteristics								
Nominal pressure	P _n	bar	6					
Operating pressure	P _{min} P _{max}	bar bar	0.5 (Single acting version: 1.0) 10					
Piston diameter		mm	32	40	50	63	80	100
Port size			G1/8	G1/8	G1/8	G1/8	G1/8	G1/4
Piston rod diameter		mm	12	16	20	20	25	25
Piston rod thread			M6	M6	M8	M8	M10	M12
		¹⁾	M10x1.25	M12x1.25	M16x1.5	M16x1.5	M20x1.5	M20x1.5
Stroke length		mm	Double acting version: See order instructions Single acting version: 5, 10, 15, 20, 25					
Cushioning			Elastomer cushioning at both ends					
Spring return force	max.	N	See diagram					

Series NZK

Ø32mm - 100mm

NZK 6: Double Acting, Single Rod, Magnets



NZK 7: Single Acting, Single Rod, Magnets



NZK 8: Single Acting, Single Rod, Magnets



Features:

- Stainless Steel Rod
- Magnetic Piston
- Bumpers
- Pre-Lubricated Design
- Spring Extend or Retract
- ISO 6431 Mounting Holes

¹⁾ Piston rod thread on series NZK.../....-AG

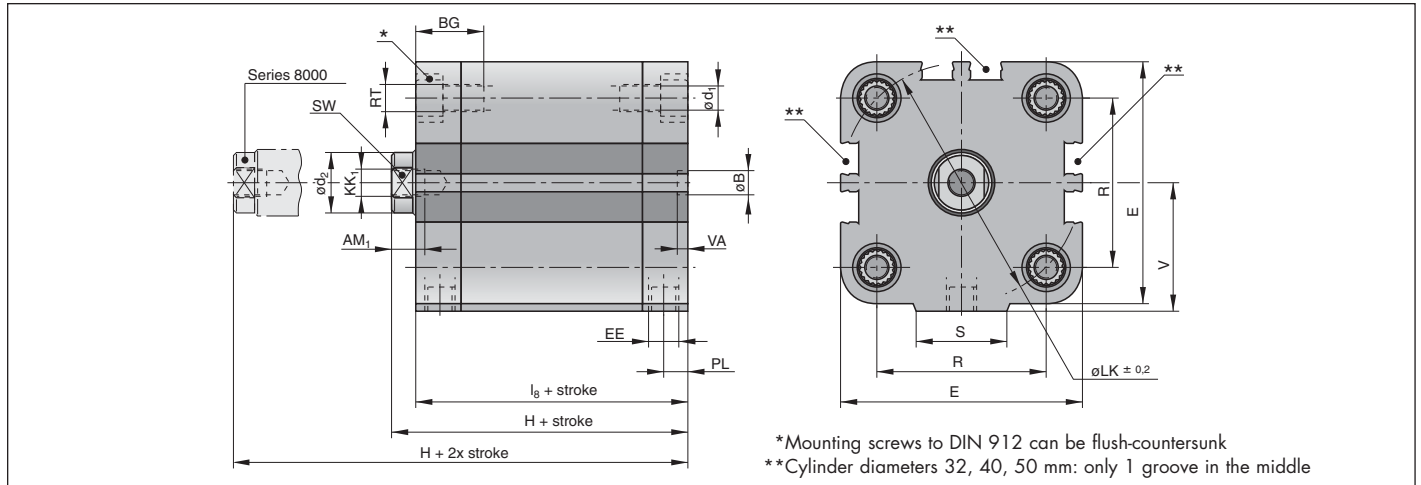
NZK Compact Cylinder



Cylinder Details

Dimensions for Basic Cylinder

Version: Piston Rod with Female Thread (Series NZK..../...)



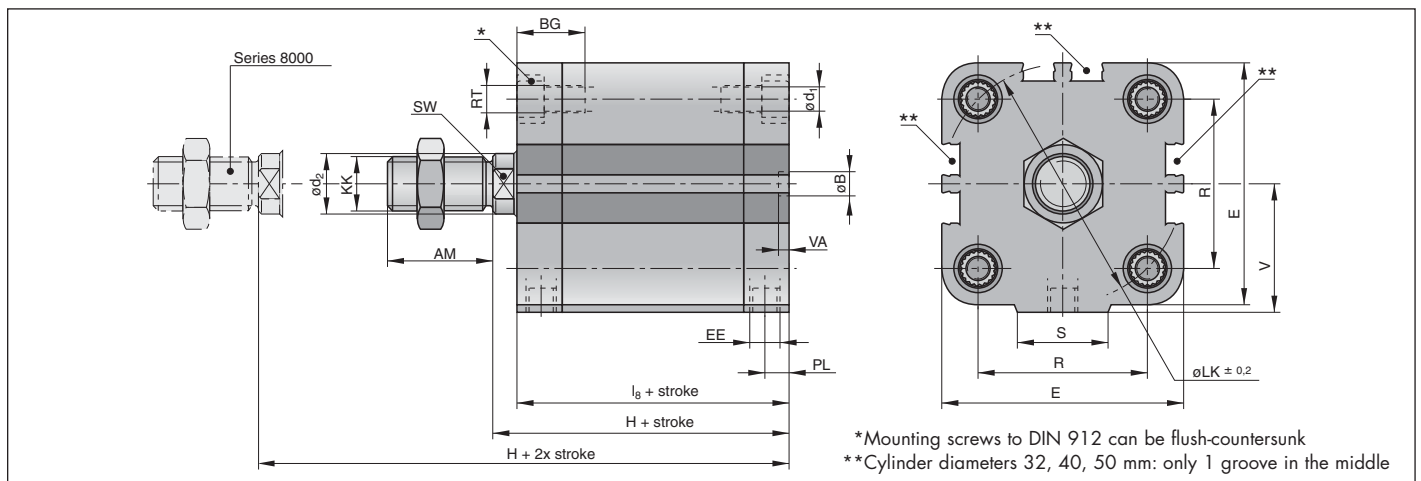
Dimension Table (mm) for Basic Cylinder

Bore Ø	AM ₁	øB H9	BG	ød ₁	ød ₂	E	EE	H (* +stroke)	KK ₁	l ₈ +stroke	øLK	PL	R	RT	S	SW	V	VA
32	12	6	21	5.5	12	50	G1/8	50.5	M6	44.5	46	8	32.5	M6	21	10	26.5	4
40	12	6	21	5.5	16	57	G1/8	52	M6	45.5	54	8	38	M6	22	13	30	4
50	12	6	22.5	6.5	20	67.5	G1/8	53	M8	45.5	66	8	46.5	M8	25	17	35.75	4
63	12	8	22.5	6.5	20	81	G1/8	57.5	M8	50	80	8	56.5	M8	30	17	43.5	4
80	16	8	27.5	8.5	25	98	G1/8	64	M10	56	102	8.5	72	M10	40	19	53	4
100	20	8	32.5	8.5	25	119	G1/4	76.5	M12	66.5	126	10.5	89	M10	50	22	62.5	4

*Series NZK 8000: H + 2x stroke

Dimensions for Basic Cylinder

Version: Piston Rod with Male Thread (Series NZK..../...-AG)



Dimension Table (mm) for Basic Cylinder

Bore Ø	AM	øB H9	BG	ød ₁	ød ₂	E	EE	H (* +stroke)	KK ₁	l ₈ +stroke	øLK	PL	R	RT	S	SW	V	VA
32	20	6	21	5.5	12	50	G1/8	50.5	M10x1.25	44.5	46	8	32.5	M6	21	10	26.5	4
40	24	6	21	5.5	16	57	G1/8	52	M12x1.25	45.5	54	8	38	M6	22	13	30	4
50	32	6	22.5	6.5	20	67.5	G1/8	53	M16x1.5	45.5	66	8	46.5	M8	25	17	35.75	4
63	32	8	22.5	6.5	20	81	G1/8	57.5	M16x1.5	50	80	8	56.5	M8	30	17	43.5	4
80	40	8	27.5	8.5	25	98	G1/8	64	M20x1.5	56	102	8.5	72	M10	40	19	53	4
100	40	8	32.5	8.5	25	119	G1/4	76.5	M20x1.5	66.5	126	10.5	89	M10	50	22	62.5	4

*Series NZK 8000: H + 2x stroke

NZK Compact Cylinder



Ordering Information

Description	Symbol	Bore Ø	Type #	Order #
Double acting without adjustable end cushioning, for contactless position sensing		32	NZK 6032/... NZK 6032/...-AG	PA 58390-.... PA 58470-....
		40	NZK 6040/... NZK 6040/...-AG	PA 59310-.... PA 59390-....
		50	NZK 6050/... NZK 6050/...-AG	PA 60390-.... PA 60470-....
		63	NZK 6063/... NZK 6063/...-AG	PA 61330-.... PA 61410-....
		80	NZK 6080/... NZK 6080/...-AG	PA 62230-.... PA 62310-....
		100	NZK 6100/... NZK 6100/...-AG	PA 63130-.... PA 63210-....
Single acting, normally retracted, without adjustable end cushioning for contactless position sensing		32	NZK 7032/... NZK 7032/...-AG	PA 58400-.... PA 58480-....
		40	NZK 7040/... NZK 7040/...-AG	PA 59320-.... PA 59400-....
		50	NZK 7050/... NZK 7050/...-AG	PA 60400-.... PA 60480-....
		63	NZK 7063/... NZK 7063/...-AG	PA 61340-.... PA 61420-....
		80	NZK 7080/... NZK 7080/...-AG	PA 62240-.... PA 62320-....
		100	NZK 7100/... NZK 7100/...-AG	PA 63140-.... PA 63220-....
Single acting, normally extended, without adjustable end cushioning for contactless position sensing		32	NZK 8032/... NZK 8032/...-AG	PA 58460-.... PA 58490-....
		40	NZK 8040/... NZK 8040/...-AG	PA 59360-.... PA 59410-....
		50	NZK 8050/... NZK 8050/...-AG	PA 60460-.... PA 60490-....
		63	NZK 8063/... NZK 8063/...-AG	PA 61400-.... PA 61430-....
		80	NZK 8080/... NZK 8080/...-AG	PA 62300-.... PA 62330-....
		100	NZK 8100/... NZK 8100/...-AG	PA 63200-.... PA 63230-....
<p>Complete type designation and order no. with stroke length in mm (4-digits)</p> <p>Stroke Length: MM (standard) Double acting Version: —any mm increment up to 500mm standard Single acting Version: —0005,0010,0015,0020,0025 Contact factory for special stroke lengths</p>				

Description	Bores					
	32mm	40mm	50mm	63mm	80mm	100mm
Foot mounting A-..	PD 27917	PD 27918	PD 28072	PD 28073	PD 28074	PD 28075
Rear trunnion mounting B-..	PD 22704	PD 22705	PD 22706	PD 22707	PD 22708	PD 22709
Rear trunnion mounting BA-..	PD 23412	PD 23413	PD 23414	PD 23415	PD 23416	PD 23417
Rear trunnion mounting BAS-..*	PD 23843	PD 23844	PD 23845	PD 23846	PD 23847	PD 23848
Front flange mounting C-..	PD 23403	PD 23404	PD 23405	PD 23406	PD 23407	PD 23408
Rear flange mounting D-..	PD 23403	PD 23404	PD 23405	PD 23406	PD 23407	PD 23408
Security bolt for mountings B,BA,BAS	KY 6153	KY 6154	KY 6157	KY 6156	KY 6158	KY 6159
Delivery information: on delivery all cylinder mountings, except the trunnion mounting are not assembled						