

Spare Parts

Series 2002 - Basic Cylinder - Ø16mm

Item	Description	16mm
1	Cylinder Barrel	2152-0101+S
2***	Outer Band	2080-0101+S
3***	Inner Band	2192+0101+S
4	End Cap - Right (B)	2164-0154
4.1	End Cap - Right (V)	2714-0154
5	O-Ring - Cushion Screw (B)	0766
5.1	O-Ring - Cushion Screw (V)	0767
6	Cushion Screw	0734
7	N/A	
8	O-Ring - Cushion Pipe (B)	0732
8.1	O-Ring - Cushion Pipe (V)	0733
9	End Cap - Left (B)	2164-0153
9.1	End Cap - Left (V)	2714-0153
10	O-ring Gasket End Cap (B)	N/A
10.1	O-ring Gasket End Cap (V)	N/A
11	Screw - Outer Band Lock	0847
12	Outer Band Lock	0738
13	Screw - Inner Band Lock	0846
14	Inner Band Lock	0736
15	End Cap Screw	0735
19	Cushion Pipe	N/A
**	Service Pack-1 Piston (B)	SP16-B-1 xS
**	Service Pack-1 (V)	SP16-V-1 xS
**	Service Pack-2 (B)	SP16-B-2 xS
**	Service Pack-2 (V)	SP16-V-2 xS
	Seal Kit-1 (B)	2790-0101
	Seal Kit-1 (V)	2791-0101
	Seal Kit-2 (B)	2790-0101-2
	Seal Kit-2 (V)	2791-0101-2

(B) = Buna-N

(V) = Viton

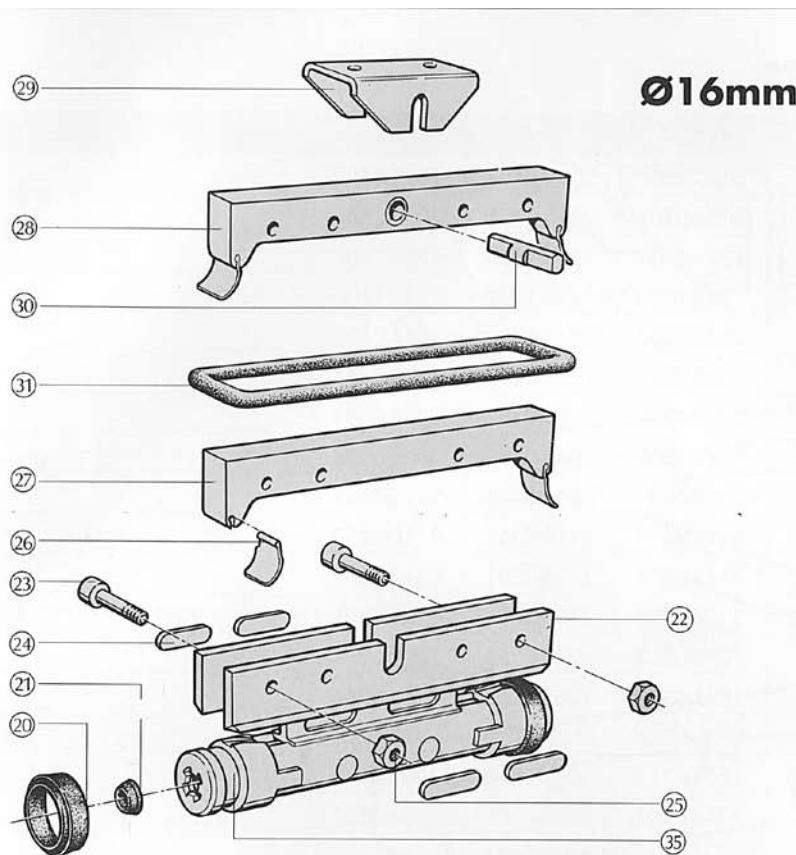
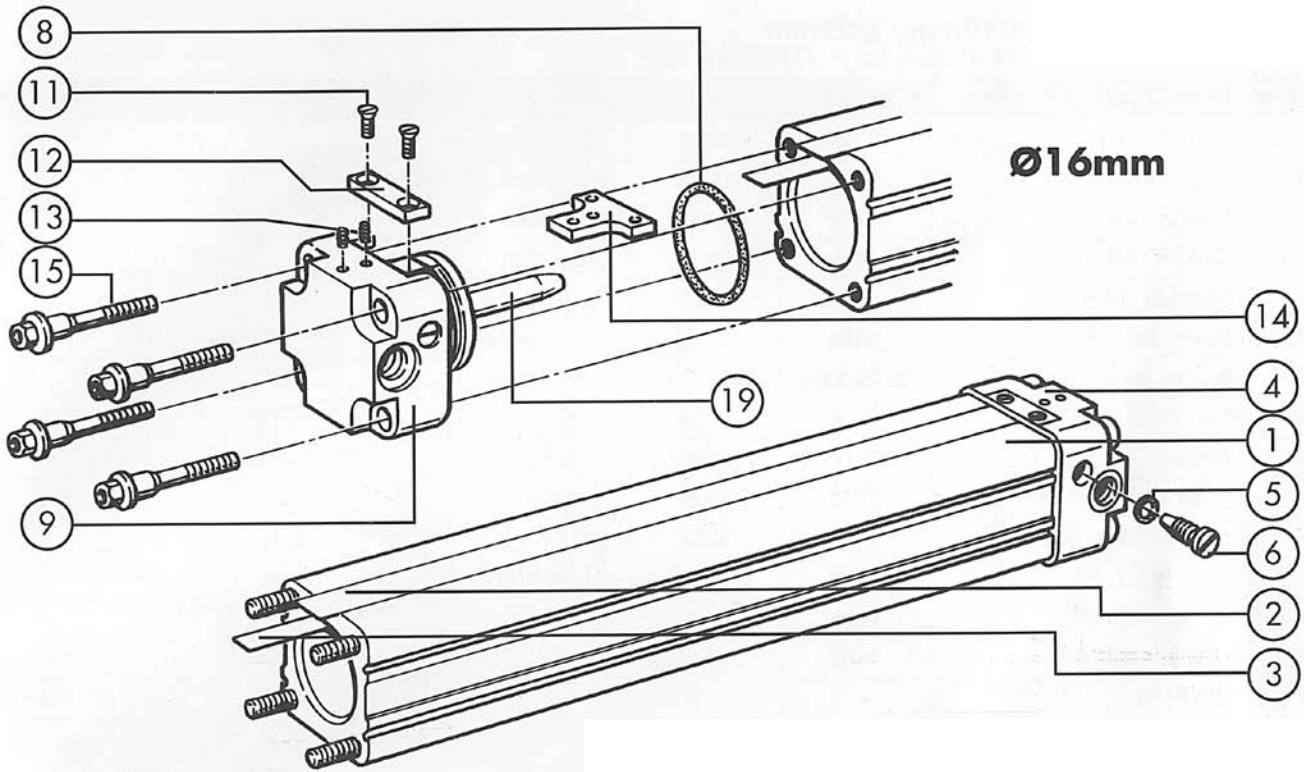
**Note: Please identify stroke "S" required when ordering.

*** Note: These items can only be purchased in a service pack.

Item	Description	16mm
20	Piston Seal (B)	0745
20.1	Piston Seal (V)	0746
21	Cushion Seal (B)	0751
21.1*	Cushion Seal (V)	0752
22	Complete Piston	1853
23	Screw - Piston Mount	0754
24	Bearing Strip	2798-0101
25	Nut - Piston Mount	0796
26	Scraper	2238-0101
27	Piston Mount - NR20	1815
28	Bracket - NR25 Mount	N/A
29	Fork Bracket	0758
31	O-ring - Yoke (B)	0747
31.1	O-ring - Yoke (V)	0748

(B) = Buna-N

(V) = Viton

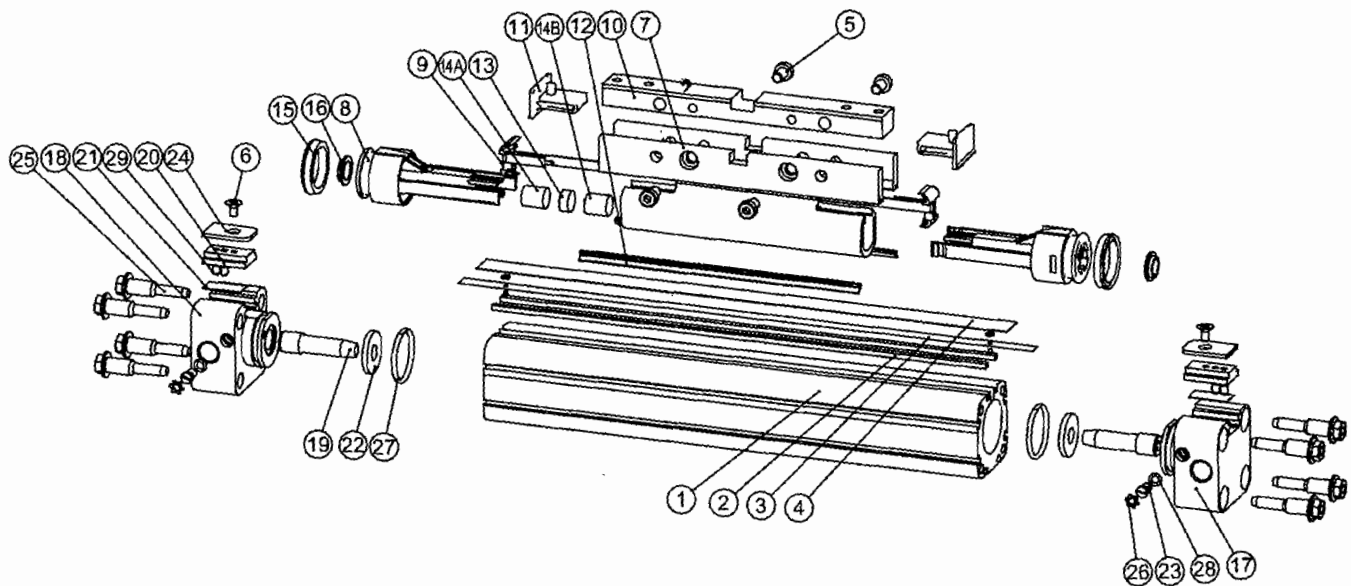


**Series 2002 - Basic Cylinder -
Ø25mm - Ø50mm**

Item	Description	Kit to Purchase
1	Barrel	Purchase Separate
2	Magnet Strip	Purchase Separate
3	Inner Band	Service Pack
4	Outer Band	Service Pack
5	Piston Mount Screw	Piston Mount Kit
6	Outer Bandlock Screw	End Cap Assembly
7	Piston	Piston Assembly Kit
8	Support Ring (White, Red, Green)	Piston Assembly Kit
9	Slide Shoe (Yellow, Tan, Black)	Seal Kit
10	Piston Mounting	Piston Mount Kit
11	Scraper	Seal Kit
12	Slide Wiper	Seal Kit
13	Magnet	Piston Assembly Kit
14A	Magnet Holder (Aluminum)	Piston Assembly Kit
14B	Magnet Holder (Steel)	Piston Assembly Kit
15	Piston Seal	Seal Kit
16	Cushion Seal	Seal Kit
17	End Cap - Left Hand	End Cap Assembly
18	End Cap - Right Hand	End Cap Assembly
19	Cushion Pipe	End Cap Assembly

Item	Description	Kit to Purchase
20	Inner Band Lock	End Cap Assembly
21	Shim Piece	End Cap Assembly
22	Cushion Disc	Seal Kit
23	Cushion Adjustment Screw	End Cap Assembly
24	Outer Band Lock	End Cap Assembly
25	End Cap Screw	End Cap Assembly
26	Locking Ring	Purchase Separate
27	O-ring End Cap	Seal Kit
28	O-Ring - Cushion Screw	Seal Kit
29	Screw - Inner Band Lock	End Cap Assembly

* See page 33 for ordering instructions on kit part numbers.



NOTE: FOR 25mm ONLY, ITEMS 23, 26 & 28 ARE AN INTEGRAL PART OF THE CAP (ITEMS 17 & 18)

Description		25mm	32mm	40mm	50mm
Barrel	Part Number	2152-0201 +S	2152-0301 +S	2152-0404 +S	2152-0502 +S
Magnetic Strip	Part Number	2244-0201 +S	2244-0301 +S	2244-0451 +S	2244-0501 +S

Piston Assembly Kits – includes seals, bearings, support rings, magnets and holders

Description		25mm	32mm	40mm	50mm
(Buna)	Part Number	2002-25-PISTON-B	2002-32-PISTON-B	2002-40-PISTON-B	2002-50-PISTON-B
(Viton)	Part Number	2002-25-PISTON-V	2002-32-PISTON-V	2002-40-PISTON-V	2002-50-PISTON-V

End Cap Assembly Kits – includes end cap set with cushion pipes, o-rings, cap screws, cushion discs, and hand locks

Description		25mm	32mm	40mm	50mm
US Threads (Buna)	Part Number	2002-25-END-CAP-B	2002-32-END-CAP-B	2002-40-END-CAP-B	2002-50-END-CAP-B
US Threads (Viton)	Part Number	2002-25-END-CAP-V	2002-32-END-CAP-V	2002-40-END-CAP-V	2002-50-END-CAP-V
Metric Threads (Buna)	Part Number	2002-25-END-CAP-MO	2002-32-END-CAP-MO	2002-40-END-CAP-MO	2002-50-END-CAP-MO
Metric Threads (Viton)	Part Number	2002-25-END-CAP-V-MO	2002-32-END-CAP-V-MO	2002-40-END-CAP-V-MO	2002-50-END-CAP-V-MO

Piston Assembly Kits – includes piston mount, scrapers and screws

Description		25mm	32mm	40mm	50mm
US Threads	Part Number	2002-25-PISTON-MT	2002-32-PISTON-MT	2002-40-PISTON-MT	2002-50-PISTON-MT

Spare Parts

Spare Parts Service Packs - Series 2002 / Series P120 - All bore sizes.

Designation Series 2002		Bore Sizes				
		16mm	25mm	32mm	40mm	50mm
Buna-N Service Pack Single Piston	Part Number	SP16-B-1	SP25R-B-1	SP32R-B-1	SP40R-B-1	SP50R-B-1
Viton Service Pack Single Piston	Part Number	SP16-V-1	SP25R-V-1	SP32R-V-1	SP40R-V-1	SP50R-V-1
Buna-N Service Pack Double Piston	Part Number	SP16-B-2	SP25R-B-2	SP32R-B-2	SP40R-B-2	SP50R-B-2
Viton Service Pack Double Piston	Part Number	SP16-V-2	SP25R-V-2	SP32R-V-2	SP40R-V-2	SP50R-V-2

Designation Series p120		Bore Sizes		
		40mm	60mm	80mm
Buna-N Service Pack Short Piston	Part Number	SP124-B-S	SP126-B-S	SP128-B-S
Viton Service Pack Short Piston	Part Number	SP124-V-S	SP126-V-S	SP128-V-S
Buna-N Service Pack Long Piston	Part Number	SP124-B-L	SP126-B-L	SP128-B-L
Viton Service Pack Long Piston	Part Number	SP124-V-L	SP126-V-L	SP128-V-L

Note: All Service Packs contain complete seal kits, inner and outer bands, cleaning tool, grease and repair instructions.

Upgrade Kit - required for cylinders manufactured prior to January 1, 2002

Designation Series 2002		Bore Sizes			
		25mm	32mm	40mm	50mm
Buna-N Upgrade Kit Single Piston	Part Number	25-UPGRADE-S-B	32-UPGRADE-S-B	40-UPGRADE-S-B	50-UPGRADE-S-B
Viton Upgrade Kit Single Piston	Part Number	25-UPGRADE-S-V	32-UPGRADE-S-V	40-UPGRADE-S-V	50-UPGRADE-S-V
Buna-N Upgrade Kit Double Piston	Part Number	25-UPGRADE-S-B-2	32-UPGRADE-S-B-2	40-UPGRADE-S-B-2	50-UPGRADE-S-B-2
Viton Upgrade Kit Double Piston	Part Number	25-UPGRADE-S-V-2	32-UPGRADE-S-V-2	40-UPGRADE-S-V-2	50-UPGRADE-S-V-2

Note: Upgrade kits include piston assembly, end cap assembly, piston mount assembly and complete service pack.

*S = Stroke