



Parker Hannifin Corporation
Pneumatic Division North America
8676 E. M89
Richland, MI 49083 USA

phone: 269 629 5000
fax: 269 629 5385

To: Watts FluidAir Distributors

Date: August, 2011

Subject: **Watts Miniature Regulator Update**
R384 Series Obsolescence, ND-FRL-301

Update...

As the air preparation supplier to our network of Watts FluidAir distributors, our goal is to provide products and services with the best value. Helping our distributors, and their customers, grow profitably is our charge. In pursuit of this goal one of the challenges we face everyday is that the market for miniature FRLs continues to grow more competitive.

With this in mind, the best regulators in our Parker/Watts Miniature FRL family to meet this challenge going forward are the 14R, R374, and R364 miniature regulators. Each of these series has unique features and benefits to fit the bill for most any application.

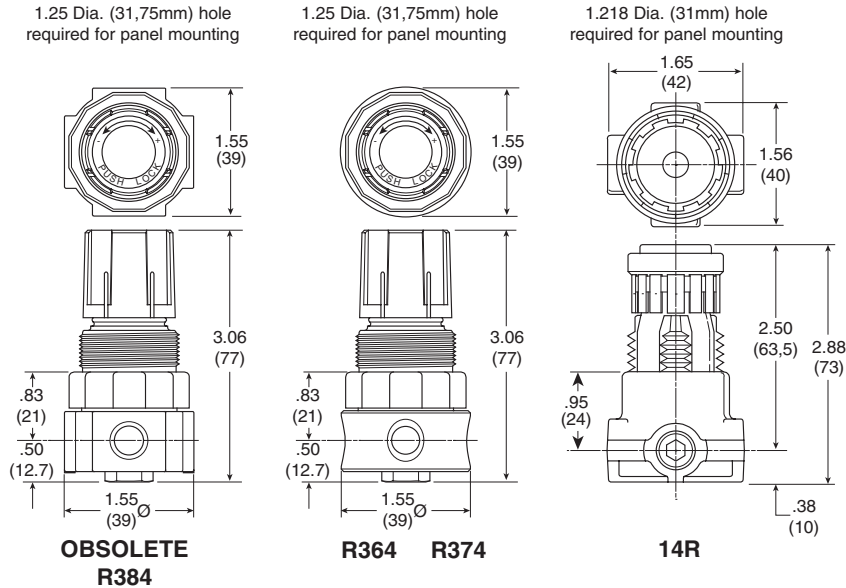
The design and manufacturing technologies utilized to produce the Watts Zinc Miniature Regulator (R382, R384, R182, R184) are no longer the most efficient. As designs and manufacturing technologies have evolved - what used to be the least expensive regulator to produce has now become one of the most costly.

With this in mind, we are discontinuing production of the R384 family (R382, R384, R182, R184) of regulators effective September 30, 2011. Any existing business should be converted to either the R374 (aluminum), R364 (brass), or 14R (zinc) regulators.



Dimensional Comparison:

The drawing below outlines the details of these regulators. For applications requiring an identical fit / form / function replacement the R374 would likely be the best choice. Any existing special (e.g., Z-model) regulators based on the R384 family will be converted to the R374 body. Any existing quotations for the R384 family will be converted over to the R374.



Specification Comparison:

	Obsolete 09/30/11	Replacement choices for R384		
	R384	R374	R364	14R
Panel mount hole diameter	1.25"	1.25"	1.25"	1.218"
Weight	.5 lb.	.25 lb.	.5 lb.	.3 lb.
Flow ¹ :	9 SCFM	9 SCFM	9 SCFM	20 SCFM
Adjustment knob	Black / Push-Lock	Black / Push-Lock	Black / Push-Lock	Yellow or Black / Push-Lock
Regulation	Diaphragm	Diaphragm	Diaphragm	Piston
Body material/color	Zinc / Black	Aluminum / Natural	Brass / Natural	Zinc / Black
Repeatability ² :	+/-1 PSIG	+/-1 PSIG	+/-1 PSIG	+/- 4 PSIG
Overpressure to relieve ³	8 PSIG	8 PSIG	8 PSIG	8 PSIG
Maximum pressure limiting	Optional	Optional	Optional	Optional
Tamperproof adjustment	Optional	Optional	Optional	Optional
Fluorocarbon elastomers	Optional	Optional	Optional	N/A
Constant Bleed In/valve	Optional	Optional	Optional	N/A
Metal spring cage/adjustment	Optional	Optional	Optional	N/A

Note¹: P₁: 100 PSIG; P₂: 75 PSIG; Pressure Drop: 20 PSIG

Note²: Repeatability is defined as the regulator's ability to return to a no-flow set point after inducing flow

Note³: Overpressure to relieve is defined as the point at which the regulator begins to relieve excess downstream pressure

Please refer to the Watts FluidAir catalog 305 Miniature FRL Series for more details and information regarding the regulators listed above. If you have any questions or need any assistance in selecting the right regulator for your customer's application please feel free to contact either your Territory Manager or myself.

See Scott

Lee Scott

FRL Product Manager

PDN11-019



Notice of Discontinuance

Subject:

R384 Series Miniature Regulators

The R384 Series Miniature Regulators will be discontinued and superseded by the R374 and 14R as of September 30, 2011.

Products Include:

- R384
- R382
- R184
- R182

-
- | | |
|--|---------------------------|
| 1) The Product(s) Shown Above Will Be Discontinued Effective | <u>September 30, 2011</u> |
| 2) Orders For Complete Units Will Be Accepted Until | <u>September 30, 2011</u> |
| 3) Orders For Kits Will Be Accepted Until | <u>Indefinitely</u> |
| 4) Last Date Returns Accepted | <u>September 30, 2011</u> |
-

REMARKS:

Refer to Catalog 0305 and attached letter for replacements and details



Pneumatic Division
8676 E. M89
P.O. Box 901
Richland, MI 49083 USA

Applications Engineering
Phone: (269) 629-5575 Option #3
E-mail: pdnapps@parker.com
Customer Support
Phone: (269) 629-5575 Option #1
E-mail: pdncustsvc@parker.com

Regulator Cross-Reference Chart

Port Size	Reduce Pressure Range PSIG	Relieving or Non-Relieving	Obsolete	Replacement Choices for R384	
			R384 Part Number	R374 Equivalent	14R Equivalent
1/8"	0-25	Relieving	R384-01A	R374-01A	14R010FC
1/8"	0-60	Relieving	R384-01B	R374-01B	14R011FC
1/8"	0-125	Relieving	R384-01C	R374-01C	14R013FC
1/8"	0-25	Non-Relieving	R384-01AK	R374-01AK	14R010GC
1/8"	0-60	Non-Relieving	R384-01BK	R374-01BK	14R011GC
1/8"	0-125	Non-Relieving	R384-01CK	R374-01CK	14R013GC
1/4"	0-25	Relieving	R384-02A	R374-02A	14R110FC
1/4"	0-60	Relieving	R384-02B	R374-02B	14R111FC
1/4"	0-125	Relieving	R384-02C	R374-02C	14R113FC
1/4"	0-25	Non-Relieving	R384-02AK	R374-02AK	14R110GC
1/4"	0-60	Non-Relieving	R384-02BK	R374-02BK	14R111GC
1/4"	0-125	Non-Relieving	R384-02CK	R374-02CK	14R113GC
Panel Mount Nut		Plastic	R05X51-P	R05X51-P	P78652
		Aluminum	R05X51-A	R05X51-A	P01531