

CE RoHS

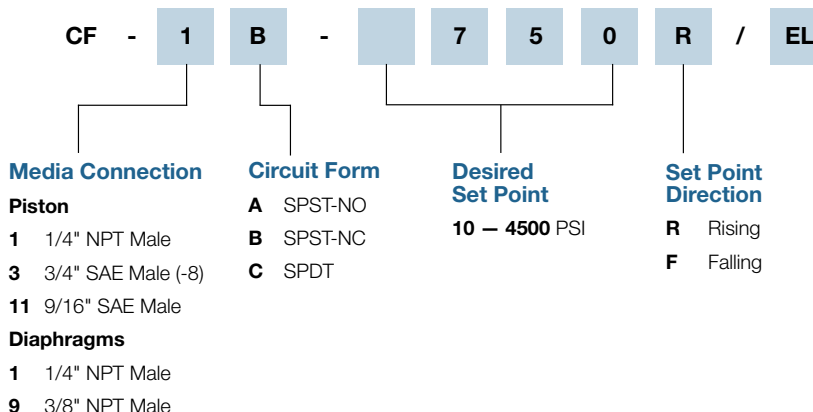
Features

- Long-life elastomer diaphragm (Set Points: 10 – 300 PSI)
- Proven sealed piston sensor (Set Points: 100 – 4500 PSI)
- High-quality snap-action switch
- Easily customized
- Quick delivery
- NEMA 4, 13

Operating Specifications

Set Point Range	10 – 4500 PSI	(.69 – 310 Bar)
Set Point Tolerance	±5 PSI or 5%	(.34 Bar)
Maximum Operating Pressure	2000 PSI (Diaphragm Model)	(137 Bar)
	5000 PSI (Piston Model)	(344 Bar)
Proof Pressure	6000 PSI (Diaphragm Model)	(413 Bar)
	15000 PSI (Piston Model)	(1034 Bar)
Differential	10 – 20%	
Current Rating	5 A @ 250 VAC	5 A @ 30 VDC (Resistive)
Media Connection	Standard: Brass (Optional: Nickel Plating, 303 SS, 316 SS)	
Circuit Form	SPST-NO, SPST-NC or SPDT	
Electrical Connection	See Order Chart Below for Options	
Diaphragm Material	Buna (Diaphragm Design)	
	Hardened Steel Piston (Piston Design)	
Cycle Life	1 Million	

How to Order (Example: Part Number: **CF - 1B - 750R / EL**)



Electrical Options

- WL** Wire Leads 18"
- EL** Male Conduit 1/2" – 14
- EF** Female Conduit 1/2" – 14
- HR** DIN43650A Connector
- HH** DIN43650A Plug Only
- WP** Weather Pack
- MP** Metri-Pack
- WD** Deutsch
- AT** 10 A @ 125/250 VAC
5 A @ 30 VDC
- AU** Gold Plate/Alloy for low currents

For more [media connections](#), see pages 23-24.

For all available [optional configurations](#), see page 22.

For more [electrical connections](#), see page 7.