

L15 SERIES 1500PSI HYDRAULIC CYLINDERS

Common Features

Nason's L15 series hydraulic actuators were designed to be compact, low friction, long lasting devices for today's demanding design requirements. They are offered in single and double rod configurations with inch or metric mounting and ports.

Low Breakaway and Running Friction / Long Life

Designed for low start up and running friction, the L15 series contains low friction Nitrile seals and are lubricated at the factory with PTFE impregnated grease. Precision machined components and self-lubricating bearings ensure long life and continued low friction operation.

Compact Size

Nason L15 cylinders were designed with today's automation equipment in mind. They offer more power in a smaller package than comparable 1500 PSI hydraulic cylinders.

Rugged Construction

The L15 series incorporates thick walled, anodized aluminum housings and caps. Rods are chrome plated 1045/1050 steel riding in self-lubricating bronze bearings. Hardened fasteners are used for assembly. Steel pistons with wear rings and rod wipers are standard on all models.

Versatile Design

The L15 series cylinders are metric in design (bore and rod sizes). They are offered in inch or metric mounting and porting. Due to their 100% machined design, they are easily customized by Nason.

Rebuildable

All L15 series cylinders are field rebuildable.

L 15 SERIES HYDRAULIC CYLINDERS

How to Order	95
Engineering Data	96
20mm Bore	97
25mm Bore	99
32mm Bore	101
40mm Bore	103
50mm Bore	105

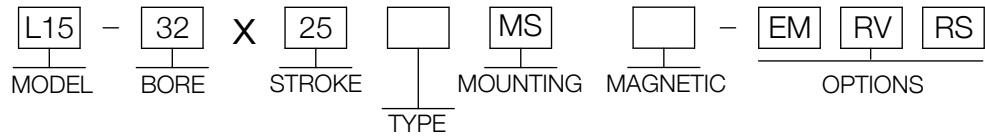
NEW
BORE SIZE



How to Order

Example:

Part Number: L15-32X25MS-EMRVRS



MODEL
L15 - 1500 PSI Hydraulic Cylinder

MOUNTING
MF - Threads on Front Face (Rod End)
MR - Threads on Rear Face (Opposite Rod)
MB - Threads on Both Faces
MS - Threads on Side of Cylinder Body

BORE
20 - 20mm (.79")
25 - 25mm (.98")
32 - 32mm (1.26")
40 - 40mm (1.58")
50 - 50mm (1.97")

MAGNETIC
BLANK (No Code) - Standard No Magnet
M - Magnetic Piston and Sensor Mounting

STROKE
15 - 15mm (.59")
25 - 25mm (.98")
40 - 40mm (1.58")
50 - 50mm (1.97")
65 - 65mm (2.56")
75 - 75mm (2.95")

OPTIONS
EM - InchThreads (Mounting and Ports) (See product pages for sizes)
RS - Male Stud for Rod End (Length - 2 x Thread Diameter)
RF - 5mm (.197") Rod Extension
RT - 10mm (.394") Rod Extension
RV - 25mm (.984") Rod Extension

TYPE
BLANK (No Code) - Double Acting, Single Rod
D - Double Acting, Double Rod

Operating Media: Mineral oil, water polyglycol solutions, water-in-oil emulsions

Maximum Operating Pressure: 103 Bar (1500 PSI)

Operating Temperature: -10°C to 70°C (0°F to 158°F)

Packing: Buna N

Lubrication: PTFE impregnated grease

Stroke Tolerance: +0,75mm/-0mm (+0.03"/-0")

Piston Area Chart

Bore	Push (Rod Extend)	Pull (Rod Retract)
20	3,14 cm ² (.48 in ²)	2,64 cm ² (.40 in ²)
25	4,91 cm ² (.76 in ²)	4,12 cm ² (.64 in ²)
32	8,04 cm ² (1.25 in ²)	6,91 cm ² (1.07 in ²)
40	12,56 cm ² (1.95 in ²)	10,55 cm ² (1.64 in ²)
50	19,63 cm ² (3.04 in ²)	16,49 cm ² (2.56 in ²)

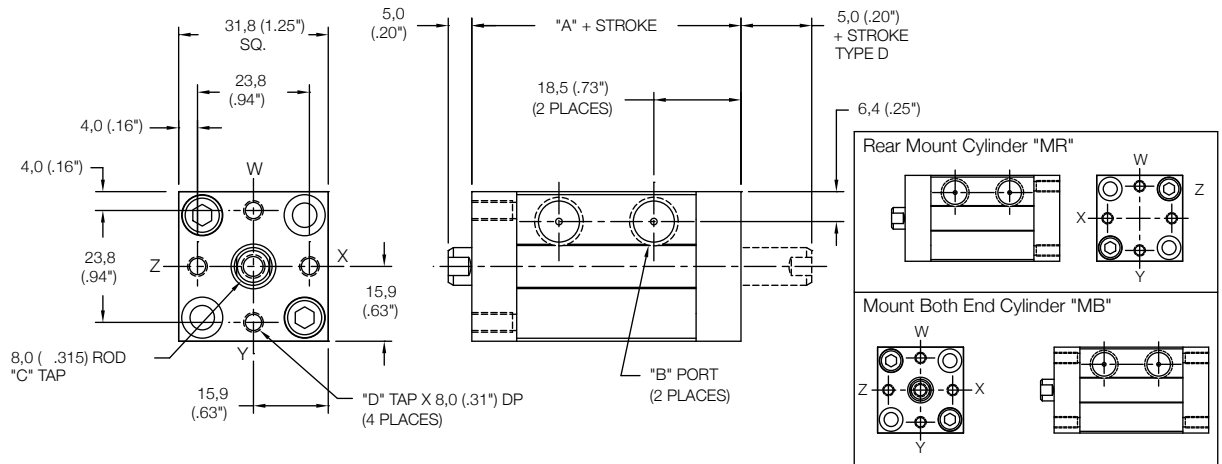
Cylinder Output Force Formula

Piston Area x Pressure = Output Force
Piston Area (in ²) x Pressure (PSI) = lbf (Pounds Force)
Piston Area (cm ²) x Pressure (kg/cm ²) = kgf (Kilograms Force)
Piston Area (cm ²) x Pressure (kg/cm ²) x 9.8 = Newtons
Piston Area (cm ²) x Pressure (Bar) x 10 = Newtons
Piston Area (cm ²) x Pressure (Bar) x 10 = Newtons
Piston Area (cm ²) x Pressure (Bar) x 1.02 = kgf (Kilograms Force)

Non Magnetic Front Mount Cylinder "MF"

MODEL	TYPE	STANDARD STROKES	"A"	PISTON AREA
L15	_D	15mm	47,0 (1.85")	PUSH 3,14 cm ² (0.48 in ²)
		25mm		
		40mm		PULL 2,64 cm ² (0.40 in ²)
		50mm		
		65mm		
75mm				

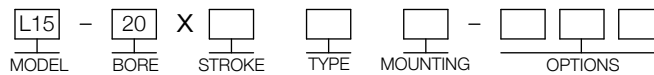
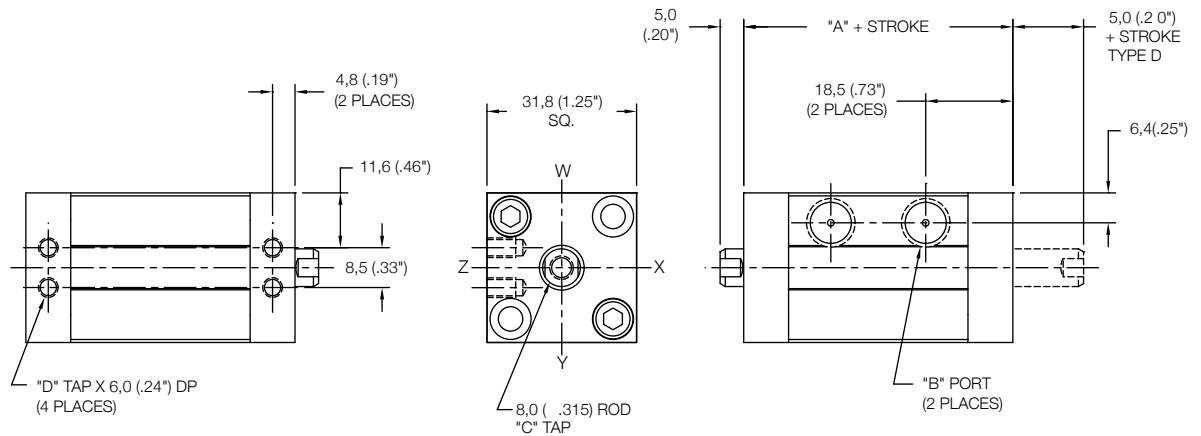
	Standard Threads	"EM" Option
"B"	R 1/8 (1/8-28 BSPT)	1/8-27
"C"	M5X0,8	#10-32
"D"	M4X0,7	#8-32



Non Magnetic Side Mount Cylinder "MS"

MODEL	TYPE	STANDARD STROKES	"A"	PISTON AREA
L15	_D	15mm	47,0 (1.85")	PUSH 3,14 cm ² (0.48 in ²)
		25mm		
		40mm		PULL 2,64 cm ² (0.40 in ²)
		50mm		
		65mm		
75mm				

	Standard Threads	"EM" Option
"B"	R 1/8 (1/8-28 BSPT)	1/8-27
"C"	M5X0,8	#10-32
"D"	M4X0,7	#8-32



15mm - 75mm STROKE
(SEE STROKE RANGE)

BLANK - NO CODE
D - DOUBLE ROD

MB - BOTH END MOUNT
MF - FRONT MOUNT
MR - REAR MOUNT
MS - SIDE MOUNT

EM - INCH THREADS & PORT OPTIONS:

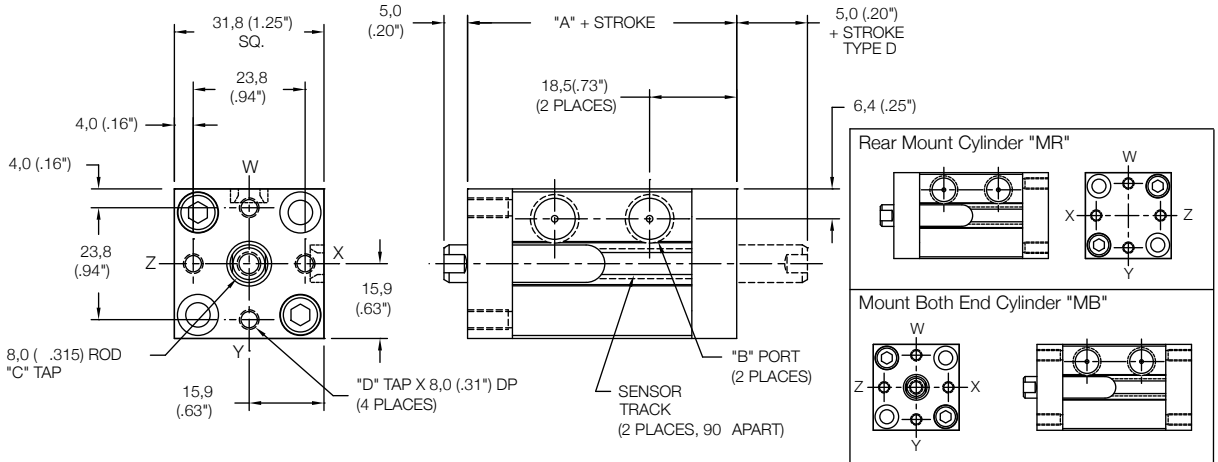
RS - MALE STUD FOR ROD END
(SEE PAGE 61 FOR DETAILS)

RF, RH, RN, RT, RV, RY - ROD EXTENSIONS
(SEE PAGE 61 FOR DETAILS)

Magnetic Front Mount Cylinder "MF"

MODEL	TYPE	STANDARD STROKES	"A"	PISTON AREA
L15	_D	15mm	62,0 (2.44")	PUSH 3,14 cm ² (0.48 in ²)
		25mm		
		40mm		PULL 2,64 cm ² (0.40 in ²)
		50mm		
		65mm		
75mm				

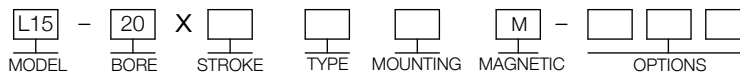
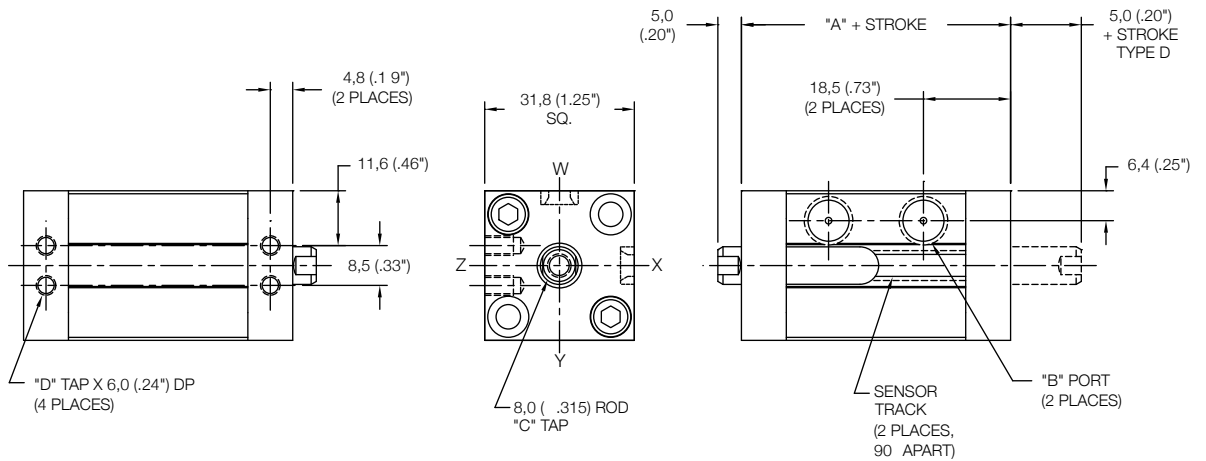
	Standard Threads	"EM" Option
"B"	R 1/8 (1/8-28 BSPT)	1/8-27
"C"	M5X0,8	#10-32
"D"	M4X0,7	#8-32



Magnetic Side Mount Cylinder "MS"

MODEL	TYPE	STANDARD STROKES	"A"	PISTON AREA
L15	_D	15mm	62,0 (2.44")	PUSH 3,14 cm ² (0.48 in ²)
		25mm		
		40mm		PULL 2,64 cm ² (0.40 in ²)
		50mm		
		65mm		
75mm				

	Standard Threads	"EM" Option
"B"	R 1/8 (1/8-28 BSPT)	1/8-27
"C"	M5X0,8	#10-32
"D"	M4X0,7	#8-32



15mm - 75mm STROKE
(SEE STROKE RANGE)

BLANK - NO CODE
D - DOUBLE ROD

MB - BOTH END MOUNT
MF - FRONT MOUNT
MR - REAR MOUNT
MS - SIDE MOUNT

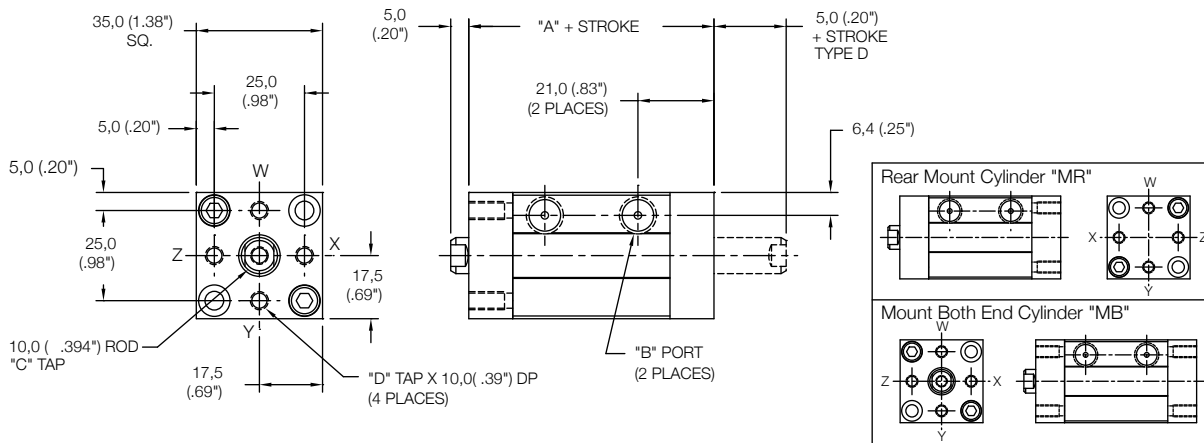
EM - INCH THREADS & PORT OPTIONS:
RS - MALE STUD FOR ROD END
(SEE PAGE 61 FOR DETAILS)
RF, RH, RN, RT, RV, RY - ROD EXTENSIONS
(SEE PAGE 61 FOR DETAILS)

SENSORS SOLD SEPERATELY
SKS, SKP, SCS, SCP - SOLID STATE
LIMIT SENSORS
(SEE PAGE 54 FOR DETAILS)

Non Magnetic Front Mount Cylinder "MF"

MODEL	TYPE	STANDARD STROKES	"A"	PISTON AREA
L15	...D	15mm	53,0 (2.09")	PUSH 4,91 cm ² (0.76 in ²)
		25mm		
		40mm		
		50mm		
		65mm		
		75mm		PULL 4,12 cm ² (0.64 in ²)

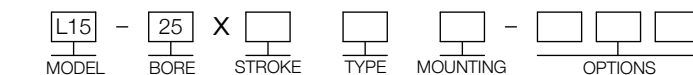
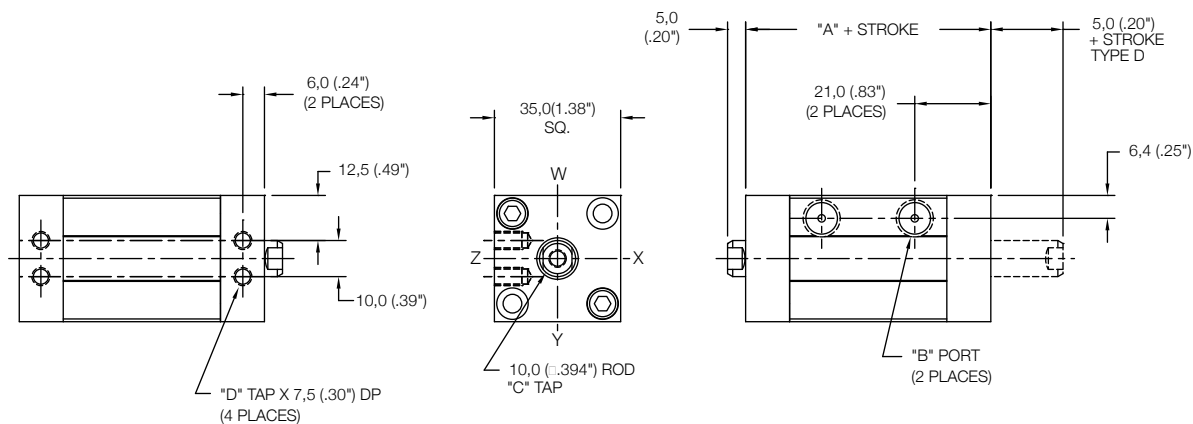
	Standard Threads	"EM" Option
"B"	R 1/8 (1/8-28 BSPT)	1/8-27
"C"	M6X1,0	1/4-20
"D"	M5X0,8	#10-32



Non Magnetic Side Mount Cylinder "MS"

MODEL	TYPE	STANDARD STROKES	"A"	PISTON AREA
L15	...D	15mm	53,0 (2.09")	PUSH 4,91 cm ² (0.76 in ²)
		25mm		
		40mm		
		50mm		
		65mm		
		75mm		PULL 4,12 cm ² (0.64 in ²)

	Standard Threads	"EM" Option
"B"	R 1/8 (1/8-28 BSPT)	1/8-27
"C"	M6X1,0	1/4-20
"D"	M5X0,8	#10-32



15mm - 75mm STROKE
(SEE STROKE RANGE)

BLANK - NO CODE
D - DOUBLE ROD

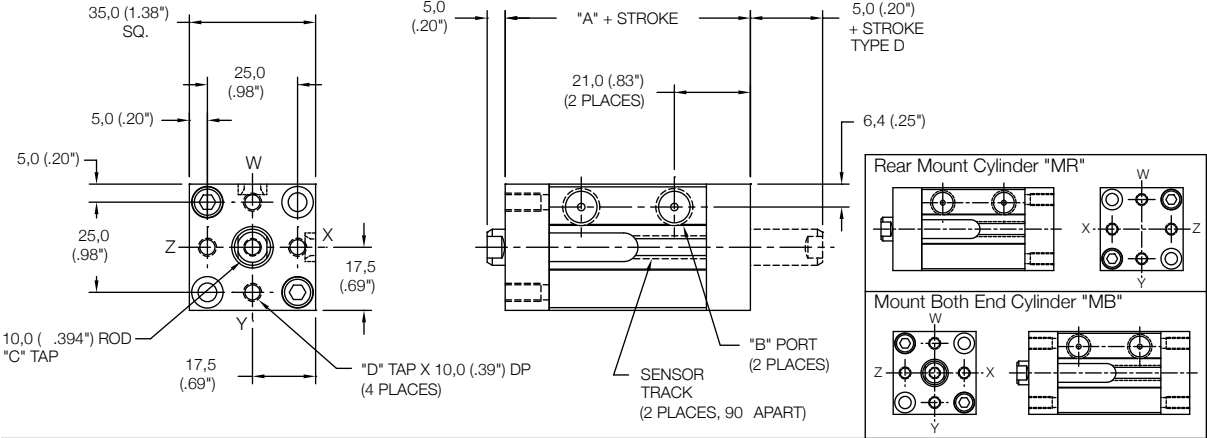
MB - BOTH END MOUNT
MF - FRONT MOUNT
MR - REAR MOUNT
MS - SIDE MOUNT

EM - INCH THREADS & PORT OPTIONS:
RS - MALE STUD FOR ROD END
(SEE PAGE 61 FOR DETAILS)
RF, RH, RN, RT, RV, RY - ROD EXTENSIONS
(SEE PAGE 61 FOR DETAILS)

Magnetic Front Mount Cylinder "MF"

MODEL	TYPE	STANDARD STROKES	"A"	PISTON AREA
L15	_D	15mm	68,0 (2.68")	PUSH 4,91 cm ² (0.76 in ²)
		25mm		
		40mm		PULL 4,12 cm ² (0.64 in ²)
		50mm		
		65mm		
75mm				

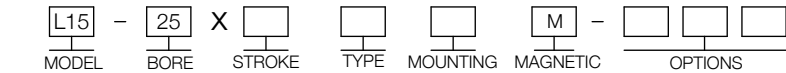
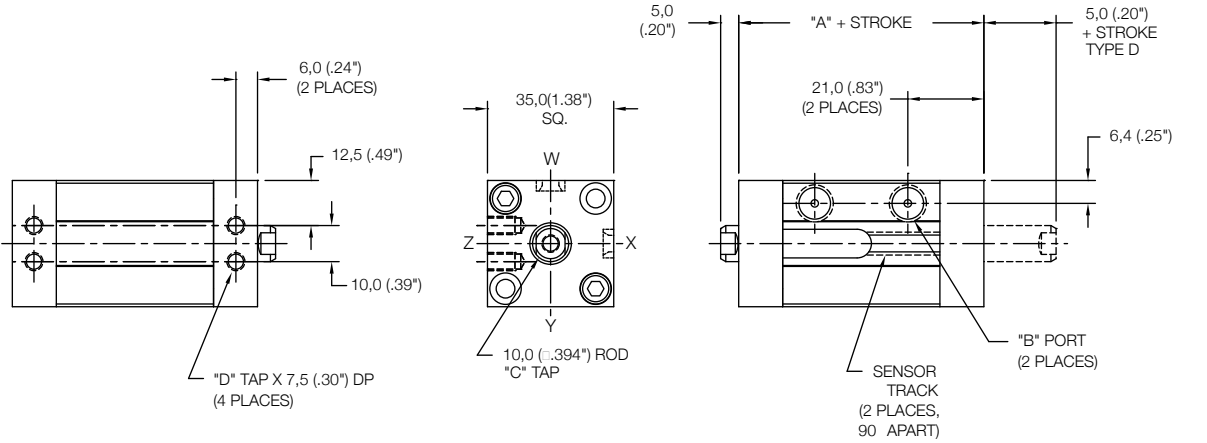
	Standard Threads	"EM" Option
"B"	R 1/8 (1/8-28 BSPT)	1/8-27
"C"	M6X1,0	1/4-20
"D"	M5X0,8	#10-32



Magnetic Side Mount Cylinder "MS"

MODEL	TYPE	STANDARD STROKES	"A"	PISTON AREA
L15	_D	15mm	68,0 (2.68")	PUSH 4,91 cm ² (0.76 in ²)
		25mm		
		40mm		PULL 4,12 cm ² (0.64 in ²)
		50mm		
		65mm		
75mm				

	Standard Threads	"EM" Option
"B"	R 1/8 (1/8-28 BSPT)	1/8-27
"C"	M6X1,0	1/4-20
"D"	M5X0,8	#10-32



15mm - 75mm STROKE
(SEE STROKE RANGE)

BLANK - NO CODE
D - DOUBLE ROD

MB - BOTH END MOUNT
MF - FRONT MOUNT
MR - REAR MOUNT
MS - SIDE MOUNT

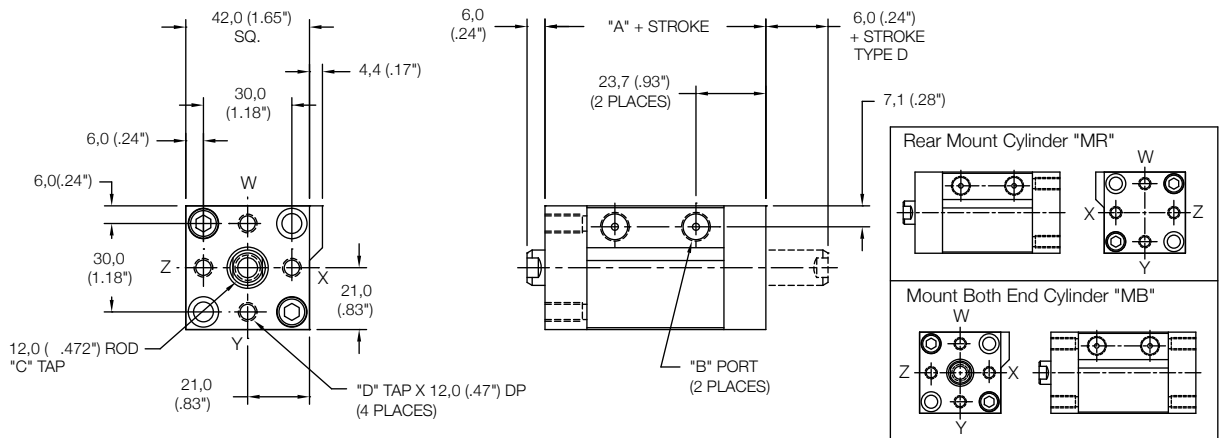
EM - INCH THREADS & PORT OPTIONS:
RS - MALE STUD FOR ROD END
(SEE PAGE 61 FOR DETAILS)
RF, RH, RN, RT, RV, RY - ROD EXTENSIONS
(SEE PAGE 61 FOR DETAILS)

SENSORS SOLD SEPARATELY
SKS, SKP, SCS, SCP - SOLID STATE
LIMIT SENSORS
(SEE PAGE 54 FOR DETAILS)

Non Magnetic Front Mount Cylinder "MF"

MODEL	TYPE	STANDARD STROKES	"A"	PISTON AREA
L15	-,D	15mm	60,0 (2.36")	PUSH 8,04 cm ² (1.25 in ²) PULL 6,91 cm ² (1.07 in ²)
		25mm		
		40mm		
		50mm		
		75mm		

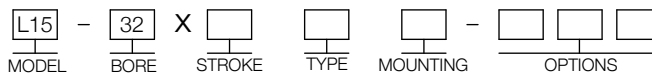
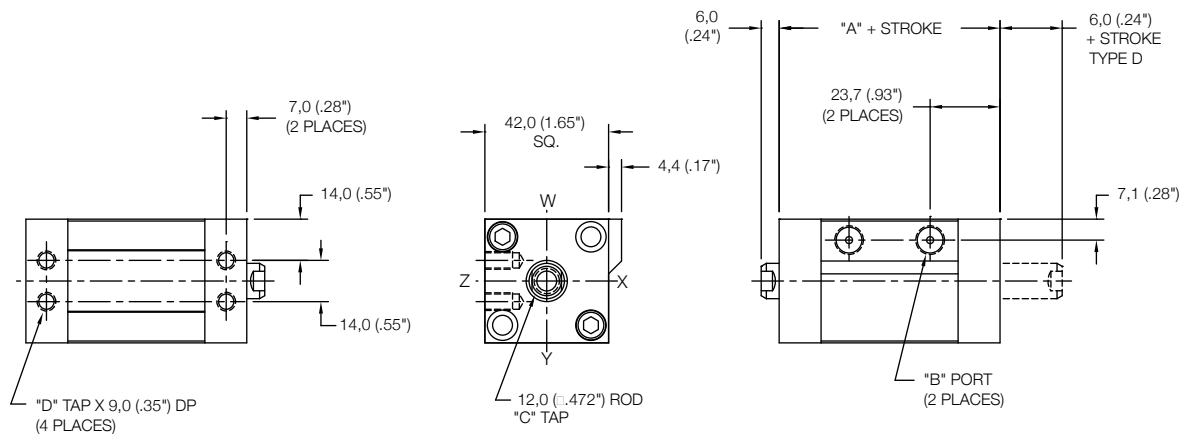
	Standard Threads	"EM" Option
"B"	R 1/8 (1/8-28 BSPT)	1/8-27
"C"	M8X1,25	5/16-18
"D"	M6X1,0	1/4-20



Non Magnetic Side Mount Cylinder "MS"

MODEL	TYPE	STANDARD STROKES	"A"	PISTON AREA
L15	-,D	15mm	60,0 (2.36")	PUSH 8,04 cm ² (1.25 in ²) PULL 6,91 cm ² (1.07 in ²)
		25mm		
		40mm		
		50mm		
		75mm		

	Standard Threads	"EM" Option
"B"	R 1/8 (1/8-28 BSPT)	1/8-27
"C"	M8X1,25	5/16-18
"D"	M6X1,0	1/4-20



15mm - 75mm STROKE
(SEE STROKE RANGE)

BLANK - NO CODE
D - DOUBLE ROD

MB - BOTH END MOUNT
MF - FRONT MOUNT
MR - REAR MOUNT
MS - SIDE MOUNT

EM - INCH THREADS & PORT OPTIONS:

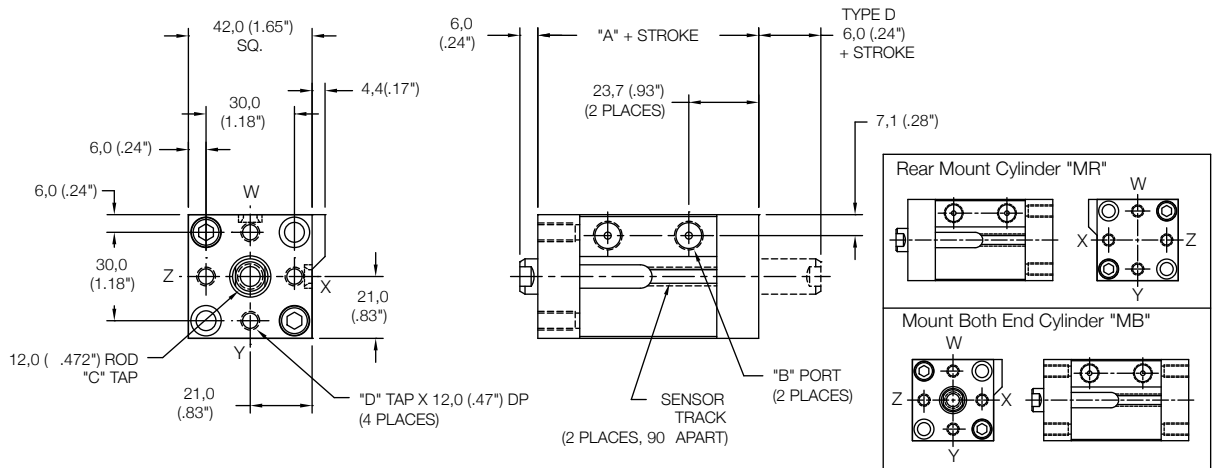
RS - MALE STUD FOR ROD END
(SEE PAGE 61 FOR DETAILS)

RF, RH, RN, RT, RV, RY - ROD EXTENSIONS
(SEE PAGE 61 FOR DETAILS)

Magnetic Front Mount Cylinder "MF"

MODEL	TYPE	STANDARD STROKES	"A"	PISTON AREA
L15	_,D	15mm - 75mm	75,0 (2.95")	PUSH 8,04 cm ² (1.25 in ²) PULL 6,91 cm ² (1.07 in ²)

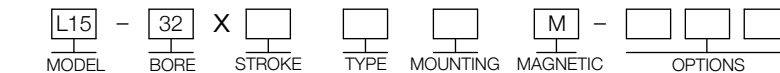
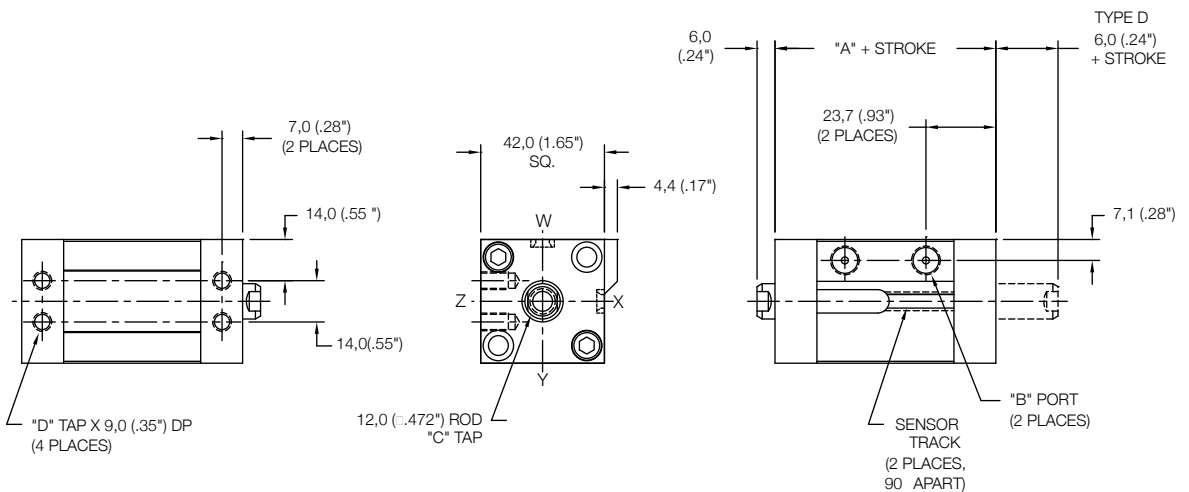
	Standard Threads	"EM" Option
"B"	R 1/8 (1/8-28 BSPT)	1/8-27
"C"	M8X1,25	5/16-18
"D"	M6X1,0	1/4-20



Magnetic Side Mount Cylinder "MS"

MODEL	TYPE	STANDARD STROKES	"A"	PISTON AREA
L15	_,D	15mm - 75mm	75,0 (2.95")	PUSH 8,04 cm ² (1.25 in ²) PULL 6,91 cm ² (1.07 in ²)

	Standard Threads	"EM" Option
"B"	R 1/8 (1/8-28 BSPT)	1/8-27
"C"	M8X1,25	5/16-18
"D"	M6X1,0	1/4-20



15mm - 75mm STROKE
(SEE STROKE RANGE)

BLANK - NO CODE
D - DOUBLE ROD

MB - BOTH END MOUNT
MF - FRONT MOUNT
MR - REAR MOUNT
MS - SIDE MOUNT

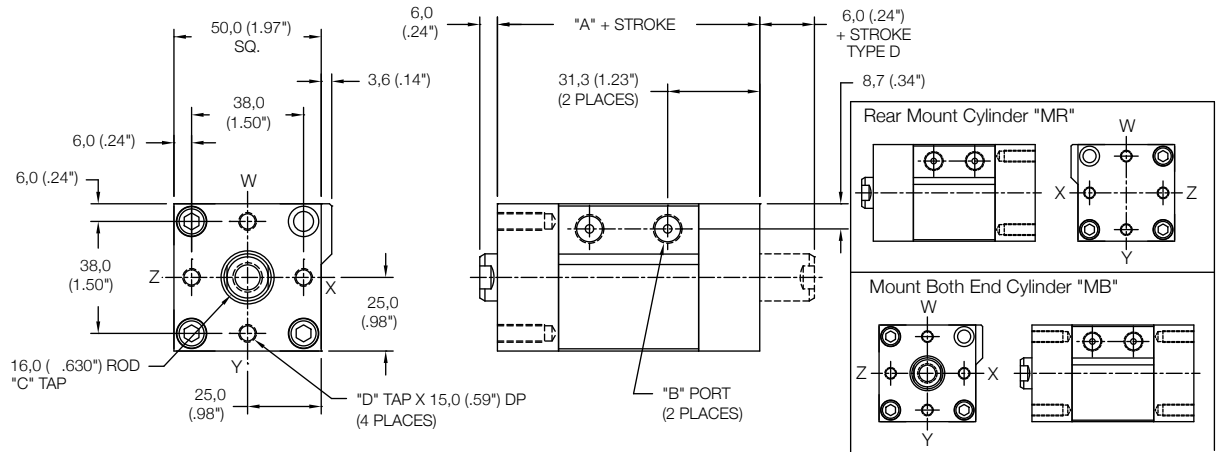
EM - INCH THREADS & PORT OPTIONS:
RS - MALE STUD FOR ROD END
(SEE PAGE 61 FOR DETAILS)
RF, RH, RN, RT, RV, RY - ROD EXTENSIONS
(SEE PAGE 61 FOR DETAILS)

SENSORS SOLD SEPERATELY
SKS, SKP, SCS, SCP - SOLID STATE
LIMIT SENSORS
(SEE PAGE 54 FOR DETAILS)

Non Magnetic Front Mount Cylinder "MF"

MODEL	TYPE	STANDARD STROKES	"A"	PISTON AREA
L15	...D	15mm	76,5 (3.01")	PUSH 12,56 cm ² (1.95 in ²) PULL 10,55 cm ² (1.64 in ²)
		25mm		
		40mm		
		50mm		
		75mm		

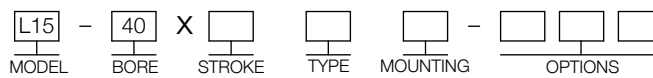
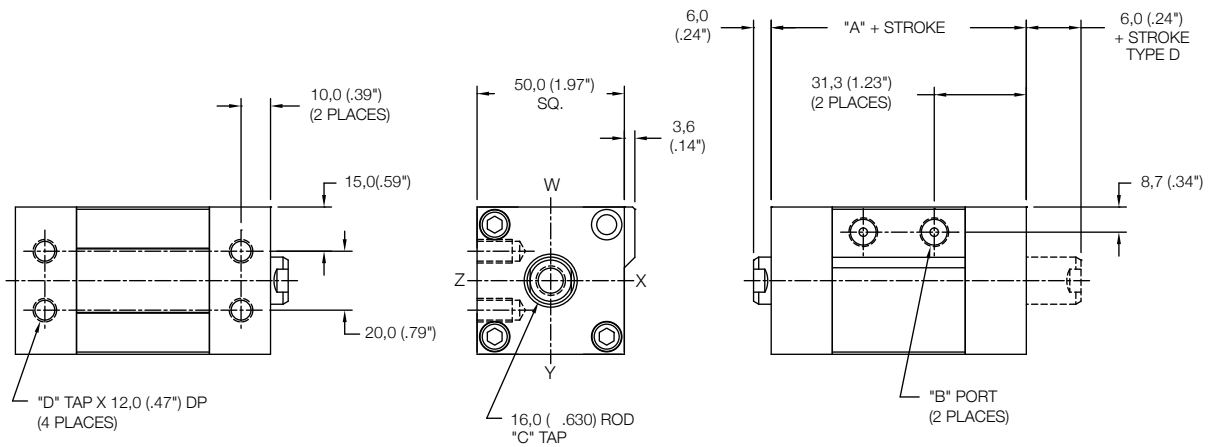
	Standard Threads	"EM" Option
"B"	R 1/8 (1/8-28 BSPT)	1/8-27
"C"	M10X1,5	3/8-24
"D"	M6X1,0	1/4-20



Non Magnetic Side Mount Cylinder "MS"

MODEL	TYPE	STANDARD STROKES	"A"	PISTON AREA
L15	...D	15mm	76,5 (3.01")	PUSH 12,56 cm ² (1.95 in ²) PULL 10,55 cm ² (1.64 in ²)
		25mm		
		40mm		
		50mm		
		75mm		

	Standard Threads	"EM" Option
"B"	R 1/8 (1/8-28 BSPT)	1/8-27
"C"	M10X1,5	3/8-24
"D"	M8X1,25	5/16-18



15mm - 75mm STROKE
(SEE STROKE RANGE)

BLANK - NO CODE
D - DOUBLE ROD

MB - BOTH END MOUNT
MF - FRONT MOUNT
MR - REAR MOUNT
MS - SIDE MOUNT

EM - INCH THREADS & PORT OPTIONS:

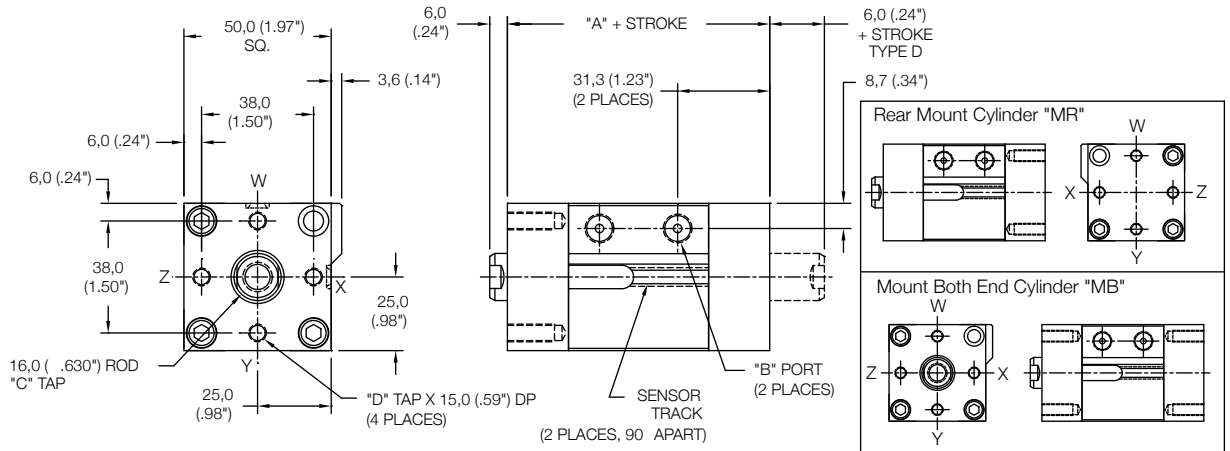
RS - MALE STUD FOR ROD END
(SEE PAGE 61 FOR DETAILS)

RF, RH, RN, RT, RV, RY - ROD EXTENSIONS
(SEE PAGE 61 FOR DETAILS)

Magnetic Front Mount Cylinder "MF"

MODEL	TYPE	STANDARD STROKES	"A"	PISTON AREA
L15	_D	15mm	91,5 (3.60")	PUSH 12,56 cm ² (1.95 in ²) PULL 10,55 cm ² (1.64 in ²)
		25mm		
		40mm		
		50mm		
		65mm		
		75mm		

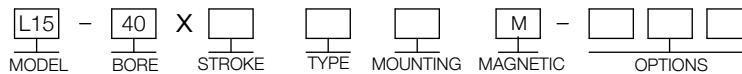
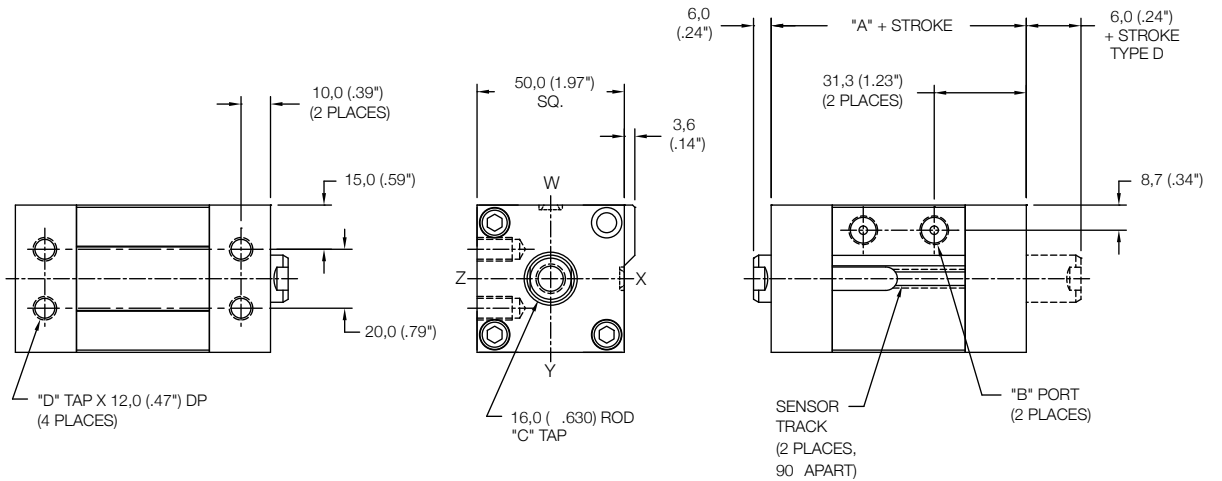
	Standard Threads	"EM" Option
"B"	R 1/8 (1/8-28 BSPT)	1/8-27
"C"	M10X1,5	3/8-24
"D"	M6X1,0	1/4-20



Magnetic Side Mount Cylinder "MS"

MODEL	TYPE	STANDARD STROKES	"A"	PISTON AREA
L15	_D	15mm	91,5 (3.60")	PUSH 12,56 cm ² (1.95 in ²) PULL 10,55 cm ² (1.64 in ²)
		25mm		
		40mm		
		50mm		
		65mm		
		75mm		

	Standard Threads	"EM" Option
"B"	R 1/8 (1/8-28 BSPT)	1/8-27
"C"	M10X1,5	3/8-24
"D"	M8X1,25	5/16-18



15mm - 75mm STROKE
(SEE STROKE RANGE)

BLANK - NO CODE
D - DOUBLE ROD

MB - BOTH END MOUNT
MF - FRONT MOUNT
MR - REAR MOUNT
MS - SIDE MOUNT

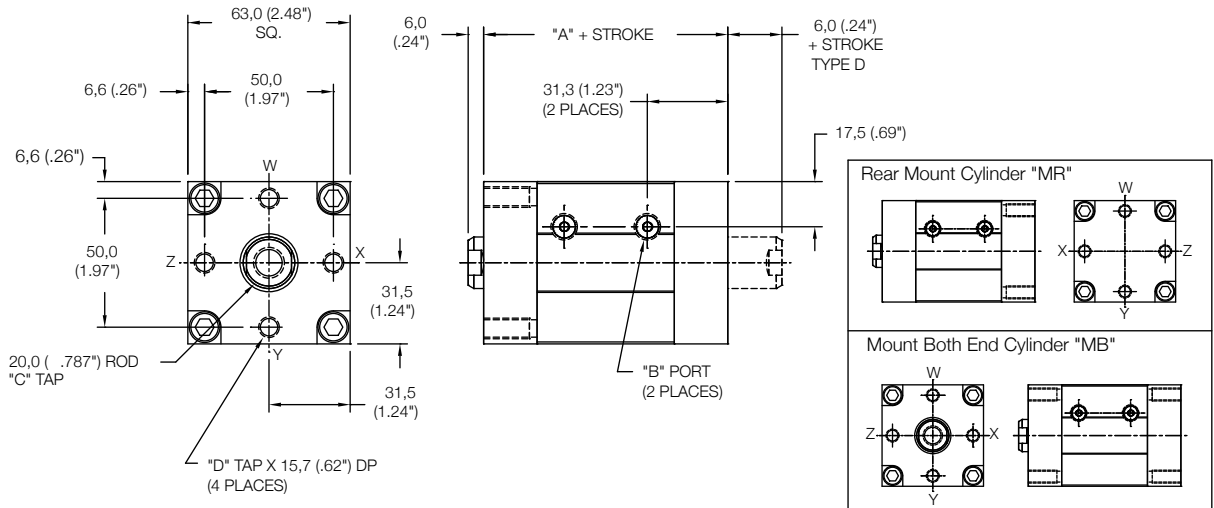
EM - INCH THREADS & PORT OPTIONS:
RS - MALE STUD FOR ROD END
(SEE PAGE 61 FOR DETAILS)
RF, RH, RN, RT, RV, RY - ROD EXTENSIONS
(SEE PAGE 61 FOR DETAILS)

SENSORS SOLD SEPARATELY
SKS, SKP, SCS, SCP - SOLID STATE
LIMIT SENSORS
(SEE PAGE 54 FOR DETAILS)

Non Magnetic Front Mount Cylinder "MF"

MODEL	TYPE	STANDARD STROKES	"A"	PISTON AREA
L15	...D	15mm	80,0 (3.15")	PUSH 19,63 cm ² (3.04 in ²) PULL 17,62 cm ² (2.73 in ²)
		25mm		
		40mm		
		50mm		
		65mm		
		75mm		

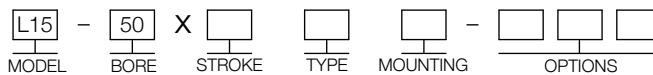
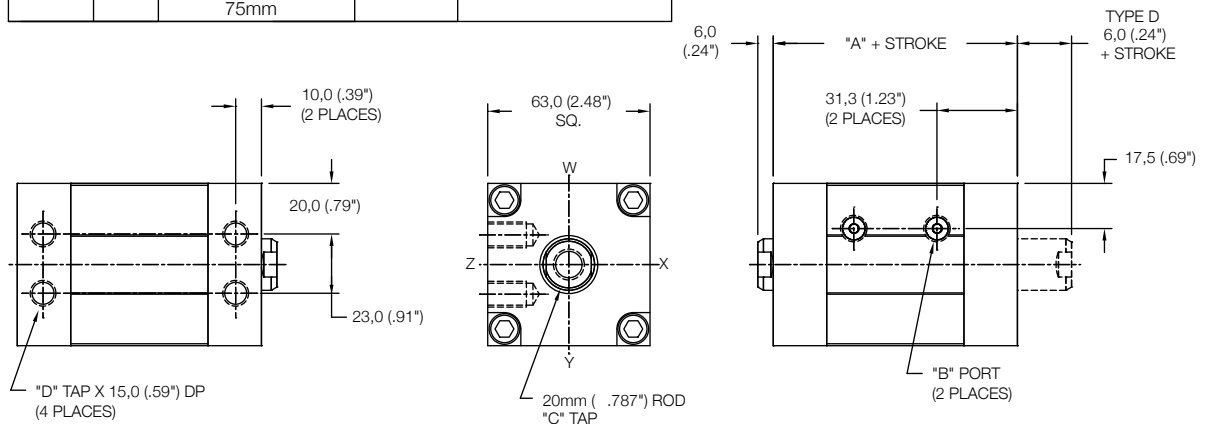
	Standard Threads	"EM" Option
"B"	R 1/8 (1/8-28 BSPT)	1/8-27
"C"	M12X1,75	1/2-13
"D"	M8X1,25	5/16-18



Non Magnetic Side Mount Cylinder "MS"

MODEL	TYPE	STANDARD STROKES	"A"	PISTON AREA
L15	...D	15mm	80,0 (3.15")	PUSH 19,63 cm ² (3.04 in ²) PULL 17,62 cm ² (2.73 in ²)
		25mm		
		40mm		
		50mm		
		65mm		
		75mm		

	Standard Threads	"EM" Option
"B"	R 1/8 (1/8-28 BSPT)	1/8-27
"C"	M12X1,75	1/2-13
"D"	M8X1,25	5/16-18



15mm - 75mm STROKE
(SEE STROKE RANGE)

BLANK - NO CODE
D - DOUBLE ROD

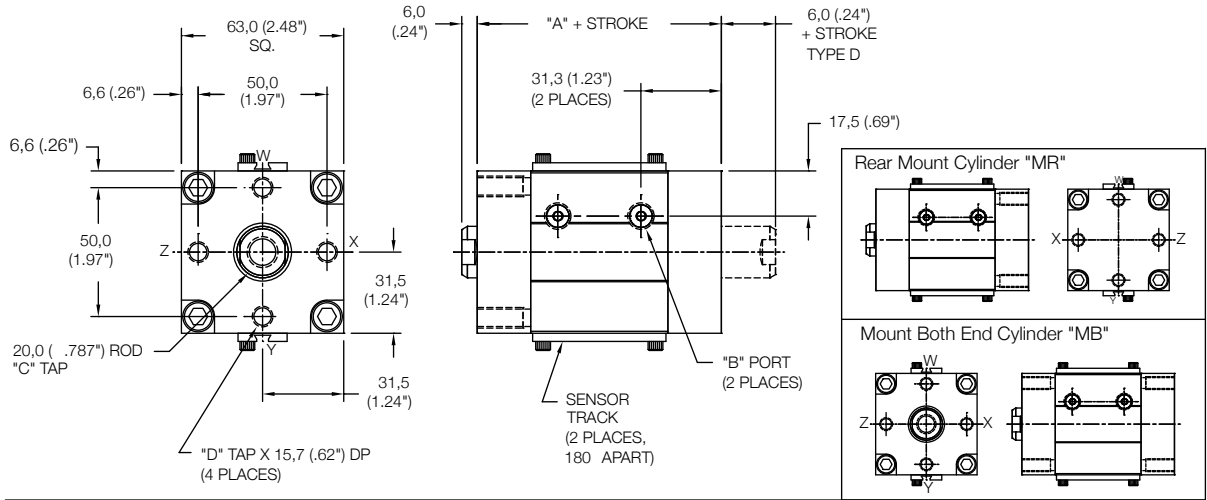
MB - BOTH END MOUNT
MF - FRONT MOUNT
MR - REAR MOUNT
MS - SIDE MOUNT

EM - INCH THREADS & PORT OPTIONS:
RS - MALE STUD FOR ROD END
(SEE PAGE 61 FOR DETAILS)
RF, RH, RN, RT, RV, RY - ROD EXTENSIONS
(SEE PAGE 61 FOR DETAILS)

Magnetic Front Mount Cylinder "MF"

MODEL	TYPE	STANDARD STROKES	"A"	PISTON AREA
L15	..D	15mm	95,0 (3.74")	PUSH 19,63 cm ² (3.04 in ²)
		25mm		
		40mm		PULL 17,62 cm ² (2.73 in ²)
		50mm		
		65mm		
75mm				

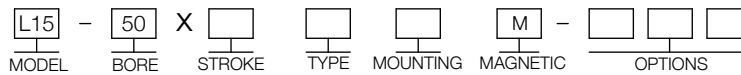
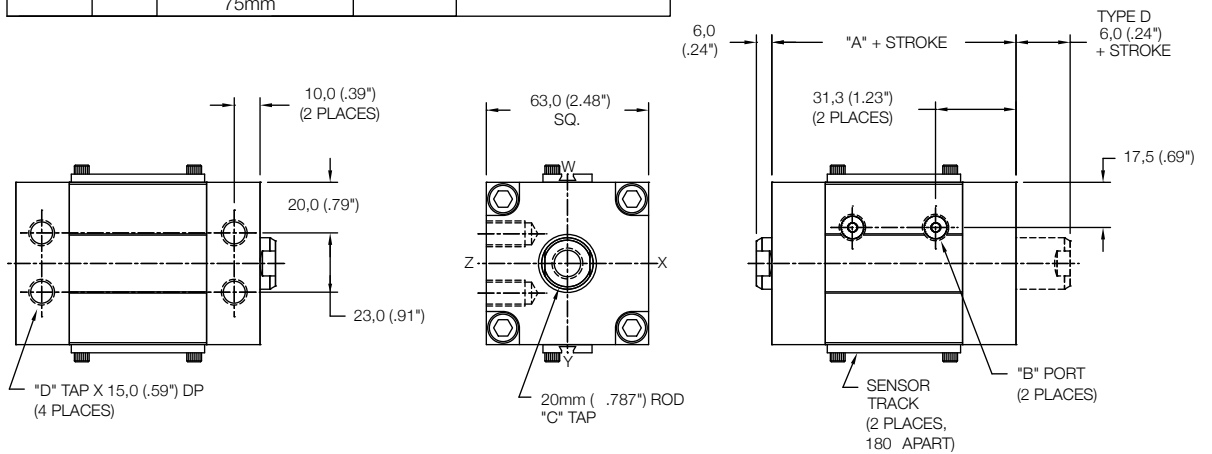
	Standard Threads	"EM" Option
"B"	R 1/8 (1/8-28 BSPT)	1/8-27
"C"	M12X1,75	1/2-13
"D"	M8X1,25	5/16-18



Magnetic Side Mount Cylinder "MS"

MODEL	TYPE	STANDARD STROKES	"A"	PISTON AREA
L15	..D	15mm	95,0 (3.74")	PUSH 19,63 cm ² (3.04 in ²)
		25mm		
		40mm		PULL 17,62 cm ² (2.73 in ²)
		50mm		
		65mm		
75mm				

	Standard Threads	"EM" Option
"B"	R 1/8 (1/8-28 BSPT)	1/8-27
"C"	M12X1,75	1/2-13
"D"	M8X1,25	5/16-18



15mm - 75mm STROKE
(SEE STROKE RANGE)

BLANK - NO CODE
D - DOUBLE ROD

MB - BOTH END MOUNT
MF - FRONT MOUNT
MR - REAR MOUNT
MS - SIDE MOUNT

EM - INCH THREADS & PORT OPTIONS:
RS - MALE STUD FOR ROD END
(SEE PAGE 61 FOR DETAILS)
RF, RH, RN, RT, RV, RY - ROD EXTENSIONS
(SEE PAGE 61 FOR DETAILS)

SENSORS SOLD SEPARATELY
SKS, SKP, SCS, SCP - SOLID STATE
LIMIT SENSORS
(SEE PAGE 54 FOR DETAILS)

NASON

NEW THINKING

1307 S Highway 11 • Walhalla SC 29691
800.229.4955 • Phone: 864.638.9521
Fax: 864.638.7903 • Orders: 800.229.4955
www.nasonptc.com

WARRANTY:

It is the sole responsibility of the user to determine the suitability of any product or information supplied by Nason for any application or use by the user.

THE FOLLOWING IS IN LIEU OF ALL OTHER WARRANTIES, EXPRESS OR IMPLIED, INCLUDING THOSE OF MERCHANTABILITY AND FITNESS FOR A PARTICULAR PURPOSE.

The Nason Company warrants each product to be free from defects in material and workmanship under normal use and service. Nason's obligation under this warranty is limited to repairing or supplying, at our option, a part or parts to replace any defective part(s) within one (1) year from the date of original sale. Wear components including but not limited to seals, wear bands, and bearings are excluded from this warranty. No product will be returned without prior authorized approval. If authorized, the transportation charges are to be prepaid to The Nason Company, Walhalla, SC. Unauthorized returns will be returned freight collect. The provisions of this warranty will not apply to any part(s) which have been subject to misuse, negligence, or accident, or which have been repaired or altered outside of The Nason Company service department in any way so as in the judgement of Nason to adversely affect its performance, stability, or reliability. The Nason Company neither assumes nor authorizes anyone to assume for it any other obligation or liability for any loss or damage either direct, incidental or consequential resulting from or arising out of or in connection with any of its defective part(s). Nason will not be responsible for any labor or other charges in connection with the removal of a product deemed to be defective or for installation or replacement of a defective or repaired product. Buyer's sole remedies are as provided herein. In no event shall Nason be liable for any cost of Buyer's cover, or for any indirect, special, consequential, incidental, or punitive damages of any sort, whether based on tort or breach of contract and/or warranty.

Request Nason's catalog
of custom engineered
switches by calling toll
free 800-229-4955 or
visit our website at
www.nasonptc.com

