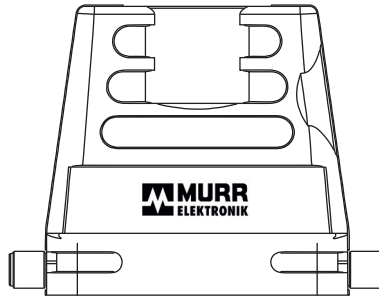
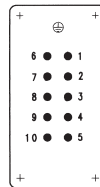


MODLINK HEAVY FIXED POLE OVERVIEW – SIZE B10, B16 & B24



Hood
Single locking lever
Top / side entry
IP65/IP67

B10

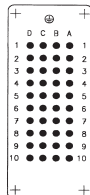


E-Series
500 V / 16 A
10 + PE
Screw locking /
Crimp / Push-in

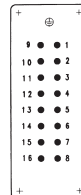


EE-Series
500 V / 16 A
18 + PE
Crimp

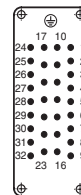
B16



D-Series
250 V / 10 A
40 + PE
Crimp

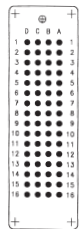


E-Series
500 V / 16 A
16 + PE
Screw locking /
Crimp / Push-in

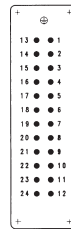


EE-Series
500 V / 16 A
32 + PE
Crimp

B24



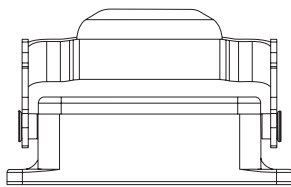
D-Series
250 V / 10 A
64 + PE
Crimp



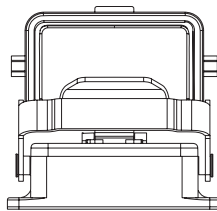
E-Series
500 V / 16 A
24 + PE
Screw locking / Crimp /
Push-in



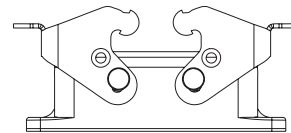
EE-Series
500 V / 16 A
46 + PE
Crimp



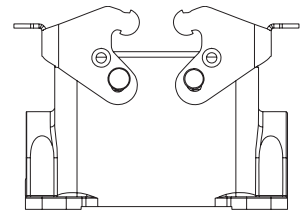
Bulkhead mounted housing
Single locking lever
IP65



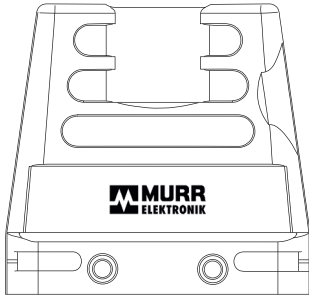
Bulkhead mounted housing
with protection cover
Single locking lever
IP65



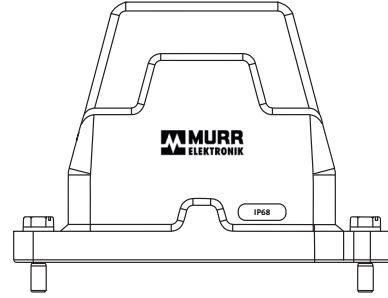
Bulkhead mounted housing
Double locking lever
IP65/IP6



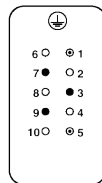
Surface mounted housing
Double locking lever
IP65



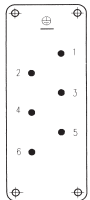
Hood
Double locking lever
Top / side entry
IP65/IP67



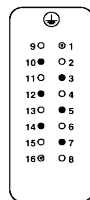
Hood
Screw locking
Top / side entry
IP68



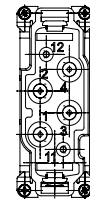
HV-Series
800/500V
16 A
3 + 2 + PE
Push-in



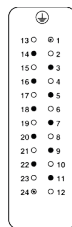
HSE-Series
400 V / 42 A
6 + PE
Screw locking



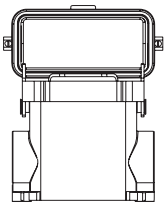
HV-Series
800/500 V
16 A
6 + 2 + PE
Push-In



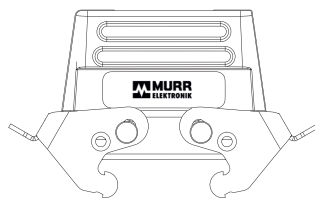
K-Series
830/400 V
80/16 A
4 + 2 + PE
Screw locking



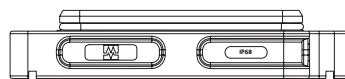
HV-Series
800/500V
16 A
10 + 2 + PE
Push-in



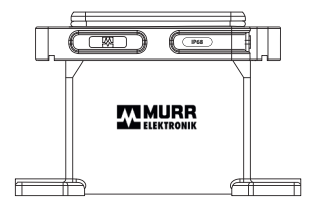
Surface mounted housing
with protection cover
Single locking lever
IP65



Coupling housing
Double locking lever
IP65



Bulkhead mounted housing
Screw locking
IP68



Surface mounted housing
Screw locking
IP68

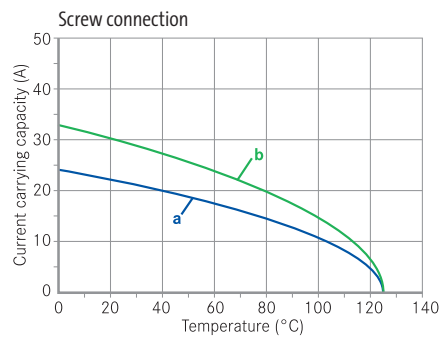
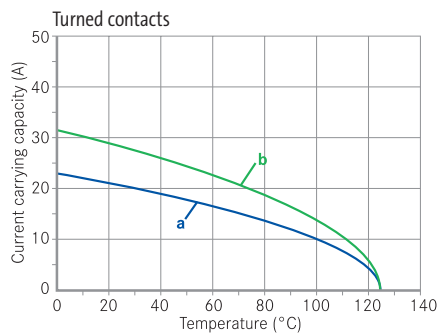
MODLINK HEAVY B10 – INSERTS | E-SERIES

Technical data

General data	Norm	Value
Size		B10
No. of poles		10 + PE
Connection		Screw locking / Crimp / Push-In
Connection cross section		0.5 ... 2.5 mm ²
Material (contact carrier)		PA GF grey / PA GF grey / PA
Material (contact)		CuZn (Brass)
Material (contact surface)		Ag (silver)
Flammability class	UL 94	V - 0
Climatic category		40/125/10
Temperature range		-40 °C ... +125°C
Approvals		UL, CSA
Technical data		
Operating voltage		500 V
Operating current		16 A
Pollution degree	EN 60664-1	3
Over voltage category	EN 60664-1	III
Material group	EN 60664-1	IIIb
Rated impulse voltage	EN 60664-1	6 kV
Current carrying capacity	EN 60512-5-2	See derating curve
Contact resistance	EN 60512-2-1	≤ 5 mΩ
Isolation resistance	EN 60512-3-1	≥ 10 ¹⁰ Ω
Mating cycles	EN 60512-9-1	min. 500
Tightening torque clamping screws		0.5 Nm

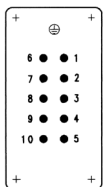
Derating Curves

Curve	Cross section
a	1.5 mm ²
b	2.5 mm ²

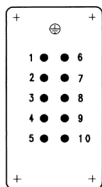


Contact configuration


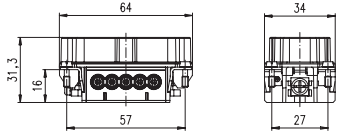

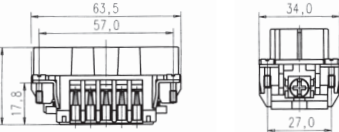
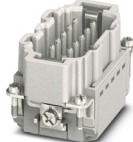
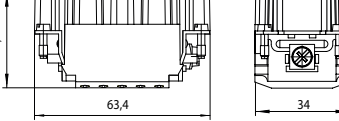
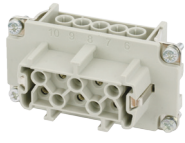
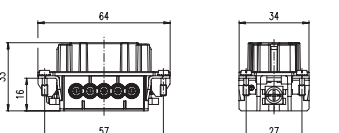
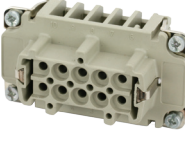
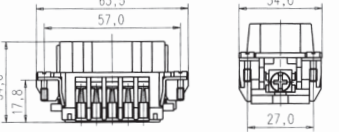
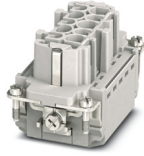
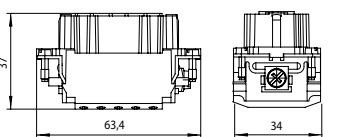
Male insert



Female insert



Inserts

Male		Description	Art-No.
		B10 male 10-pole, screw t., 500 V, 16 A	70MH-ES010-ES03020
		B10 male 10-pole, crimp t., 500 V, 16 A	70MH-ES010-EC03020
		B10 male 10-pole, Push-in, 500 V, 16 A	70MH-ES010-EP03020
Female		Description	Art-No.
		B10 female 10-pole, screw t., 500 V, 16 A	70MH-EB010-ES03020
		B10 female 10-pole, crimp t., 500 V, 16 A	70MH-EB010-EC03020
		B10 female 10-pole, Push-in, 500 V, 16 A	70MH-EB010-EP03020

Crimp contacts

Turned crimp contacts 1.6	Delivery form	for wire cross section	AWG	Pcs.	Art-No.	Art-No.
					Male contact	Female contact
	Silver plated	0.5 mm ²	20	100	70MH-ZKA1S-0200200	70MH-ZKB1S-0200200
		0.75 – 1.0 mm ²	18	100	70MH-ZKA1S-0200300	70MH-ZKB1S-0200300
		1.5 mm ²	16	100	70MH-ZKA1S-0200400	70MH-ZKB1S-0200400
		2.5 mm ²	14	100	70MH-ZKA1S-0200500	70MH-ZKB1S-0200500
		4.0 mm ²	12	100	70MH-ZKA1S-0200600	70MH-ZKB1S-0200600
Golden plated		0.5 mm ²	20	100	70MH-ZKA1G-0200200	70MH-ZKB1G-0200200
		0.75 – 1.0 mm ²	18	100	70MH-ZKA1G-0200300	70MH-ZKB1G-0200300
		1.5 mm ²	16	100	70MH-ZKA1G-0200400	70MH-ZKB1G-0200400
		2.5 mm ²	14	100	70MH-ZKA1G-0200500	70MH-ZKB1G-0200500
		4.0 mm ²	12	100	70MH-ZKA1G-0200600	70MH-ZKB1G-0200600

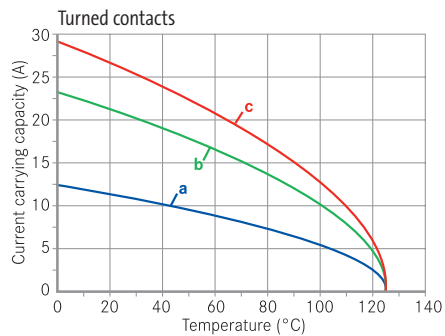
MODLINK HEAVY B10 – INSERTS | EE-SERIES

Technical data

General data	Norm	Value
Size		B10
No. of poles		18 + PE
Connection		Crimp
Material (contact carrier)		PA GF grey
Flammability class	UL 94	V-0
Climatic category		40/125/10
Temperature range		-40 °C ... +125°C
Approvals		UL, CSA
Technical data		
Operating voltage		500 V
Operating current		16 A
Pollution degree	EN 60664-1	3
Over voltage category	EN 60664-1	III
Material group	EN 60664-1	IIIa
Rated impulse voltage	EN 60664-1	6 kV
Current carrying capacity	EN 60512-5-2	See derating curve
Contact resistance	EN 60512-2-1	≤ 5 mΩ
Isolation resistance	EN 60512-3-1	≥ 10 ¹⁰ Ω
Mating cycles	EN 60512-9-1	min. 500
Tightening torque clamping screws		0.5 Nm

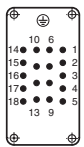
Derating Curves

Curve	Cross section
a	0.5 mm ²
b	2.5 mm ²
c	4.0 mm ²

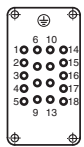


Contact configuration


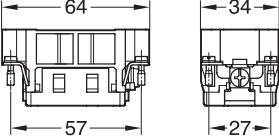

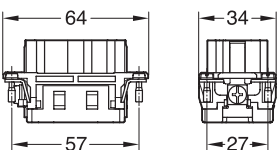
Male insert




Female insert



Inserts

Male		Description	Art-No.
		B10 male 18-pole, crimp t., 500 V, 16 A	70MH-ES018-EC03020
Female		Description	Art-No.
		B10 female 18-pole, crimp t., 500 V, 16 A	70MH-EB018-EC03020

Crimp contacts

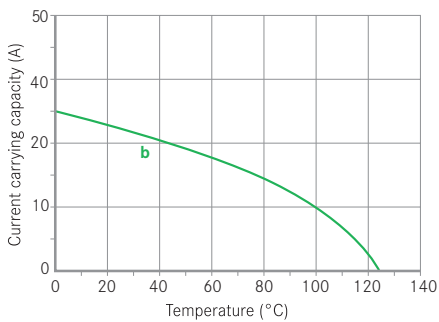
Turned crimp contacts 2.5 mm	Delivery form	for wire cross section	AWG	Pcs.	Art-No.	Art-No.
					Male contact	Female contact
	Silver plated	0.5 mm ²	20	100	70MH-ZKA1S-0200200	70MH-ZKB1S-0200200
		0.75 – 1.0 mm ²	18	100	70MH-ZKA1S-0200300	70MH-ZKB1S-0200300
		1.5 mm ²	16	100	70MH-ZKA1S-0200400	70MH-ZKB1S-0200400
		2.5 mm ²	14	100	70MH-ZKA1S-0200500	70MH-ZKB1S-0200500
		4.0 mm ²	12	100	70MH-ZKA1S-0200600	70MH-ZKB1S-0200600
	Golden plated	0.5 mm ²	20	100	70MH-ZKA1G-0200200	70MH-ZKB1G-0200200
		0.75 – 1.0 mm ²	18	100	70MH-ZKA1G-0200300	70MH-ZKB1G-0200300
		1.5 mm ²	16	100	70MH-ZKA1G-0200400	70MH-ZKB1G-0200400
		2.5 mm ²	14	100	70MH-ZKA1G-0200500	70MH-ZKB1G-0200500
		4.0 mm ²	12	100	70MH-ZKA1G-0200600	70MH-ZKB1G-0200600

MODLINK HEAVY B10 – INSERTS | HV-SERIES

Technical data

General data	Norm	Value
Size		B10
No. of poles		3+2 + PE
Connection		Push-In
Connection cross section		0.14 ... 2.5 mm ²
Material (contact carrier)		PA
Material (contact)		Copper alloy
Material (contact surface)		Ag
Flammability class	UL 94	V - 0
Temperature range		-40 °C ... +125°C
Approvals		UL, CSA
Technical data		
Operating voltage		800 / 500 V
Operating current		16 A
Pollution degree	EN 60664-1	3
Over voltage category	EN 60664-1	III
Material group	EN 60664-1	IIIa
Rated impulse voltage	EN 60664-1	8 / 6 kV
Current carrying capacity	EN 60512-5-2	See derating curve
Mating cycles	EN 60512-9-1	min. 500

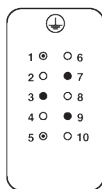
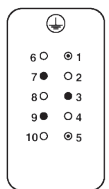
Derating Curves



Contact configuration

Male insert

Female insert

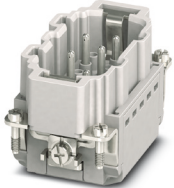
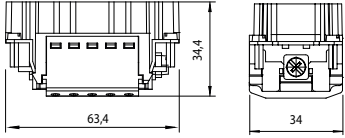
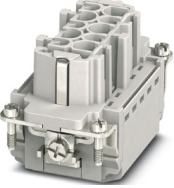
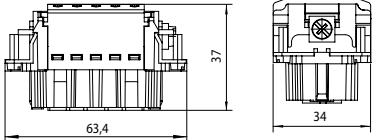


ST



BU


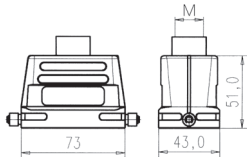

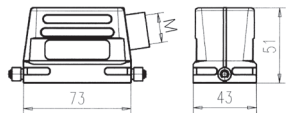
Inserts

Male		Description	Art-No.
		<p>B10 male 3+2-pole, Push-in, 800/500 V, 16 A</p>	<p>70MH-ES3U2-EP05020</p>
Female		Description	Art-No.
		<p>B10 female 3+2-pole, Push-in, 800/500 V, 16 A</p>	<p>70MH-EB3U2-EP05020</p>

MODLINK HEAVY B10 – HOUSINGS | HOODS FOR SINGLE LOCKING LEVER

Technical data

General data	Value
Housing material	Aluminium diecast
Material (Housing surface)	Powder coated
Technical data	
Protection class housing	IP65
Mating cycles	min. 500

	Dimension drawing	Description	M	Art-No.
		B10 Hood, low profile, IP65, Single locking lever, top entry M25	20 25	70MH-GTENL-A01B000 70MH-GTENL-A01C000
		B10 Hood, high profile, IP65, Single locking lever, top entry M25	25 32	70MH-GTEHL-A01C000 70MH-GTEHL-A01D000
		B10 Hood, low profile, IP65, Single locking lever, side entry M20	20 25	70MH-GTENL-A02B000 70MH-GTENL-A02C000
		B10 Hood, high profile, IP65, Single locking lever, side entry M25	25 32	70MH-GTEHL-A02C000 70MH-GTEHL-A02D000

MODLINK HEAVY B10 – HOUSINGS | HOUSINGS WITH SINGLE LOCKING LEVER

Technical data


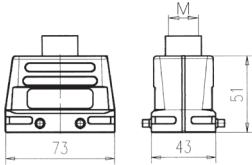

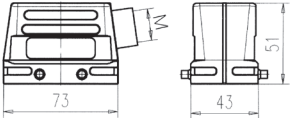

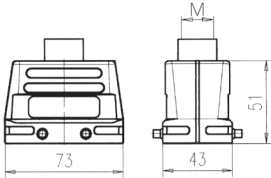

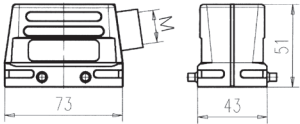
General data	Value
Housing material	Aluminium diecast
Material (Housing surface)	Powder coated
Locking material	Steel (galvanized)
Material (Gasket)	NBR
Technical data	
Protection class housing	IP65
Mating cycles	min. 500

	Dimension drawing	Description	M	Art-No.
		B10 Bulkhead mounted h., IP65, Single locking lever		70MH-GAENL-B000000
		B10 Bulkhead mounted h., IP65, Single locking lever, p-cover		70MH-GAENL-B000010
		B10 Surface mounted h., low profile, IP65, Single locking lever, side entry M20, p-cover (h: 57)	20	70MH-GSENL-B01B010
		B10 Surface mounted h., high profile, IP65, Single locking lever, side entry M25, p-cover (h: 74)	25	70MH-GSEHL-B01C010
		B10 Surface mounted h., high profile, IP65, Single locking lever, 2 entries M25, p-cover (h: 74)	25	70MH-GSEHL-B02C010

MODLINK HEAVY B10 – HOUSINGS | HOODS FOR DOUBLE LOCKING LEVER

Technical data


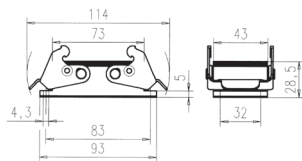

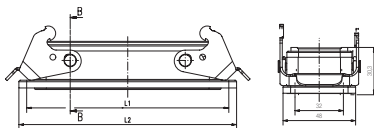

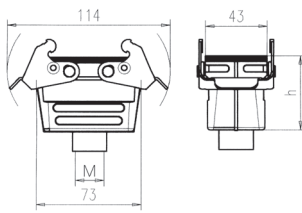
General data	Value
Housing material	Aluminium diecast
Material (Housing surface)	Powder coated
Technical data	
Protection class housing	IP65/IP67
Mating cycles	min. 500

	Dimension drawing	Description	M	Art-No.
		B10 Hood, low profile, IP65, Double locking lever, top entry M20	20 25	70MH-GTENQ-A01B000 70MH-GTENQ-A01C000
		B10 Hood, high profile, IP65, Double locking lever, top entry M25	25 32	70MH-GTEHQ-A01C000 70MH-GTEHQ-A01D000
		B10 Hood, low profile, IP65, Double locking lever, side entry M20	20 25	70MH-GTENQ-A02B000 70MH-GTENQ-A02C000
		B10 Hood, high profile, IP65, Double locking lever, side entry M25	25 32	70MH-GTEHQ-A02C000 70MH-GTEHQ-A02D000
		B10 Hood, low profile, IP67, Double locking lever, top entry M25		70MH-GTENQ-A01C100
		B10 Hood, low profile, IP67, Double locking lever, side entry M25		70MH-GTENQ-A02C100


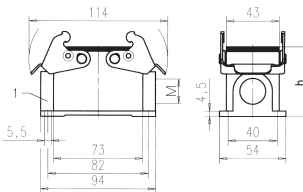

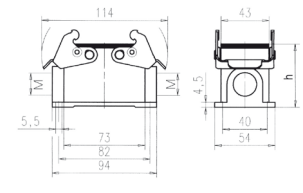
MODLINK HEAVY B10 – HOUSINGS | HOUSINGS WITH DOUBLE LOCKING LEVER

Technical data

General data	Value
Housing material	Aluminium diecast
Material (Housing surface)	Powder coated
Locking material	Steel (galvanized)
Material (Gasket)	NBR / CR
Technical data	
Protection class housing	IP65/IP67
Mating cycles	min. 500

	Dimension drawing	Description	M	Art-No.
		B10 Bulkhead mounted h., IP65, Double locking lever		70MH-GAENQ-B000000
		B10 Bulkhead mounted h., IP67, Double locking lever		70MH-GAENQ-B000100
		B10 Coupling h., low profile, IP65, Double locking lever, top entry M25 (h: 53,5)	25	70MH-GKENQ-B01C000
		B10 Coupling h., high profile, IP65, Double locking lever, top entry M25 (h: 72,5)	25	70MH-GKEHQ-B01C000


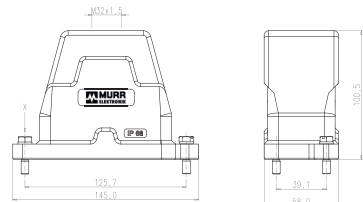

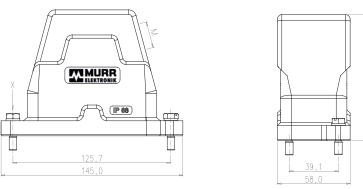
MODLINK HEAVY B10 – HOUSINGS | HOUSINGS WITH DOUBLE LOCKING LEVER

	Dimension drawing	Description	M	Art-No.
		B10 Surface mounted h., low profile, IP65, Double locking lever, side entry M25 (h: 57)	25	70MH-GSEHQ-B01C000
		B10 Surface mounted h., high profile, IP65, Double locking lever, side entry M25 (h: 74)	25	70MH-GSEHQ-B01C000
		B10 Surface mounted h., high profile, IP65, Double locking lever, 2 entries M25 (h: 74)	25	70MH-GSEHQ-B02C000

MODLINK HEAVY B10 – HOUSINGS | HOUSINGSUNTERTEILE MIT SCREWVERRIEGELUNG

Technical data


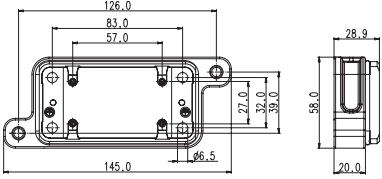

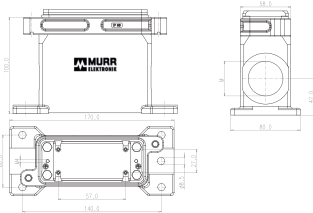
General data	Value
Housing material	Aluminium diecast
Material (Housing surface)	Powder coated
Locking material	Stainless steel
Material (Gasket)	Silicone
Technical data	
Protection class housing	IP68
Mating cycles	min. 500

	Dimension drawing	Description	M	Art-No.
		B10 Hood, IP68, Screw locking, top entry M32	32	70MH-GTENS-A01D200
		B10 Hood, IP68, Screw locking, side entry M32	32	70MH-GTENS-A02D200

MODLINK HEAVY B10 – HOUSINGS | HOUSINGS FOR SCREW LOCKING

Technical data

General data	Value
Housing material	Aluminium diecast
Material (Housing surface)	Powder coated
Material (Gasket)	Silicone
Technical data	
Protection class housing	IP68
Mating cycles	min. 500

	Dimension drawing	Description	M	Art-No.
		B10 Bulkhead mounted h., IP68, Screw locking		70MH-GAENS-B000200
		B10 Surface mounted h., IP68, Screw locking, side entry M32	32	70MH-GSENS-B01D200