

M12 DISTRIBUTION SYSTEMS (PLASTIC)

For safety wiring

– Sets (basic module and cap)

– Field-wireable

MSDS8

without electrical feedback



MSDS8R

with electrical feedback



1 Form

98752

98750

Type

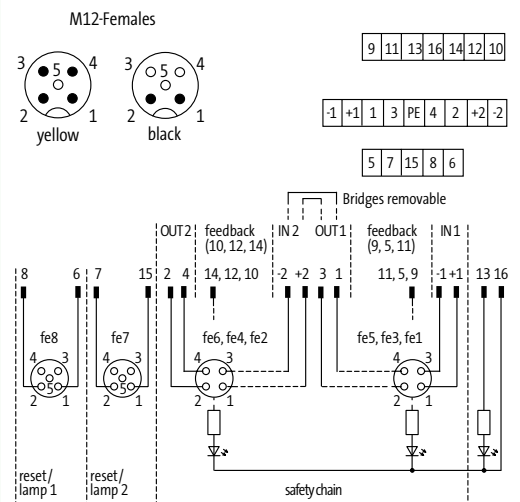
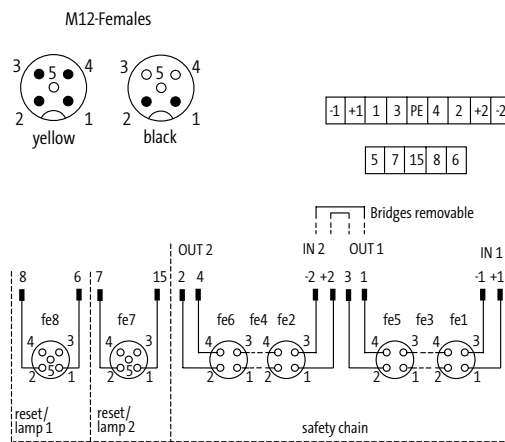
without LED

with LED

Contact layout

Screw plug-in terminals

Screw plug-in terminals



Technical Data

Operating voltage	24 V DC (EN 61131-2)
Operating current (chain)	max. per 1 A
Operating current (black females)	max. per 1 A
Isolation resistance	min. 1000 MOhm
Material group	(EN 60664-1) over voltage, category III

Contact Layout

Contact 1	MSDS: 11 (yellow), 13 (black); EMERGENCY-STOP: 11 (black)
Contact 2	MSDS: 12 (yellow), 14 (black); EMERGENCY-STOP: 12 (black)
Contact 3	MSDS: 21 (yellow); EMERGENCY-STOP: 21 (black)
Contact 4	MSDS: 22 (yellow); EMERGENCY-STOP: 22 (black)
LED display	–
	LED (green): power / LED (yellow): EMERGENCY-STOP

Article No.

The composition of your article number is explained on page 3.1.i

8 0 0 0

1 Form

0 0 0

0 0 0 0

Notes