

Plunger

## Type 10PI Plunger Operated Regulator

This reliable plunger operated regulator provides unmatched accuracy and repeatability. Regulated pressure is changed by direct linear actuation of the plunger instead of turning a knob.

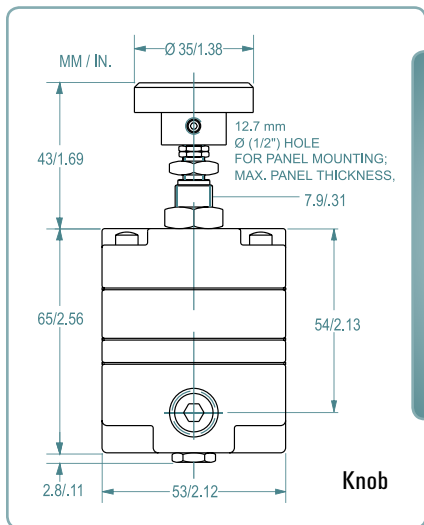
Plunger Travel			
Pressure Range		Plunger Travel*	
BAR	psig	mm	inch
0.1-1.7	2-25	1.9	.075
0.1-4.1	2-60	2.3	.090
0.1-8.3	2-120	2.5	.100

\*±10% manufacturing tolerance

### Return Spring

0.4 in. (10mm) nominal return height; 7 oz. (200g) approximate preload force; 7.5 lb./in. (135g/mm) approximate spring rate, between 0.4 in. (10mm) and 0.24 in. (6.5mm) compressed height.

Plunger Knob Material: Steel

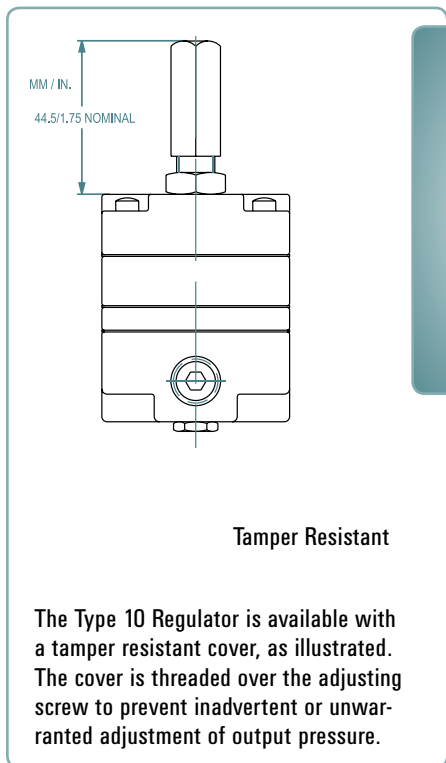


Knob

The basic Type 10 Regulator is offered with a choice of three port sizes and three output ranges.

## Type 10HR & 10EXHR High Relief Regulators

Similar in proven accuracy and rugged construction to other Type 10 Regulators, these units provide extra fast "blowdown" for very rapid release of down stream pressure. The extra relief feature makes these regulators suitable for cylinder return stroke actuation, air hoists, and similar applications requiring fast exhaust.



Tamper Resistant

The Type 10 Regulator is available with a tamper resistant cover, as illustrated. The cover is threaded over the adjusting screw to prevent inadvertent or unwarranted adjustment of output pressure.

## Type 10LR Low Range Regulator

The main feature of the Type 10LR is its low-range pressure characteristic. It operates on a maximum of 50 psig / 3.4 BAR supply pressure and offers an output pressure range of 0.5 psig / 0.03 BAR to 25 psig / 1.7 BAR

The Type 10 Regulator is also available with bottom ports, (Type 1 OBM) consult factory.

