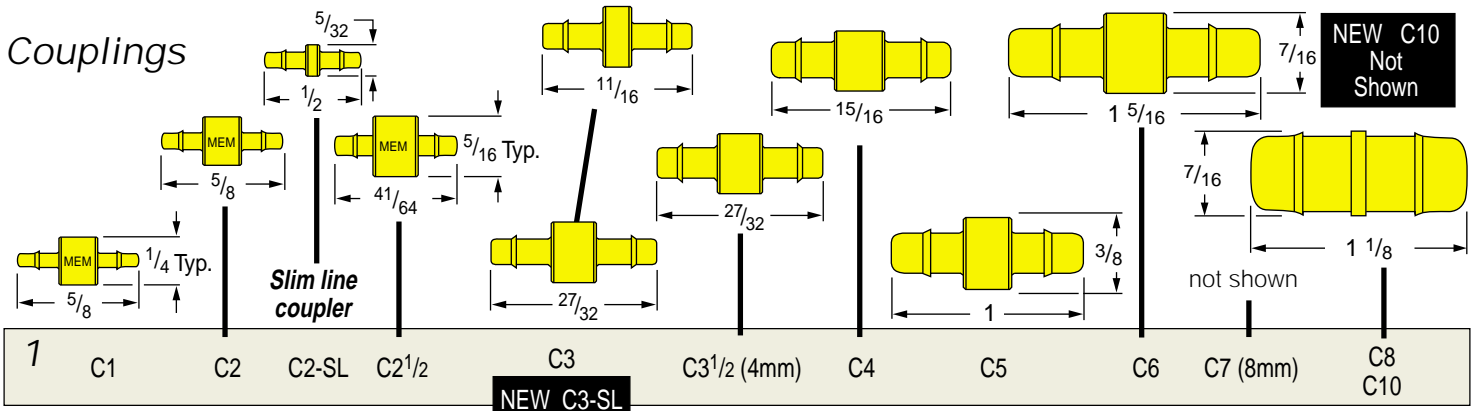
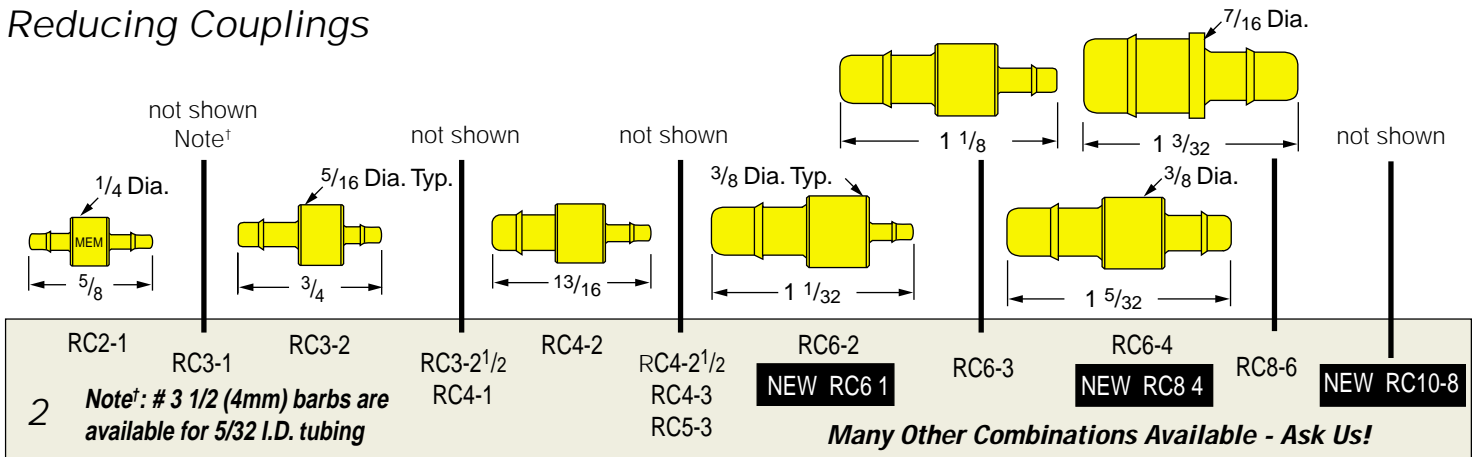


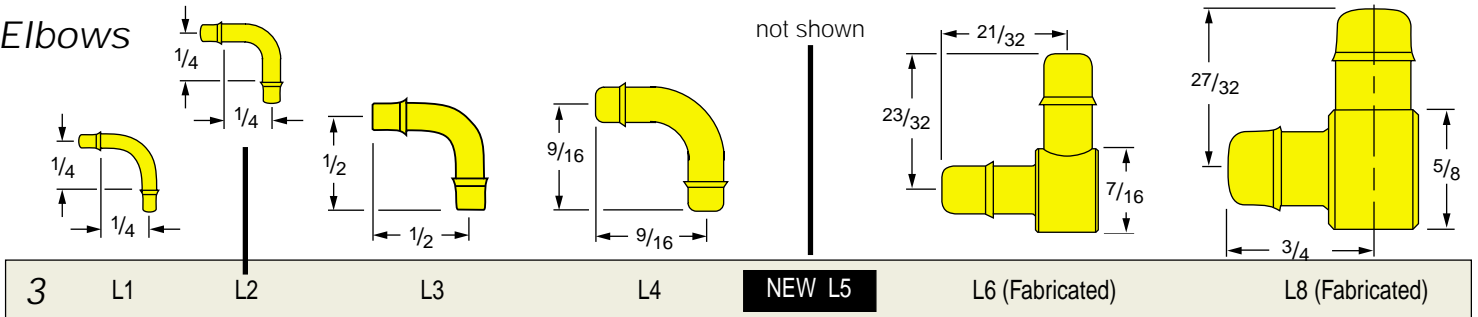
Couplings



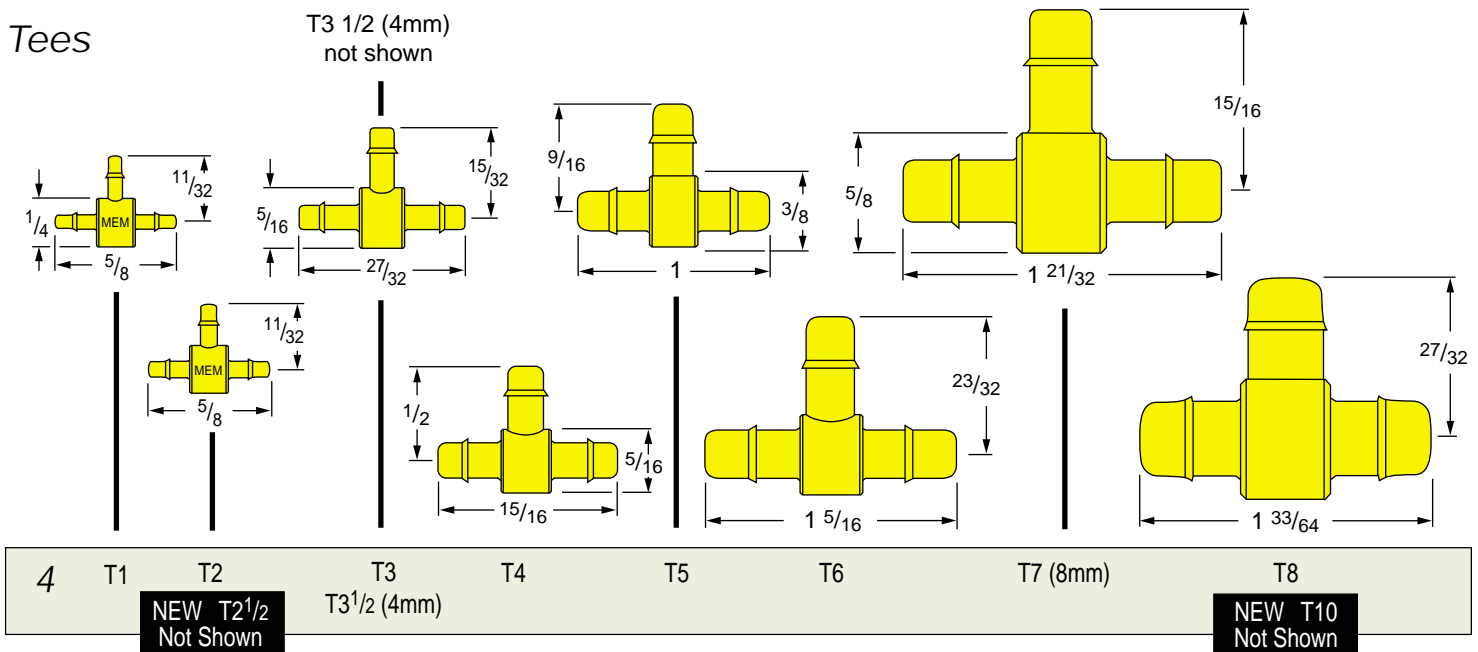
Reducing Couplings



Elbows



Tees

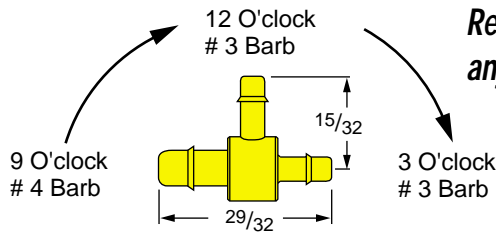


Reducing Tees

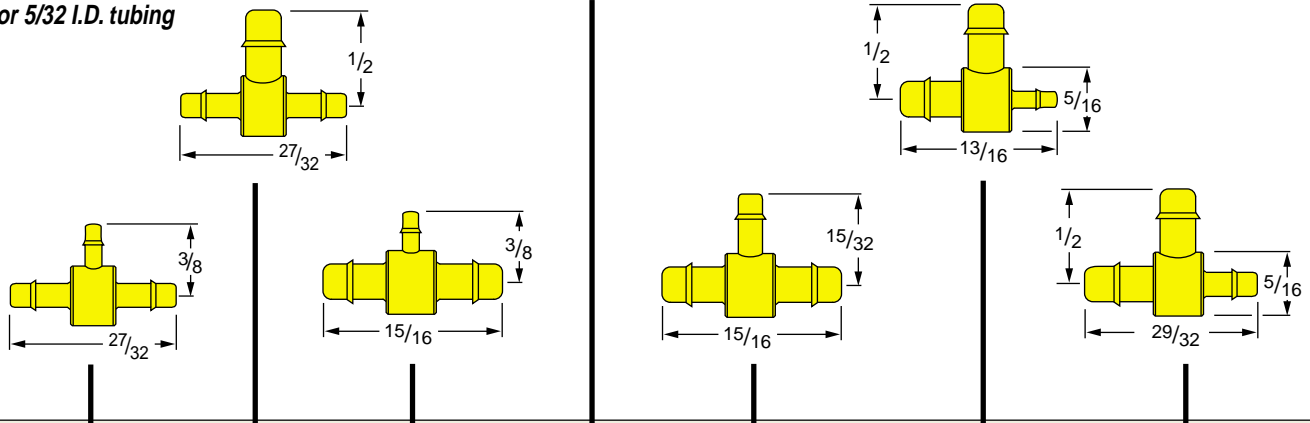
Part numbers: First number designates the branch at the 9:00 O'clock position in the drawing. The largest branch is called out first. Other branch numbers follow in a clockwise direction.

Note: # 3 1/2 bars (4mm) are available for 5/32 I.D. tubing

Reducing Tees are available in almost any combination of barb sizes!



not shown

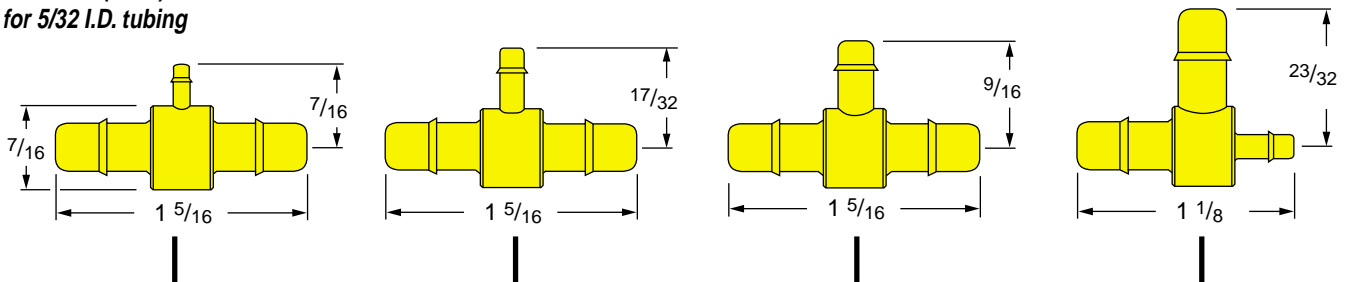


- RT1-3-1
 - RT2-1-2
 - RT3-2-2
 - RT3-1-3
 - RT3-2-3
 - RT3-2¹/₂-3
 - RT3-4-3
 - RT4-1-4
 - RT4-2-4
 - RT4-3-3
 - RT4-3-4
 - RT4-4-2
 - RT4-4-3
- Many Other Combinations Available - Ask Us!**

5

Note: # 3 1/2 bars (4mm) are available for 5/32 I.D. tubing

not shown

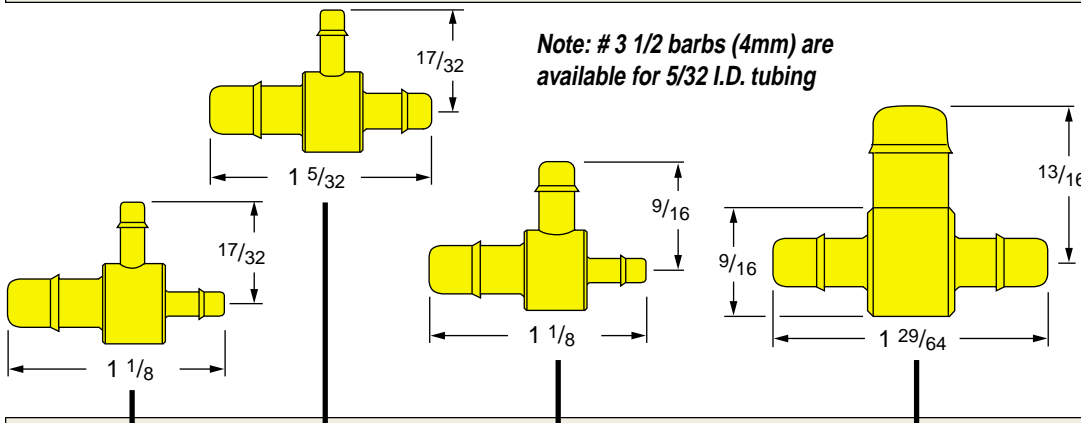


- RT5-2-5
 - RT5-3-5
 - RT6-2-6
 - RT6-3-6
 - RT6-4-6
 - RT6-6-3
- Other Combinations Available**

6

Note: # 3 1/2 bars (4mm) are available for 5/32 I.D. tubing

not shown



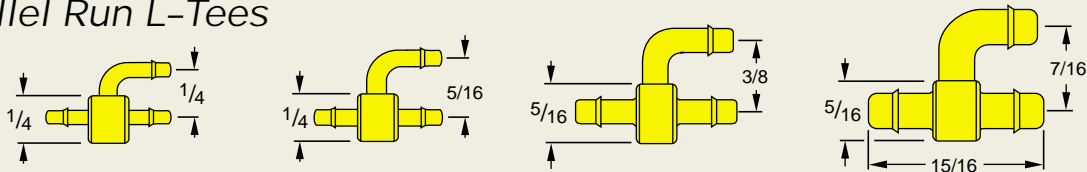
- RT6-3-3
 - RT6-3-2 not shown
 - RT6-2-3 not shown
 - RT6-3-4
 - RT6-4-3
 - RT6-8-6
 - RT8-2-8
 - RT8-3-8
 - RT8-6-8
- Other Combinations Available**

The NEW RT10 can have any size branches

- RT10-6-10
- RT10-7-10
- RT10-8-10
- not shown

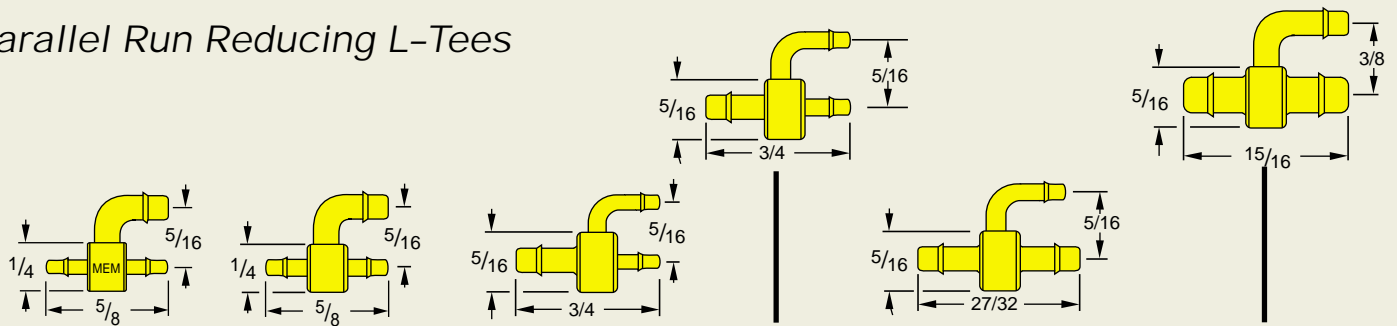
7

Parallel Run L-Tees



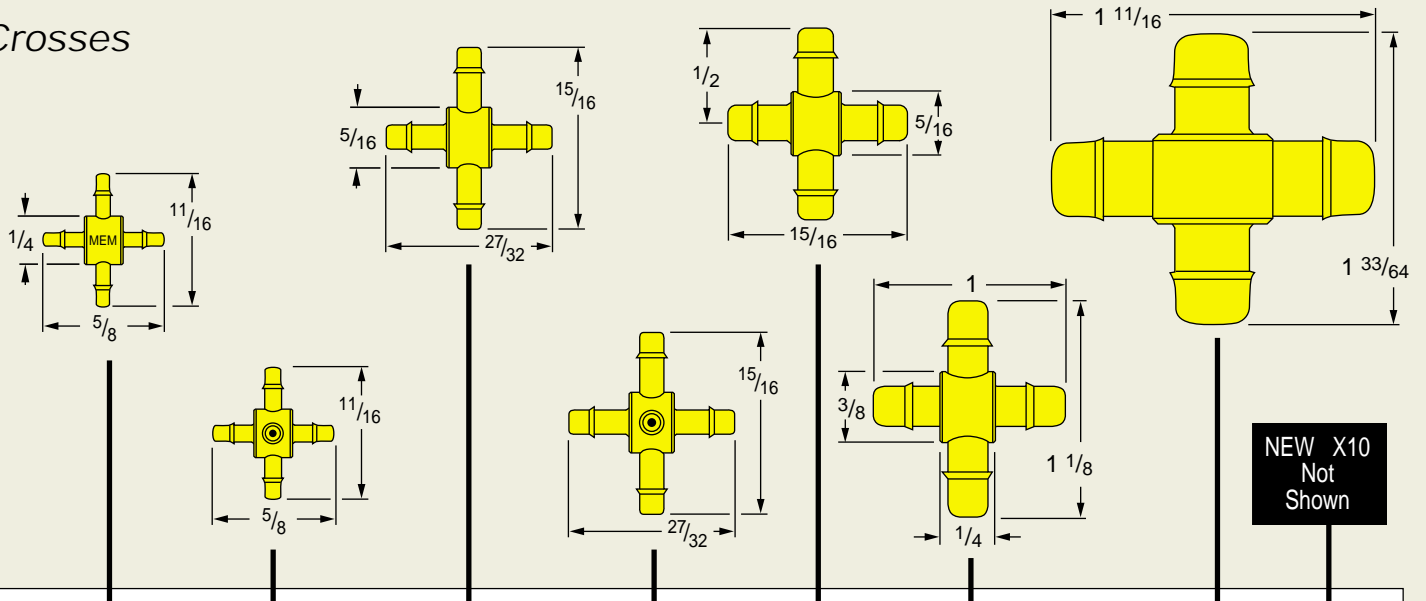
8 T1-L1-1 T2-L2-2 T3-L3-3 T4-L4-4 T5-L5-5

Parallel Run Reducing L-Tees



9 RT1-3L-1 RT2-3L-2 RT3-1L-1 RT3-2L-2 RT3-2L-3 RT4-3L-4

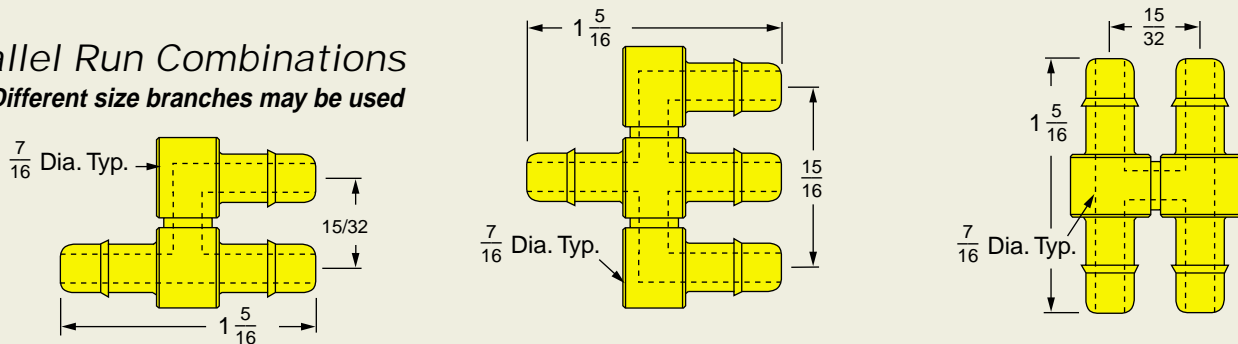
Crosses



10 X1 shown X2 not shown X2 1/2 not shown X2 x 5 Five Branches X3 NEW X3 1/2 (4mm) not shown X3 x 5 Five Branches X4 X5 X6 not shown X6 not shown X7 (8mm) not shown X8 X10

Parallel Run Combinations

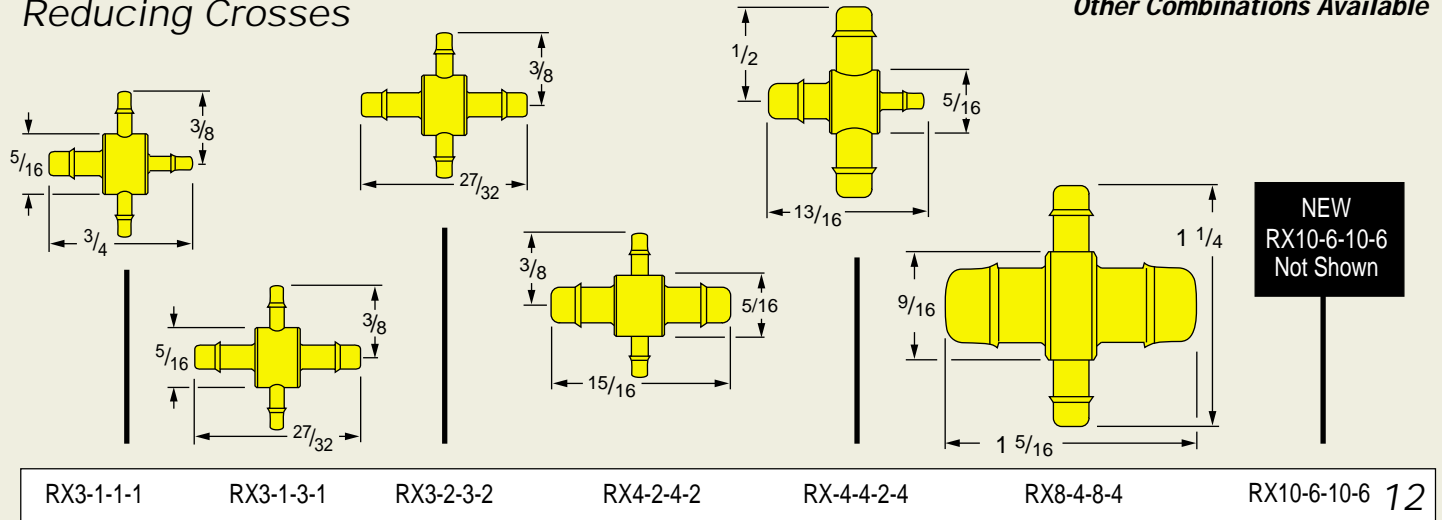
Note: Different size branches may be used



11 T-6-L6-6 IM6-L6-6-L6 H-6

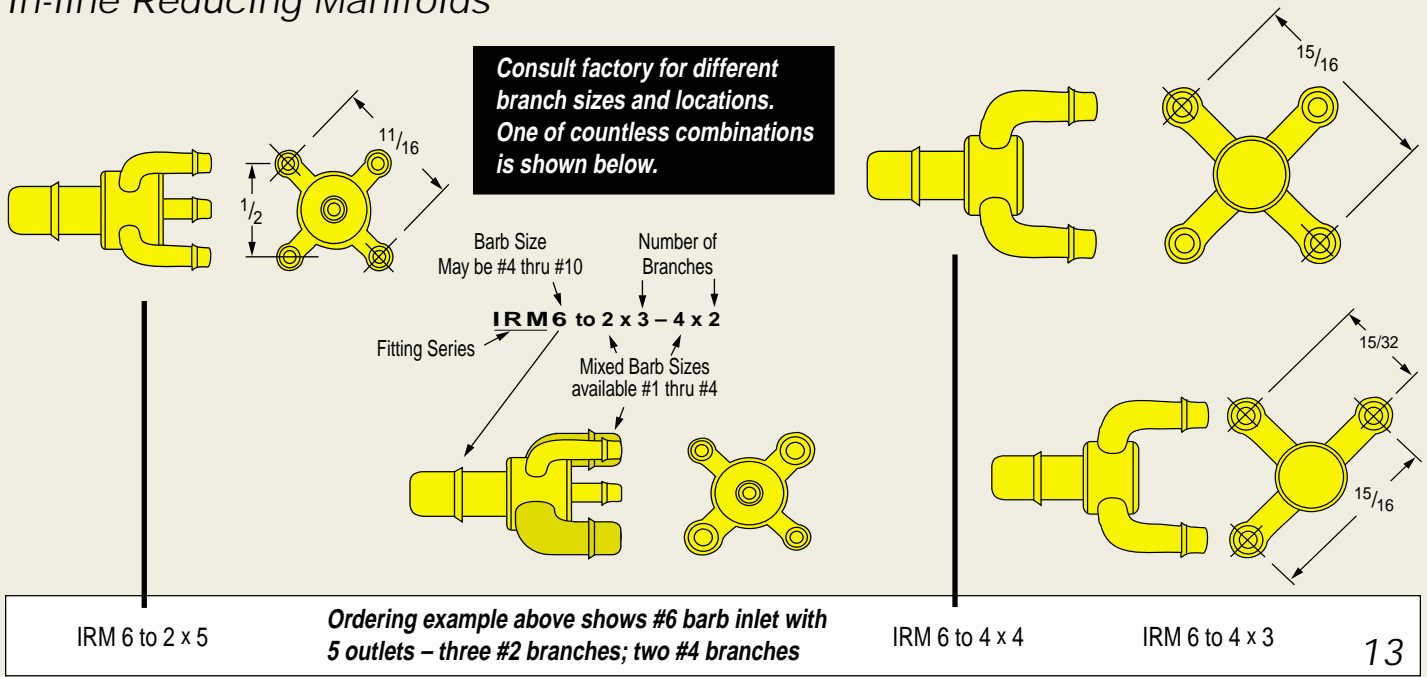
Reducing Crosses

Other Combinations Available



RX3-1-1-1 RX3-1-3-1 RX3-2-3-2 RX4-2-4-2 RX-4-4-2-4 RX8-4-8-4 RX10-6-10-6 **12**

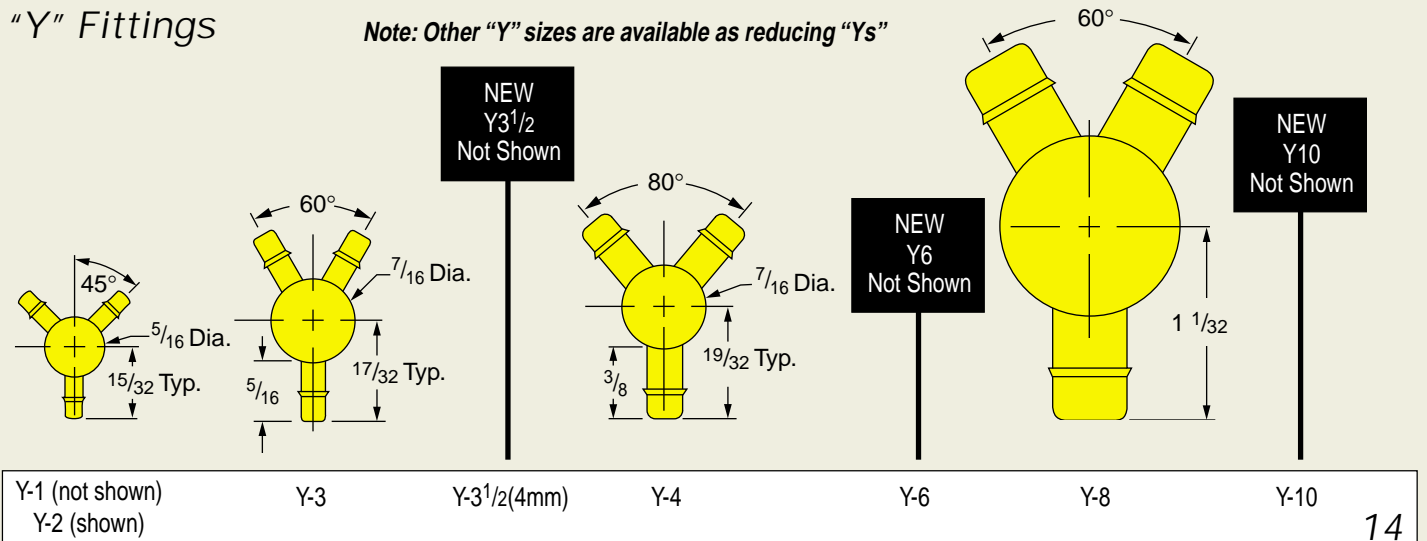
In-line Reducing Manifolds



IRM 6 to 2 x 5 **Ordering example above shows #6 barb inlet with 5 outlets - three #2 branches; two #4 branches** IRM 6 to 4 x 4 IRM 6 to 4 x 3 **13**

"Y" Fittings

Note: Other "Y" sizes are available as reducing "Ys"



Y-1 (not shown) Y-2 (shown) Y-3 Y-3 1/2(4mm) Y-4 Y-6 Y-8 Y-10 **14**