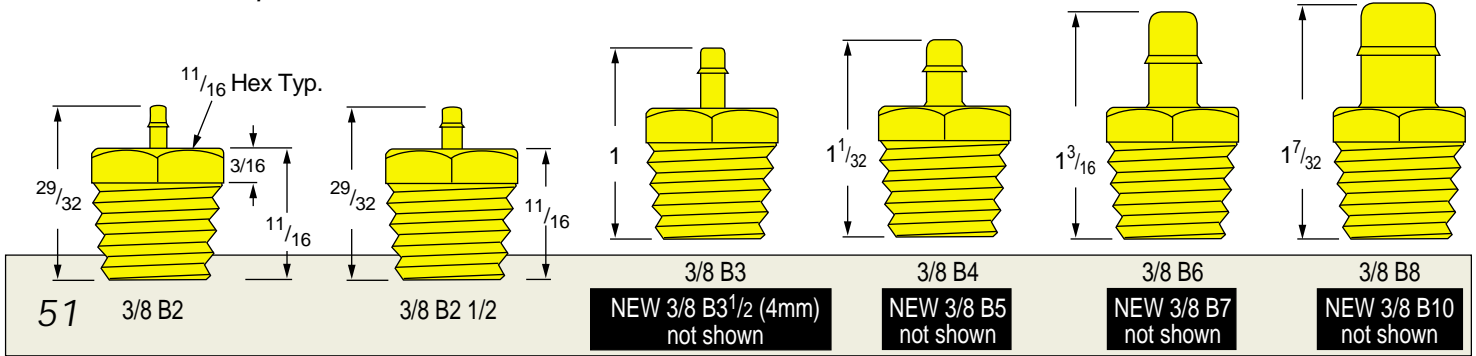


3/8 Male Pipe Thread to Tube

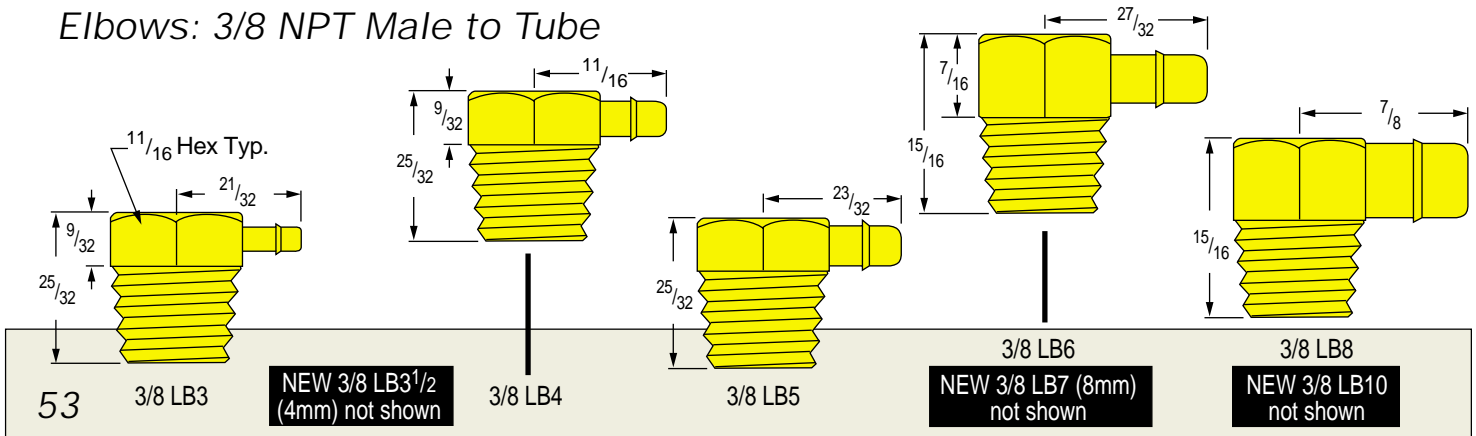


3/8 Male Pipe Straight Manifolds

<p>Thread Size 3/8 B3 x 2</p> <p>Barb # (Size) Quantity of Barbs</p> <p>Part Numbering Example</p>	<p>#1 Barb P/N</p> <ul style="list-style-type: none"> • 3/8B1 x 2 • 3/8B1 x 3 • 3/8B1 x 4 • 3/8B1 x 5 • 3/8B1 x 6 • 3/8B1 x 7 	<p>#2 Barb P/N</p> <ul style="list-style-type: none"> • 3/8 B2 x 2 • 3/8 B2 x 3 • 3/8 B2 x 4 • 3/8 B2 x 5 • 3/8 B2 x 6 • 3/8 B2 x 7 	<p>#2 1/2 Barb P/N</p> <ul style="list-style-type: none"> • 3/8 B2 1/2 x 2 • 3/8 B2 1/2 x 3 • 3/8 B2 1/2 x 4 • 3/8 B2 1/2 x 5 • 3/8 B2 1/2 x 6 • 3/8 B2 1/2 x 7 	<p>#3 Barb P/N</p> <ul style="list-style-type: none"> • 3/8 B3 x 2 • 3/8 B3 x 3 • 3/8 B3 x 4 • 3/8 B3 x 5 • 3/8 B3 x 6 	<p>#4 Barb P/N</p> <ul style="list-style-type: none"> • 3/8 B4 x 2 • 3/8 B4 x 3 • 3/8 B4 x 4 • 3/8 B4 x 5 	<p>#5 Barb P/N</p> <ul style="list-style-type: none"> • 3/8 B5 x 2 • 3/8 B5 x 3 • 3/8 B5 x 4
--	--	--	--	--	--	--

52 Available with #1, #2, #2 1/2, #3, #4, and #5 barbs as listed in the part numbers above

Elbows: 3/8 NPT Male to Tube



Tees: 3/8 NPT Male to Tube

