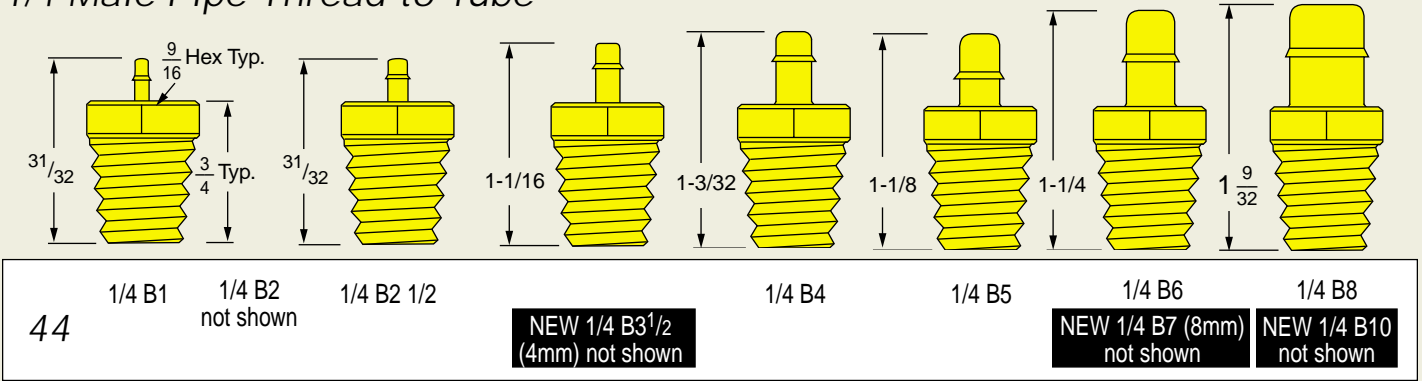
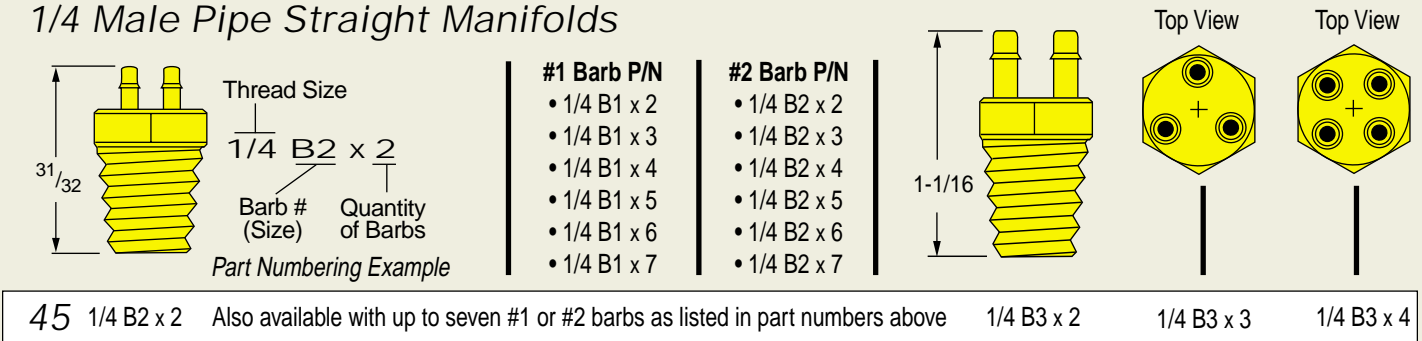


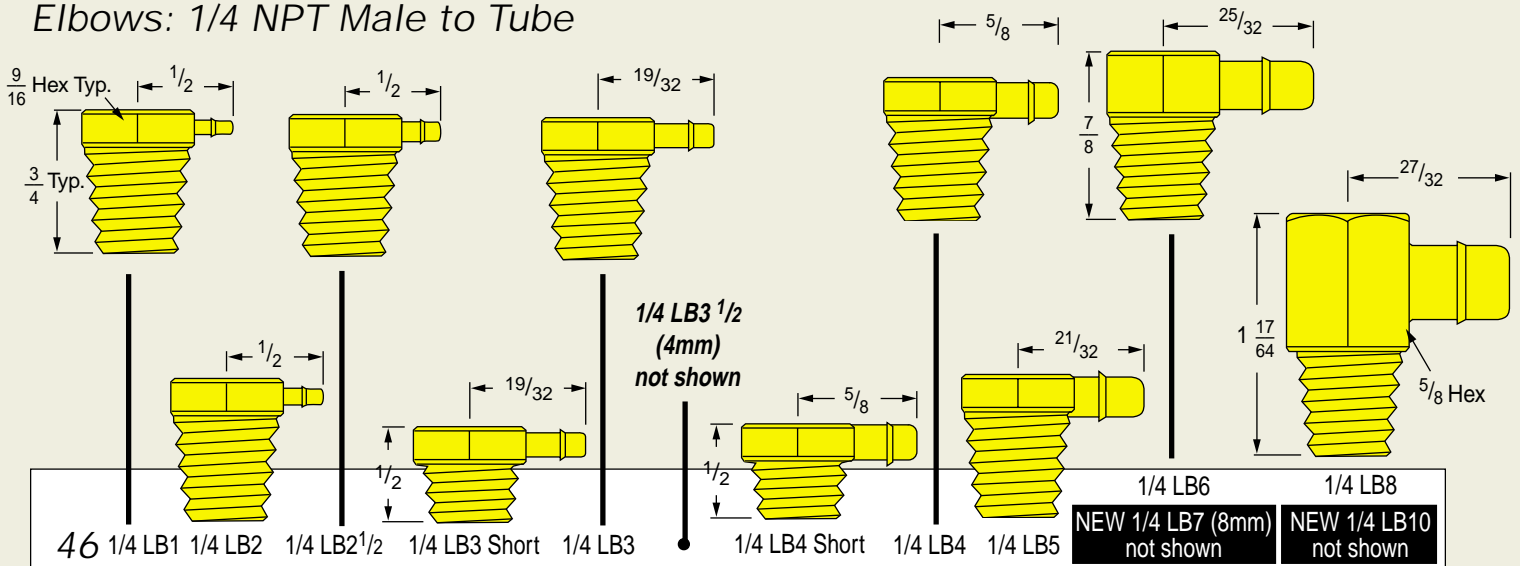
### 1/4 Male Pipe Thread to Tube



### 1/4 Male Pipe Straight Manifolds

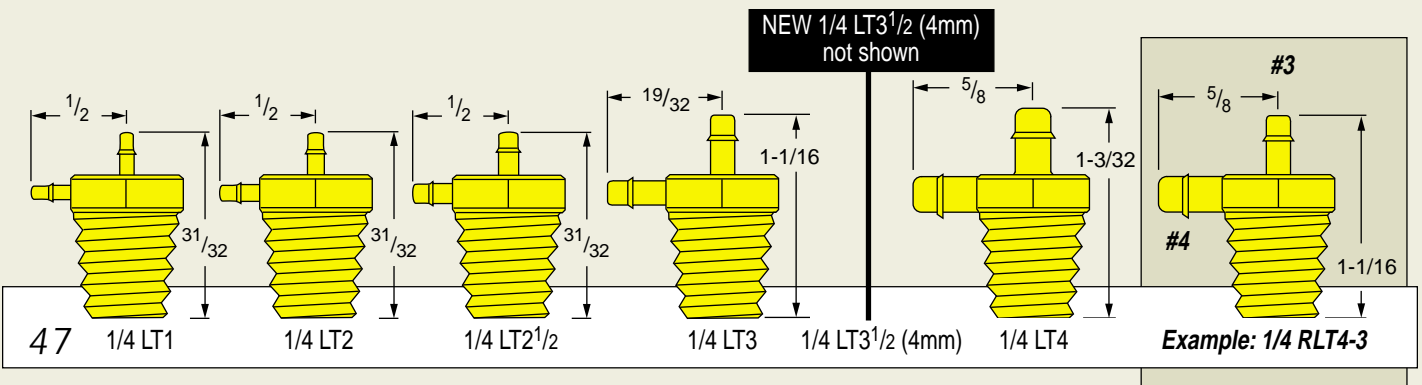


### Elbows: 1/4 NPT Male to Tube



### L-Tees: 1/4 NPT Male to Tube

Note: Available in Reducing L-Tee combinations similar to the example below



Tees: 1/4 NPT Male to Tube

**Note: Also available as Reducing Tee combinations similar to this example of part number 1/4 RT4-2**

