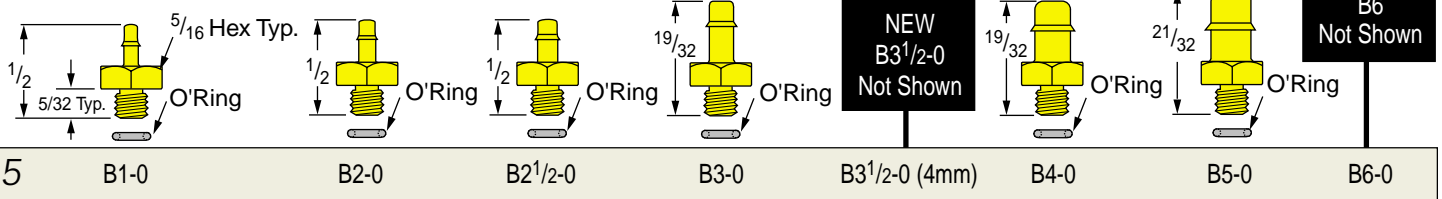
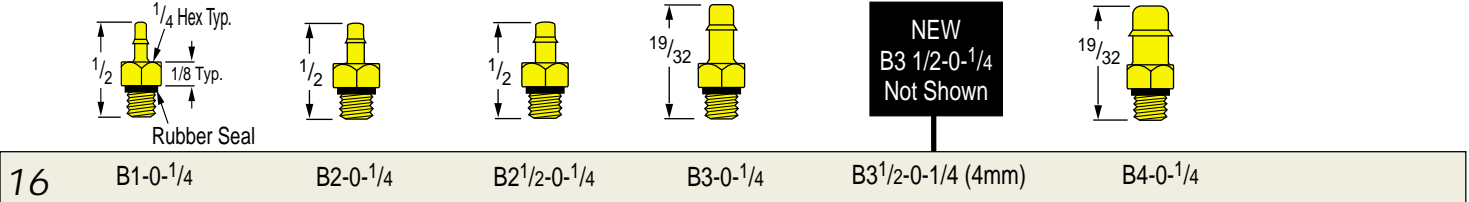


**10-32 Male Thread to Tube with O-Ring Seal Assembled (Also available as orifice fittings)**

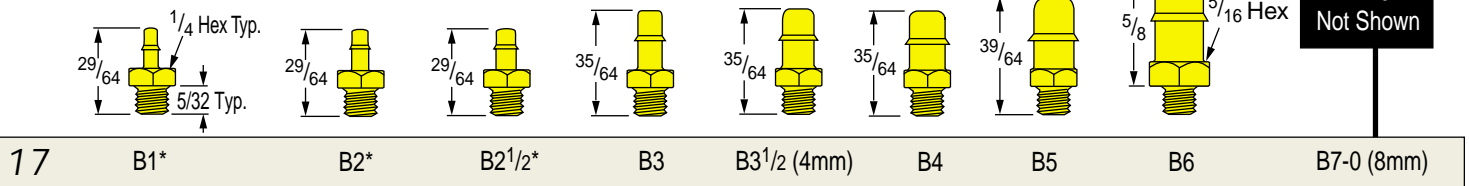


**10-32 Male Thread to Tube with Captive Rubber Gasket Assembled**



**10-32 Male Thread to Tube Fibre Gasket Supplied**

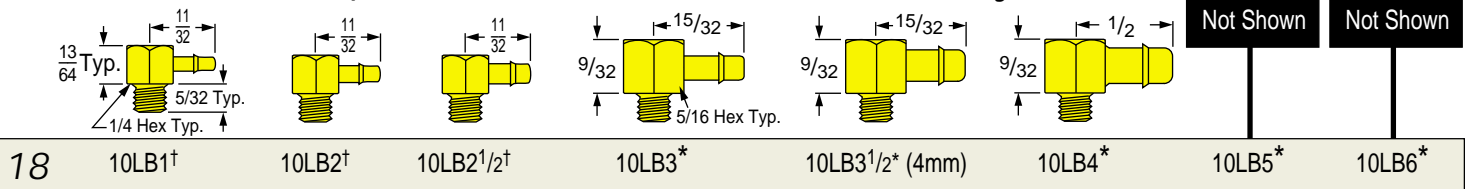
(\*Also available with 3-56, 6-32 and 8-32 Threads – see page 30)



**Elbows: 10-32 Male to Tube Fibre Gasket Supplied**

†Note: also available with captive rubber seal

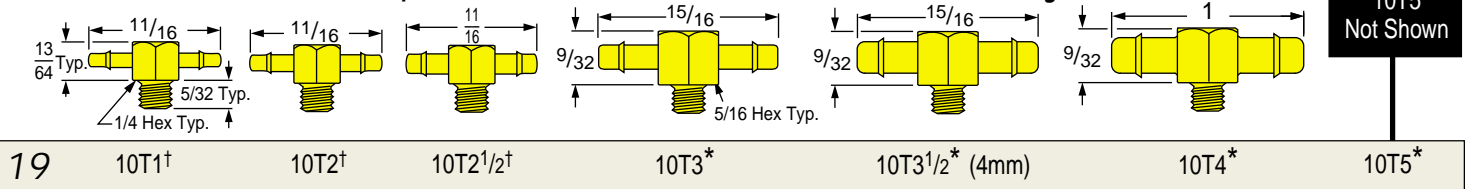
\*Note: also available with "O" Ring seal



**Tees: 10-32 Male to Tube Fibre Gasket Supplied**

†Note: also available with captive rubber seal

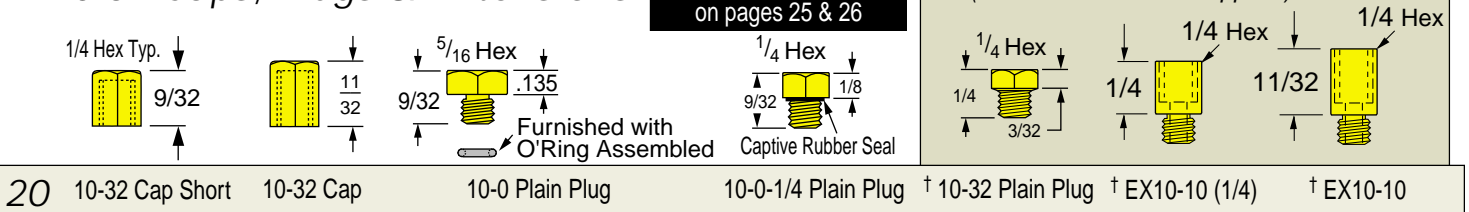
\*Note: also available with "O" Ring seal



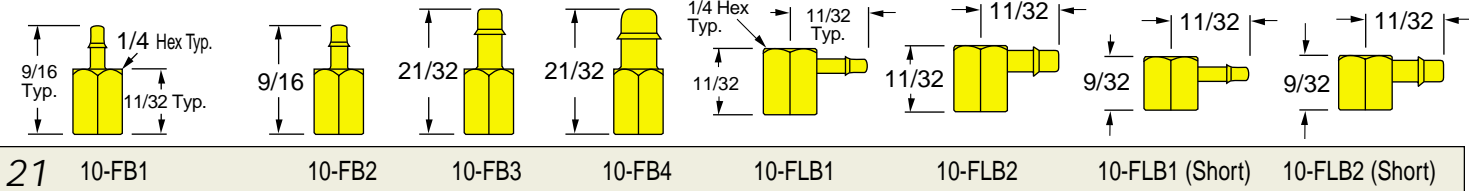
**10-32 Caps, Plugs & Extensions**

See more 10-32 fittings on pages 25 & 26

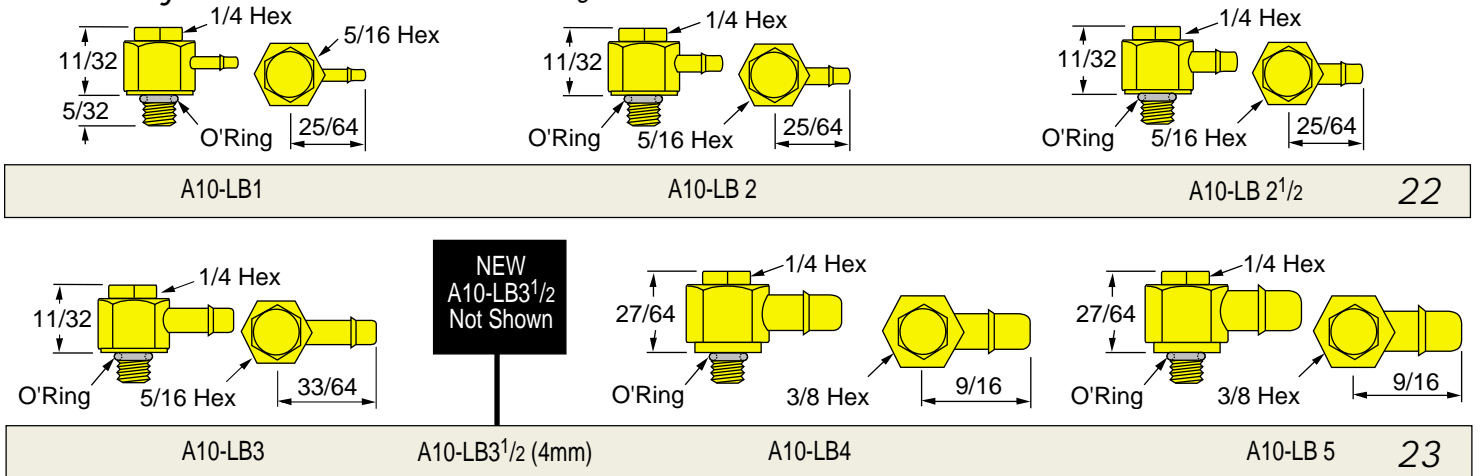
(†Note: Fibre Gasket Supplied)



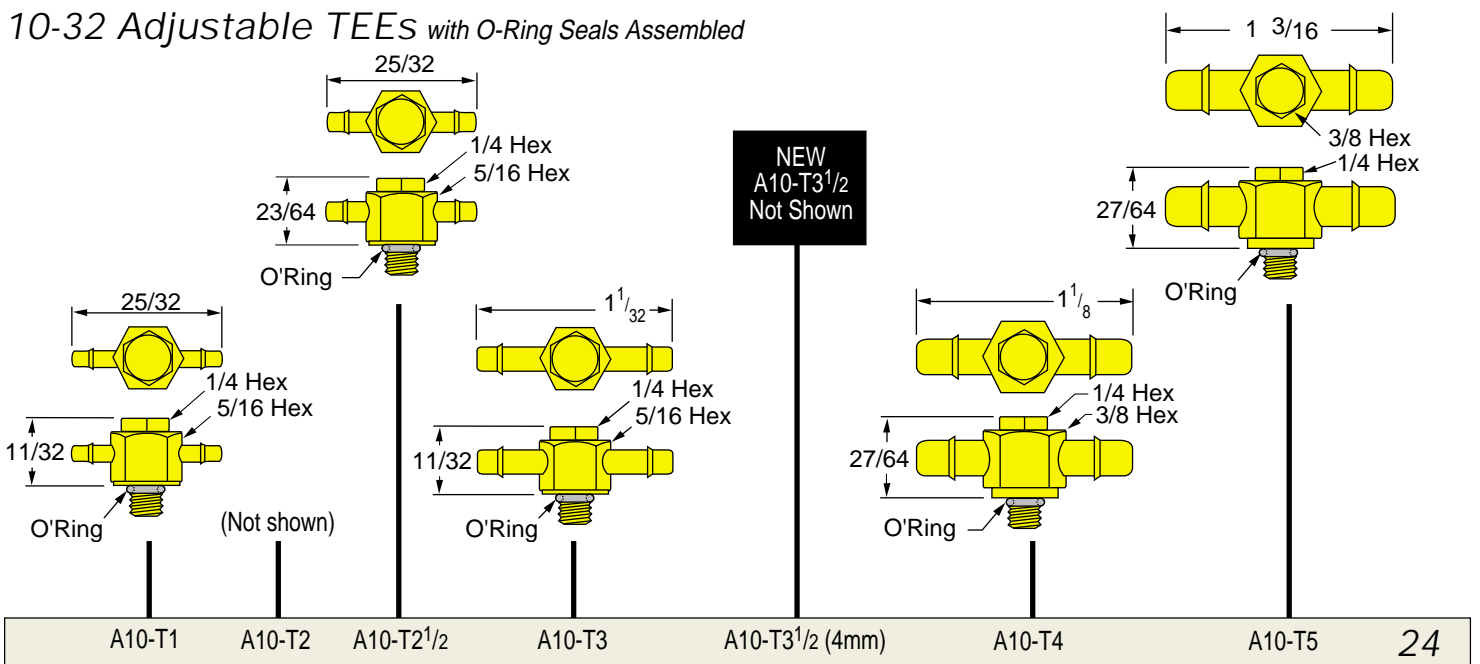
**10-32 Female Thread to Tube**



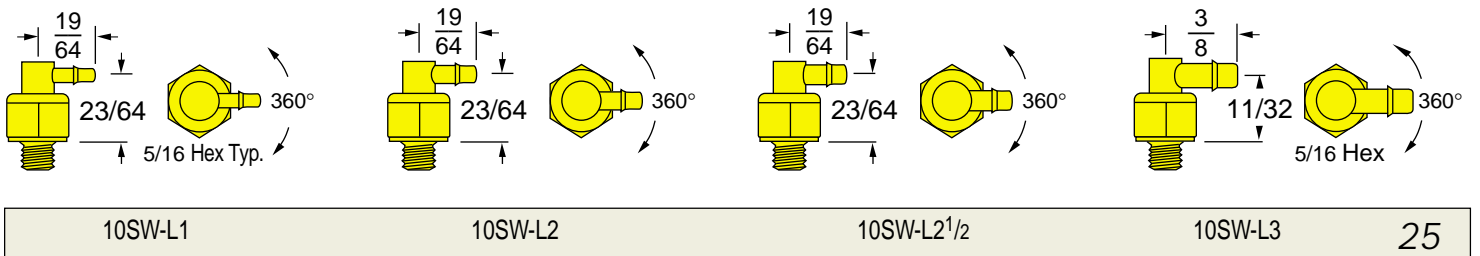
10-32 Adjustable Elbows with O-Ring Seals Assembled



10-32 Adjustable TEES with O-Ring Seals Assembled



10-32 Swivel Elbows Fibre Gasket Supplied



10-32 Swivel Tees Fibre Gasket Supplied

