

Lake Monitors R100 and R/T100 Flow Analyzers

Integrates with Lake's flow rate transmitters and FlowStat® to form a powerful flow control and measurement system.

SIMPLE TO USE

Every unit ships with easy-to-use, step by step instructions regarding programming and system setup.

EASY TO READ

Features 6 digits of bright red 7-segment LED displays that are .55 inches high.

TWO PROGRAMMABLE RELAYS

The standard 10 Amp form C relays allow precise flow rate and batch control.

DUAL POWER OPERATION

Units are designed to operate on 110 VAC or 12-24 VDC.

USER SELECTABLE ANALOG INPUT

The R100 and R/T100 permit standard analog inputs of 0-5V, 0-10V, 1-5V, 4-20mA and 0-20mA.

RATE FUNCTION: R100 AND R/T100

Displays 4.5 digits of user scalable flow rate information.

TOTALIZER FUNCTION: R/T100

Accumulates up to 6 digits of information. The totalizer divider allows total division by 1, 10, 100 or 1000.



ENGINEERING SPECIFICATION

THE DIGITAL TOTALIZER/RATE METER SHALL:

- Interface directly with Lake Monitors' flow rate transmitters.
- Provide 4.5 digits of rate information and 6 digits of totalized information.
- Have two programmable 10A relays.
- Have user scalable units of measure.
- Have a NEMA 4/IP 65 front panel.
- Have EEPROM memory backup.
- Have a 1/8 DIN panel cutout.
- Be Lake Monitors Number R100 for rate only measurements or R/T100 for rate and totalized measurements.

R100 and R/T100 Flow Analyzers

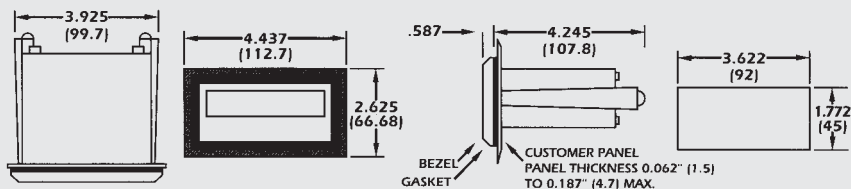
MECHANICAL PERFORMANCE

Enclosure size:	1/8 DIN, 3.63" x 1.78" cutout
Construction:	high impact ABS
Temperatures:	Operating: +41°F (5°C) to +130°F (54°C) Storage: -40°F (-40°C) to +200°F (93°C)
Humidity:	0-90% non-condensing
Weight:	2 lbs.
Connections:	via terminal blocks

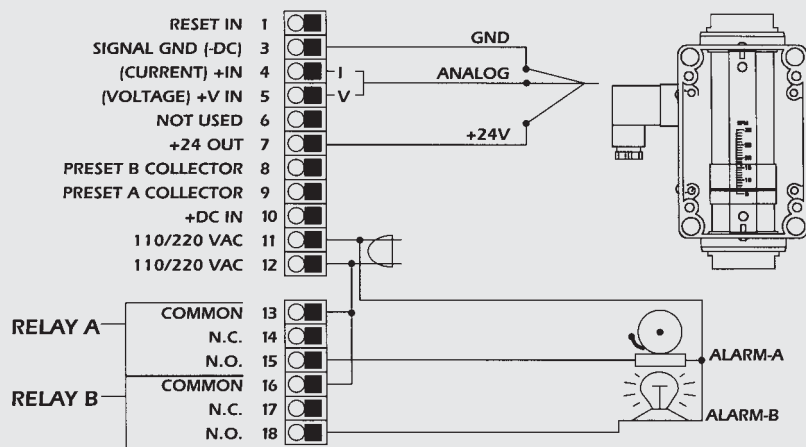
ELECTRONIC PERFORMANCE

Measuring accuracy:	±0.25% maximum measuring error.
Temperature stability:	<20 ppm over operating range
Input power:	110VAC ±15% (8VA) or 12-24VDC (300mA)
Display:	6 digit red LED, 0, .55" high digits
Analog inputs:	4-20mA, 0-20mA, 0-5VDC, 1-5VDC or 0-10VDC Selectable from the front panel
Input impedance:	current inputs: 100 Ohms voltage inputs: 115K Ohms
Resolution:	14.5 bits
Input protection:	over voltage: 50V over current: 50mA
Relays:	two SPDT, 10A @ 120//240VAC or 28VDC

DIMENSIONS



APPLICATION



www.lakemonitors.com

AW-LAKE COMPANY
A TASI Group Company
8809 Industrial Dr., Franksville, WI 53126
262.884.9800 / Fax: 262.884.9810
800.850.6110