

# Sheet steel

## Free-Standing cabinets H390, D-15.75"

### Features

- Free-standing
- User-friendly characteristics
- Customizable through a variety of options

### Product Description

Free-standing cabinets with single or double door design. Available with or without mounting plate. Mounting rails for utilization of hāwa accessories available as option.

- Grounding per DIN EN 60439-1, grounding studs M8x20 on all moving and removable parts, as well as top and bottom panels.
- Flanged edges form rain gutter and prevent dust and water from entering the cabinet
- Doors with foamed gaskets; can be mounted at right or left side – standard is right side
- 120° hidden hinges, which can be easily exchanged with 180° hinges
- Locking with 3 mm double mandrel bolt
- With bolted reinforcement and attachment frame of solid square tubes perforated with 4.5 mm holes every 25 mm
- Top plate can be removed; 4 transport lugs M12 per DIN 580:2003-08
- Bottom with three-part , adjustable base plate and mounting holes 10.6 mm

- Mounting plates adjustable to depth every 25 mm. Quick and easy mounting via hāwa locking brackets
- Excellent surface finish protection with improved pretreatment of the sheet metals by iron phosphatization and chrome-free repassivation as well as pollution free powder coating

### Technical Data

- Depth=15.75"
- Material: Sheet steel
- Surface finish: Powder coated RAL 7035
- Metal thickness door: 2 mm; 14 ga
- Metal thickness frame: 1.5 mm; 16 ga
- Metal thickness rear wall: 1.5 mm; 16 ga
- Approvals: UL
- Protection type: IP55

Further technical information → page 9

### Scope of Delivery

- Cabinet complete with lifting eyes, top and bottom cable entry plates and one key.

### Note

Hinged door on back and other modifications available. Please check with your hāwa representative for updated price and delivery time.

Attention: Center attachment 0391-0003-...-00 can not be combined with vertical mounting rails 0391-90...-00-03. Cabinet space is utilized by means of horizontal and vertical mounting rails. For width 1600/2000 two sets of horizontal mounting rails are required.

### Accessories

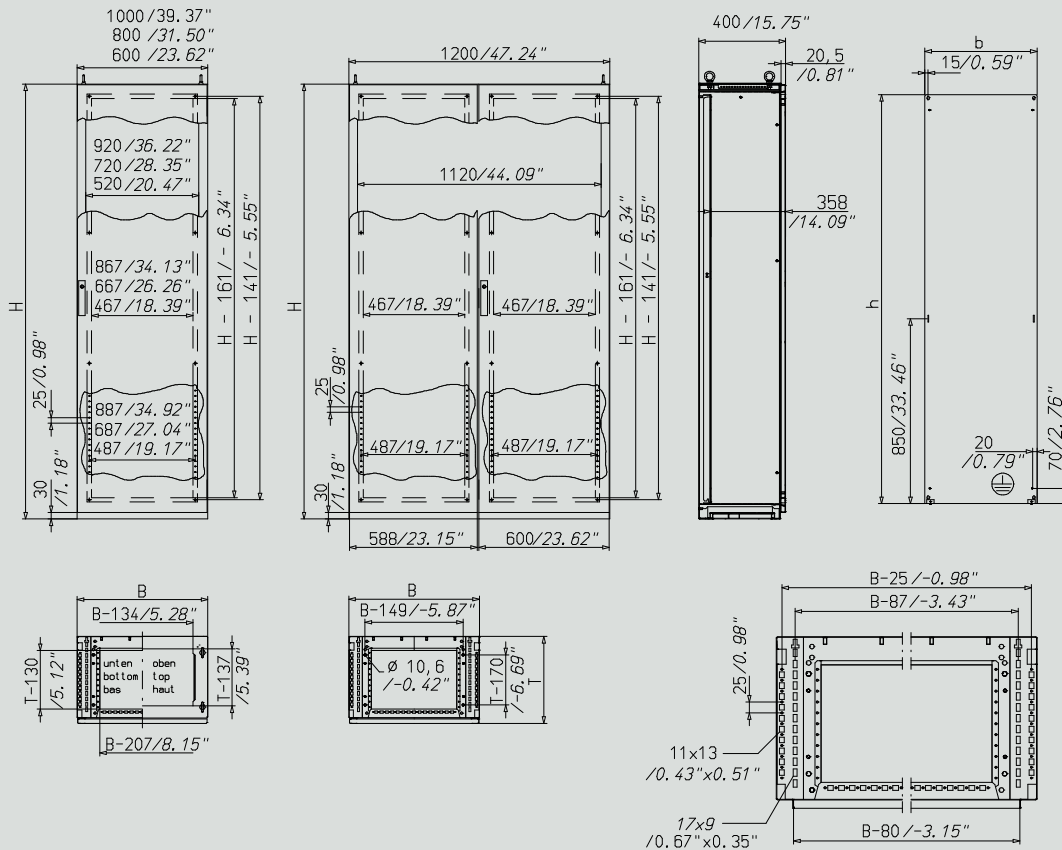
- Mounting kits for grounding straps → page 10
- Bases height 7.87" → page 10
- Base height 7.87" only for H390 Cabinets → page 10
- Bases height 3.94" for H390 and H395 → page 10
- Center attachment for H370/H390 → page 11
- Horizontal assembly rail → page 11
- Vertical mounting rail → page 11

Dimensions (WxHxD)		Metal thickness Mounting plate		Weight		Order No.	
mm	inch	mm	ga	kg	lbs	without mounting plate	with mounting plate
600 x 1.600 x 400	23,62 x 62,99 x 15,75	2,5	12	67,5	148,84	<b>0390-6016-40-07</b>	
600 x 1.600 x 400	23,62 x 62,99 x 15,75	2,5	12	84	185,22		<b>0390-6016-40-17</b>
600 x 1.800 x 400	23,62 x 70,87 x 15,75	2,5	12	73	160,96	<b>0390-6018-40-07</b>	
600 x 1.800 x 400	23,62 x 70,87 x 15,75	2,5	12	92	202,86		<b>0390-6018-40-17</b>
600 x 2.000 x 400	23,62 x 78,74 x 15,75	2,5	12	79,5	175,3	<b>0390-6020-40-07</b>	
600 x 2.000 x 400	23,62 x 78,74 x 15,75	2,5	12	101	222,7		<b>0390-6020-40-17</b>
800 x 1.600 x 400	31,5 x 62,99 x 15,75	2,5	12	80,5	177,5	<b>0390-8016-40-07</b>	
800 x 1.600 x 400	31,5 x 62,99 x 15,75	2,5	12	104	229,32		<b>0390-8016-40-17</b>
800 x 1.800 x 400	31,5 x 70,87 x 15,75	2,5	12	87,5	192,94	<b>0390-8018-40-07</b>	
800 x 1.800 x 400	31,5 x 70,87 x 15,75	2,5	12	114	251,37		<b>0390-8018-40-17</b>
800 x 2.000 x 400	31,5 x 78,74 x 15,75	2,5	12	94,5	208,37	<b>0390-8020-40-07</b>	
800 x 2.000 x 400	31,5 x 78,74 x 15,75	2,5	12	124	273,42		<b>0390-8020-40-17</b>
1.000 x 1.800 x 400	39,37 x 70,87 x 15,75	3	11	102	224,91	<b>0390-1018-40-07</b>	
1.000 x 1.800 x 400	39,37 x 70,87 x 15,75	3	11	142	313,11		<b>0390-1018-40-17</b>

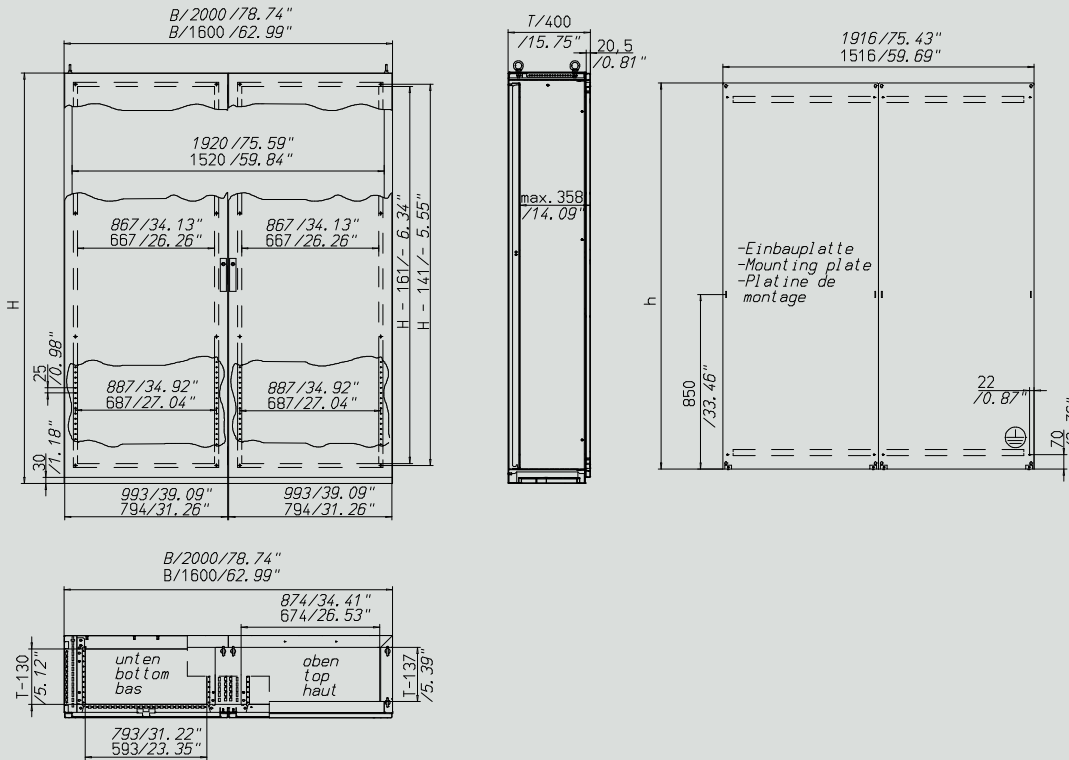
Dimensions (WxHxD)		Metal thickness Mounting plate		Weight		Order No.	
mm	inch	mm	ga	kg	lbs	without mounting plate	with mounting plate
1.000 x 2.000 x 400	39,37 x 78,74 x 15,75	3	11	110,5	243,65	<b>0390-1020-40-07</b>	
1.000 x 2.000 x 400	39,37 x 78,74 x 15,75	3	11	155	341,78		<b>0390-1020-40-17</b>
1.200 x 1.800 x 400	47,24 x 70,87 x 15,75	3	11	122	269,01	<b>0390-1218-40-07<sup>1)</sup></b>	
1.200 x 1.800 x 400	47,24 x 70,87 x 15,75	3	11	170	374,85		<b>0390-1218-40-17<sup>1)</sup></b>
1.200 x 2.000 x 400	47,24 x 78,74 x 15,75	3	11	134,5	296,57	<b>0390-1220-40-07<sup>1)</sup></b>	
1.200 x 2.000 x 400	47,24 x 78,74 x 15,75	3	11	188	414,54		<b>0390-1220-40-17<sup>1)</sup></b>
1.600 x 1.800 x 400	62,99 x 70,87 x 15,75	3	11	156,5	345,08	<b>0390-1618-40-07<sup>1)</sup></b>	
1.600 x 1.800 x 400	62,99 x 70,87 x 15,75	3	11	228	502,74		<b>0390-1618-40-17<sup>1)</sup></b>
1.600 x 2.000 x 400	62,99 x 78,74 x 15,75	3	11	170	374,85	<b>0390-1620-40-07<sup>1)</sup></b>	
1.600 x 2.000 x 400	62,99 x 78,74 x 15,75	3	11	248	546,84		<b>0390-1620-40-17<sup>1)</sup></b>
2.000 x 1.800 x 400	78,74 x 70,87 x 15,75	3	11	185,5	409,03	<b>0390-2018-40-07<sup>1)</sup></b>	
2.000 x 1.800 x 400	78,74 x 70,87 x 15,75	3	11	274	604,17		<b>0390-2018-40-17<sup>1)</sup></b>
2.000 x 2.000 x 400	78,74 x 78,74 x 15,75	3	11	200	441	<b>0390-2020-40-07<sup>1)</sup></b>	
2.000 x 2.000 x 400	78,74 x 78,74 x 15,75	3	11	299	659,3		<b>0390-2020-40-17<sup>1)</sup></b>

<sup>1)</sup> with two doors

## Technical Information



# Sheet steel



## Accessories

Mounting kits for grounding straps [Details → page 166](#)

	<b>Description</b>	<b>Order No.</b>
	<b>For H370/H390 cabinets</b> <b>Hardware for mounting groundings straps in häwa cabinets and modular cabinets</b>	<b>3080-9036-03-90</b>

Bases height 3.94" [Details → page 96](#)

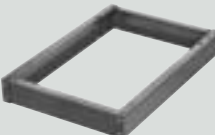
	<b>Description</b>	Dimension S		suitable for width		suitable for depth		Dimension T		<b>Order No.</b>
		mm	inch	mm	inch	mm	inch	mm	inch	
<b>For free-standing single and ganged-together modular cabinets</b> <b>Rugged U-profiles</b> <b>High lifting capacity</b>		330	12.99	600	23.62	400	15.75	375	14.76	<b>0396-6001-41-17</b>
		330	12.99	800	31.5	400	15.75	375	14.76	<b>0396-8001-41-17</b>
		330	12.99	1,000	39.37	400	15.75	375	14.76	<b>0396-1001-41-17</b>
		330	12.99	1,200	47.24	400	15.75	375	14.76	<b>0396-1201-41-17</b>
		330	12.99	1,600	62.99	400	15.75	375	14.76	<b>0396-1601-41-17</b>
		330	12.99	2,000	78.74	400	15.75	375	14.76	<b>0396-2001-41-17</b>

Base height 7.87" for H390 Cabinets [Details → page 100](#)


	<b>Description</b>	Dimensions		suitable for width		suitable for depth		<b>Order No.</b>
		mm	inch	mm	inch	mm	inch	
<b>For free-standing single and ganged-together modular cabinets</b> <b>Rugged U-profiles</b> <b>High lifting capacity</b>		375	14.76	600	23.62	400	15.75	<b>0396.6002.41.17</b>
		375	14.76	800	31.5	400	15.75	<b>0396.8002.41.17</b>
		375	14.76	1,000	39.37	400	15.75	<b>0396.1002.41.17</b>
		375	14.76	1,200	47.24	400	15.75	<b>0396.1202.41.17</b>
		375	14.76	1,600	62.99	400	15.75	<b>0396.1602.41.17</b>
		375	14.76	2,000	78.74	400	15.75	<b>0396.2002.41.17</b>

## Sheet steel

**Bases height 3.94"** Details → page 95

	Description	Dimension S		suitable for width		suitable for depth		Dimension T		Order No.
		mm	inch	mm	inch	mm	inch	mm	inch	
		<b>For free-standing single and ganged-together modular cabinets</b> <b>Rugged U-profiles</b> <b>High lifting capacity</b>		305	12.01	600	23.62	400	15.75	
305	12.01			800	31.5	400	15.75	350	13.78	<b>0396-8001-40-17</b>
305	12.01			1,000	39.37	400	15.75	350	13.78	<b>0396-1001-40-17</b>
305	12.01			1,200	47.24	400	15.75	350	13.78	<b>0396-1201-40-17</b>


**Bases height 7.87"** Details → page 98

	Description	suitable for width		suitable for depth		Dimension T		Order No.
		mm	inch	mm	inch	mm	inch	
		<b>For free-standing single and ganged-together modular cabinets</b> <b>High lifting capacity</b>		600	23.62	400	15.75	
800	31.5			400	15.75	350	13.78	<b>0396.8002.40.17</b>
1,000	39.37			400	15.75	350	13.78	<b>0396.1002.40.17</b>
1,200	47.24			400	15.75	350	13.78	<b>0396.1202.40.17</b>


**Center attachment for H370/H390** Details → page 141

	Description	length		Order No.
		mm	inch	
		<b>For direct mounting to the side panel (without rail)</b>		


**Hex-nut Verbus Tensilock** Details → page 183

	Description	Thread	Art. Nr.

**Vertical assembly rail** Details → page 132

	Description	suitable for height		Order No.			
		mm	inch				
		<b>Increases versatility of H370/H390 cabinets</b> <b>includes mounting hardware</b> <b>includes grounding bolt M8</b> <b>forms the vertical mounting platform for all accessories in the H370 and H390 cabinets</b>			1,600	62.99	<b>0391-9016-00-03</b>
					1,800	70.87	<b>0391-9018-00-03</b>
2,000	78.74			<b>0391-9020-00-03</b>			

**Horizontal assembly rail** Details → page 133

	Description	suitable for width		Order No.			
		mm	inch				
		<b>Increases versatility of H370/H390 cabinets</b> <b>includes mounting hardware</b> <b>includes grounding bolt M8</b> <b>forms the vertical mounting platform for all accessories in the H370 and H390 cabinets</b>			600	23.62	<b>0391-9000-06-03</b>
					800	31.5	<b>0391-9000-08-03</b>
					1,000	39.37	<b>0391-9000-10-03</b>
1,200	47.24			<b>0391-9000-12-03</b>			

# Sheet steel

## Free-Standing cabinets H390, D-19.69“

### Features

- Free-standing
- User-friendly characteristics
- Customizable through a variety of option

### Product Description

Free-standing cabinets with single or double door design. Available with or without mounting plate. Mounting rails for utilization of hāwa accessories available as option.

Grounding per DIN EN 60439-1, grounding studs M8x20 on all moving and removable parts, as well as top and bottom panels.

- Grounding per DIN EN 60439-1, grounding studs M8x20 on all moving and removable parts, as well as top and bottom panels.
- Flanged edges form rain gutter and prevent dust and water from entering the cabinet
- Doors with foamed gaskets; can be mounted at right or left side – standard is right side.
- 120° hidden hinges, which can be easily exchanged with 180° hinges
- Locking with 3 mm double mandrel bolt
- With bolted reinforcement and attachment frame of solid square tubes perforated with 4.5 mm holes every 25 mm

- Top plate can be removed; 4 transport lugs M12 per DIN 580:2003-08
- Bottom with three-part , adjustable base plate and mounting holes 10.6 mm
- Mounting plates adjustable to depth every 25 mm. Quick and easy mounting via hāwa locking brackets
- Excellent surface finish protection with improved pretreatment of the sheet metals by iron phosphatization and chrome-free repassivation as well as pollution free powder coating.

### Technical Data

- Material: Sheet steel
- Surface finish: Powder coated RAL 7035
- Metal thickness door: 2 mm; 14 ga
- Metal thickness frame: 1.5 mm; 16 ga
- Metal thickness rear wall: 1.5 mm; 16 ga
- Approvals: UL
- Protection type: IP55

Further technical information → page 16

### Scope of Delivery

- Cabinet complete with lifting eyes, top and bottom cable entry plates and one key.

### Note

Hinged door on back and other modifications available. Please check with your hāwa representative for updated price and delivery time.

Attention: Center attachment 0391-0003-...-00 can not be combined with vertical mounting rails 0391-90...-00-03. Cabinet space is utilized by means of horizontal and vertical mounting rails. For width 1600/2000 two sets of horizontal mounting rails are required.

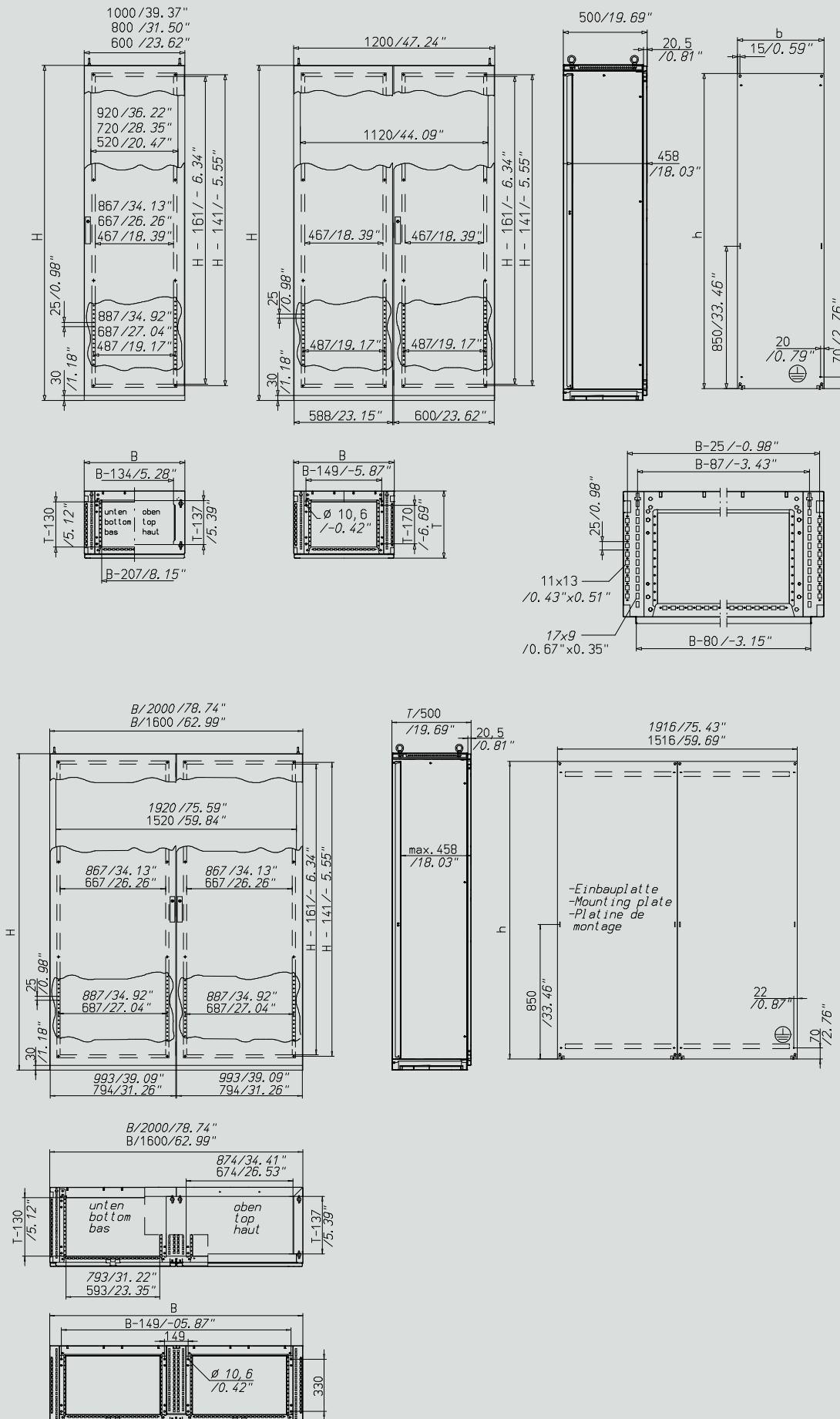
### Accessories

- Mounting kits for grounding straps → page 14
- Bases height 3.94“ for H390 and H395 → page 14
- Base height 7.87“ only for H390 Cabinets → page 14
- Bases height 7.87“ → page 14
- Horizontal assembly rail → page 15
- Center attachment for H370/H390 → page 15
- Vertical mounting rail → page 15

Dimensions (WxHxD)		Metal thickness Mounting plate		Weight		Order No.	
mm	inch	mm	ga	kg	lbs	without mounting plate	with mounting plate
600 x 1.800 x 500	23,62 x 70,87 x 19,69	2,5	12	80	176,4	<b>0390-6018-50-07</b>	
600 x 1.800 x 500	23,62 x 70,87 x 19,69	2,5	12	99	218,3		<b>0390-6018-50-17</b>
600 x 2.000 x 500	23,62 x 78,74 x 19,69	2,5	12	86,5	190,73	<b>0390-6020-50-07</b>	
600 x 2.000 x 500	23,62 x 78,74 x 19,69	2,5	12	108	238,14		<b>0390-6020-50-17</b>
800 x 1.800 x 500	31,5 x 70,87 x 19,69	2,5	12	94,5	208,37	<b>0390-8018-50-07</b>	
800 x 1.800 x 500	31,5 x 70,87 x 19,69	2,5	12	121	266,8		<b>0390-8018-50-17</b>
800 x 2.000 x 500	31,5 x 78,74 x 19,69	2,5	12	102,5	226,01	<b>0390-8020-50-07</b>	
800 x 2.000 x 500	31,5 x 78,74 x 19,69	2,5	12	132	291,06		<b>0390-8020-50-17</b>
1.000 x 1.800 x 500	39,37 x 70,87 x 19,69	3	11	103	227,12	<b>0390-1018-50-07</b>	
1.000 x 1.800 x 500	39,37 x 70,87 x 19,69	3	11	143	315,32		<b>0390-1018-50-17</b>
1.000 x 2.000 x 500	39,37 x 78,74 x 19,69	3	11	111,5	245,86	<b>0390-1020-50-07</b>	
1.000 x 2.000 x 500	39,37 x 78,74 x 19,69	3	11	156	343,98		<b>0390-1020-50-17</b>
1.200 x 1.800 x 500	47,24 x 70,87 x 19,69	3	11	116	255,78	<b>0390-1218-50-07<sup>2)</sup></b>	
1.200 x 1.800 x 500	47,24 x 70,87 x 19,69	3	11	164	361,62		<b>0390-1218-50-17<sup>2)</sup></b>
1.200 x 2.000 x 500	47,24 x 78,74 x 19,69	3	11	125,5	276,73	<b>0390-1220-50-07<sup>2)</sup></b>	
1.200 x 2.000 x 500	47,24 x 78,74 x 19,69	3	11	179	394,7		<b>0390-1220-50-17<sup>2)</sup></b>

<sup>2)</sup> with two doors

## Technical Information



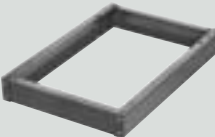
# Sheet steel

## Accessories


### Mounting kits for grounding straps [Details → page 166](#)

	Description	Order No.
	<b>For H370/H390 cabinets</b> <b>Hardware for mounting groundings straps in häwa cabinets and modular cabinets</b>	<b>3080-9036-03-90</b>

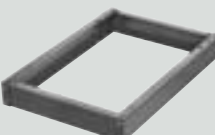
### Bases height 3.94" [Details → page 96](#)

	Description	Dimension S		suitable for width		suitable for depth		Dimension T		Order No.
		mm	inch	mm	inch	mm	inch	mm	inch	
	<b>For free-standing single and ganged-together modular cabinets</b> <b>Rugged U-profiles</b> <b>High lifting capacity</b>	430	16.93	600	23.62	500	19.69	475	18.7	<b>0396-6001-51-17</b>
		430	16.93	800	31.5	500	19.69	475	18.7	<b>0396-8001-51-17</b>
		430	16.93	1,000	39.37	500	19.69	475	18.7	<b>0396-1001-51-17</b>
430		16.93	1,200	47.24	500	19.69	475	18.7	<b>0396-1201-51-17</b>	


### Base height 7.87" for H390 Cabinets [Details → page 100](#)

	Description	Dimensions		suitable for width		suitable for depth		Order No.
		mm	inch	mm	inch	mm	inch	
	<b>For free-standing single and ganged-together modular cabinets</b> <b>Rugged U-profiles</b> <b>High lifting capacity</b>	475	18.7	600	23.62	500	19.69	<b>0396.6002.51.17</b>
		475	18.7	800	31.5	500	19.69	<b>0396.8002.51.17</b>
		475	18.7	1,000	39.37	500	19.69	<b>0396.1002.51.17</b>
475		18.7	1,200	47.24	500	19.69	<b>0396.1202.51.17</b>	

### Bases height 3.94" [Details → page 95](#)

	Description	Dimension S		suitable for width		suitable for depth		Dimension T		Order No.
		mm	inch	mm	inch	mm	inch	mm	inch	
	<b>For free-standing single and ganged-together modular cabinets</b> <b>Rugged U-profiles</b> <b>High lifting capacity</b>	405	15.94	600	23.62	500	19.69	450	17.72	<b>0396-6001-50-17</b>
		405	15.94	800	31.5	500	19.69	450	17.72	<b>0396-8001-50-17</b>
		405	15.94	1,000	39.37	500	19.69	450	17.72	<b>0396-1001-50-17</b>
405		15.94	1,200	47.24	500	19.69	450	17.72	<b>0396-1201-50-17</b>	

### Bases height 7.87" [Details → page 98](#)

	Description	suitable for width		suitable for depth		Dimension T		Order No.
		mm	inch	mm	inch	mm	inch	
	<b>Quick and easy installation</b> <b>For free-standing single and ganged-together modular cabinets</b> <b>High lifting capacity</b>	600	23.62	500	19.69	450	17.72	<b>0396.6002.50.17</b>
		800	31.5	500	19.69	450	17.72	<b>0396.8002.50.17</b>
		1,000	39.37	500	19.69	450	17.72	<b>0396.1002.50.17</b>
1,200		47.24	600	23.62	550	21.65	<b>0396.1202.60.17</b>	


**Center attachment for H370/H390** Details → page 141

	Description	length		Order No.
		mm	inch	
	<b>For direct mounting to the side panel (without rail)</b>	453	17.83	<b>0391-0003-50-00</b>


**Hex-nut Verbus Tensilock** Details → page 183

	Description	Thread	Art. Nr.

**Vertical assembly rail** Details → page 132

	Description	suitable for height		Order No.
		mm	inch	
	<b>Increases versatility of H370/H390 cabinets includes mounting hardware includes grounding bolt M8 forms the vertical mounting platform for all accessories in the H370 and H390 cabinets</b>	1,800	70.87	<b>0391-9018-00-03</b>
		2,000	78.74	<b>0391-9020-00-03</b>

**Horizontal assembly rail** Details → page 133

	Description	suitable for width		Order No.
		mm	inch	
	<b>Increases versatility of H370/H390 cabinets includes mounting hardware includes grounding bolt M8 forms the vertical mounting platform for all accessories in the H370 and H390 cabinets</b>	600	23.62	<b>0391-9000-06-03</b>
		800	31.5	<b>0391-9000-08-03</b>
		1,000	39.37	<b>0391-9000-10-03</b>
		1,200	47.24	<b>0391-9000-12-03</b>



# Sheet steel

## Free-Standing cabinets H390, D-23.62"

### Features

- Free-standing
- User-friendly characteristics
- Customizable through a variety of options

### Product Description

Free-standing cabinets with single or double door design. Available with or without mounting plate. Mounting rails for utilization of hāwa accessories available as option.

- Grounding per DIN EN 60439-1, grounding studs M8x20 on all moving and removable parts, as well as top and bottom panels.
- Flanged edges form rain gutter and prevent dust and water from entering the cabinet
- Doors with foamed gaskets; can be mounted at right or left side – standard is right side.
- 120° hidden hinges, which can be easily exchanged with 180° hinges
- Locking with 3 mm double mandrel bolt
- With bolted reinforcement and attachment frame of solid square tubes perforated with 4.5 mm holes every 25 mm
- Top plate can be removed; 4 transport lugs M12 per DIN 580:2003-08
- Bottom with three-part , adjustable base plate

and mounting holes 10.6 mm

- Mounting plates adjustable to depth every 25 mm. Quick and easy mounting via hāwa locking brackets
- Excellent surface finish protection with improved pretreatment of the sheet metals by iron phosphatization and chrome-free repassivation as well as pollution free powder coating

### Technical Data

- Depth=23.62"
- Material: Sheet steel
- Surface finish: Powder coated RAL 7035
- Metal thickness door: 2 mm; 14 ga
- Metal thickness frame: 1.5 mm; 16 ga
- Metal thickness rear wall: 1.5 mm; 16 ga
- Approvals: UL
- Protection type: IP55

Further technical information → page 17

### Scope of Delivery

- Cabinet complete with lifting eyes, top and bottom cable entry plates and one key.

### Note

Hinged door on back and other modifications available. Please check with your hāwa representative for updated price and delivery time.

Attention: Center attachment 0391-0003-...-00 can not be combined with vertical mounting rails 0391-90...-00-03. Cabinet space is utilized by means of horizontal and vertical mounting rails. For width 1600/2000 two sets of horizontal mounting rails are required.

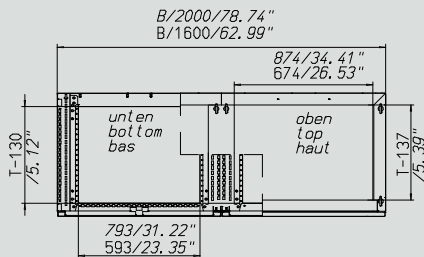
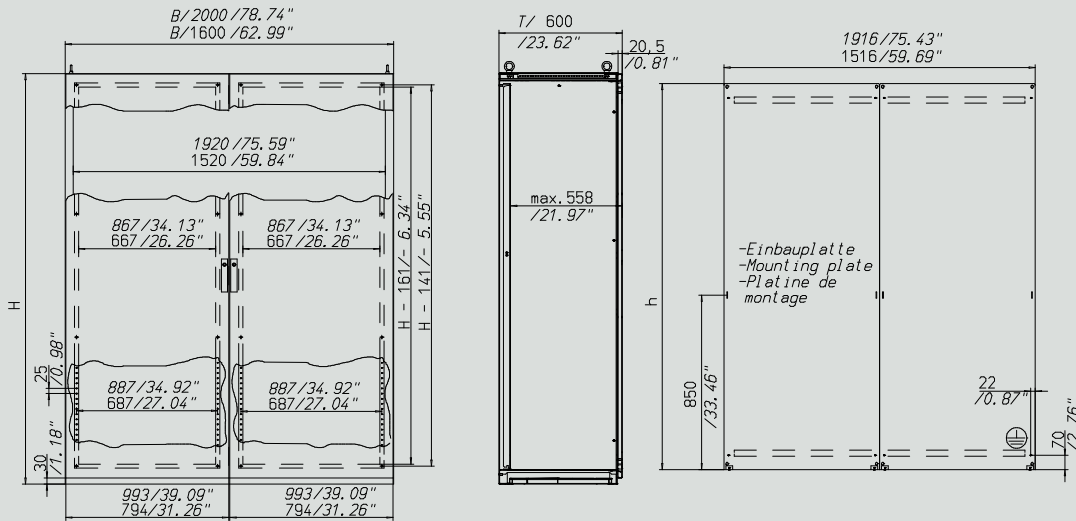
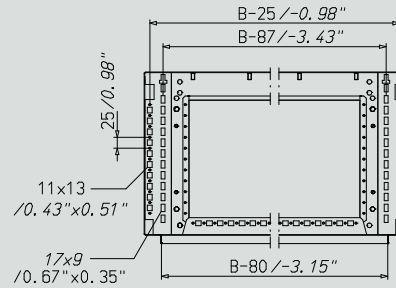
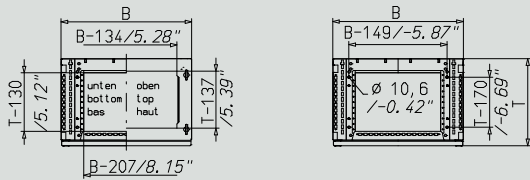
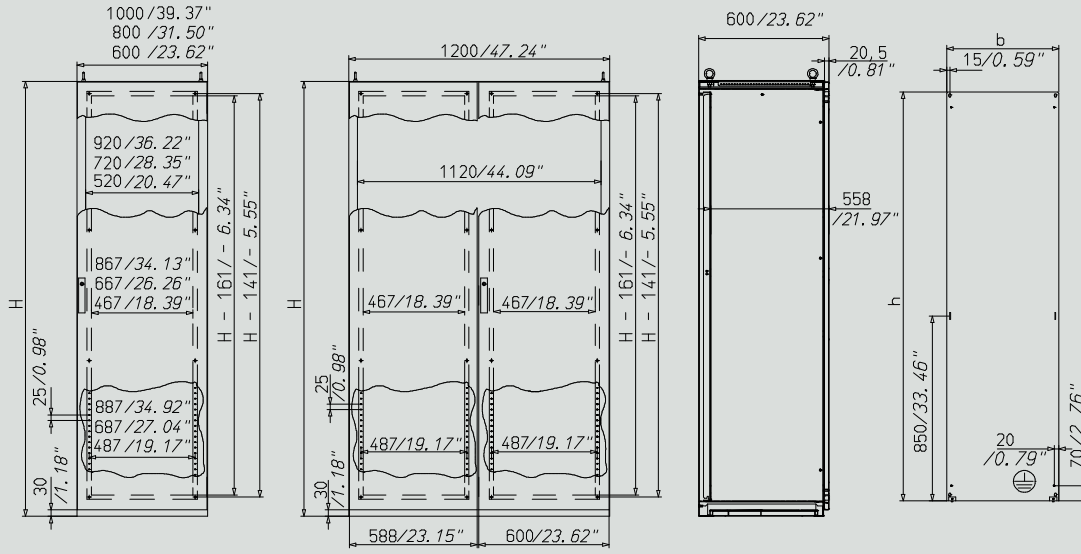
### Accessories

- Mounting kits for grounding straps → page 18
- Bases height 3.94" for H390 and H395 → page 18
- Bases height 7.87" → page 18
- Base height 7.87" only for H390 Cabinets → page 18
- Horizontal assembly rail → page 19
- Vertical mounting rail → page 19
- Center attachment for H370/H390 → page 19

Dimensions (WxHxD)		Metal thickness Mounting plate		Weight		Order No.	
mm	inch	mm	ga	kg	lbs	without mounting plate	with mounting plate
600 x 1.800 x 600	23,62 x 70,87 x 23,62	2,5	12	87	191,84	<b>0390-6018-60-07</b>	
600 x 1.800 x 600	23,62 x 70,87 x 23,62	2,5	12	106	233,73		<b>0390-6018-60-17</b>
600 x 2.000 x 600	23,62 x 78,74 x 23,62	2,5	12	93,5	206,17	<b>0390-6020-60-07</b>	
600 x 2.000 x 600	23,62 x 78,74 x 23,62	2,5	12	115	253,58		<b>0390-6020-60-17</b>
800 x 1.800 x 600	31,5 x 70,87 x 23,62	2,5	12	101,5	223,81	<b>0390-8018-60-07</b>	
800 x 1.800 x 600	31,5 x 70,87 x 23,62	2,5	12	128	282,24		<b>0390-8018-60-17</b>
800 x 2.000 x 600	31,5 x 78,74 x 23,62	2,5	12	110,5	243,65	<b>0390-8020-60-07</b>	
800 x 2.000 x 600	31,5 x 78,74 x 23,62	2,5	12	140	308,7		<b>0390-8020-60-17</b>
1.000 x 1.800 x 600	39,37 x 70,87 x 23,62	3	11	110	242,55	<b>0390-1018-60-07</b>	
1.000 x 1.800 x 600	39,37 x 70,87 x 23,62	3	11	150	330,75		<b>0390-1018-60-17</b>
1.000 x 2.000 x 600	39,37 x 78,74 x 23,62	3	11	119,5	263,5	<b>0390-1020-60-07</b>	
1.000 x 2.000 x 600	39,37 x 78,74 x 23,62	3	11	164	361,62		<b>0390-1020-60-17</b>
1.200 x 1.800 x 600	47,24 x 70,87 x 23,62	3	11	124	273,42	<b>0390-1218-60-07<sup>2)</sup></b>	
1.200 x 1.800 x 600	47,24 x 70,87 x 23,62	3	11	172	379,26		<b>0390-1218-60-17<sup>2)</sup></b>
1.200 x 2.000 x 600	47,24 x 78,74 x 23,62	3	11	134,5	296,57	<b>0390-1220-60-07<sup>2)</sup></b>	
1.200 x 2.000 x 600	47,24 x 78,74 x 23,62	3	11	188	414,54		<b>0390-1220-60-17<sup>2)</sup></b>

<sup>2)</sup> with two doors

## Technical Information



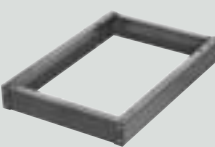
# Sheet steel

## Accessories


### Mounting kits for grounding straps Details → page 166

	Description	Order No.
	<b>For H370/H390 cabinets</b> <b>Hardware for mounting groundings straps in häwa cabinets and modular cabinets</b>	<b>3080-9036-03-90</b>

### Bases height 3.94" Details → page 96

	Description	Dimension S		suitable for width		suitable for depth		Dimension T		Order No.
		mm	inch	mm	inch	mm	inch	mm	inch	
	<b>For free-standing single and ganged-together modular cabinets</b> <b>Rugged U-profiles</b> <b>High lifting capacity</b>	530	20.87	600	23.62	600	23.62	575	22.64	<b>0396-6001-61-17</b>
		530	20.87	800	31.5	600	23.62	575	22.64	<b>0396-8001-61-17</b>
		530	20.87	1,000	39.37	600	23.62	575	22.64	<b>0396-1001-61-17</b>
530		20.87	1,200	47.24	600	23.62	575	22.64	<b>0396-1201-61-17</b>	

### Base height 7.87" for H390 Cabinets Details → page 100

	Description	Dimensions		suitable for width		suitable for depth		Order No.
		mm	inch	mm	inch	mm	inch	
	<b>For free-standing single and ganged-together modular cabinets</b> <b>Rugged U-profiles</b> <b>High lifting capacity</b>	575	22.64	600	23.62	600	23.62	<b>0396.6002.61.17</b>
		575	22.64	800	31.5	600	23.62	<b>0396.8002.61.17</b>
		575	22.64	1,000	39.37	600	23.62	<b>0396.1002.61.17</b>
575		22.64	1,200	47.24	600	23.62	<b>0396.1202.61.17</b>	

### Bases height 3.94" Details → page 95

Description	Dimension S		suitable for width		suitable for depth		Dimension T		Order No.	
	mm	inch	mm	inch	mm	inch	mm	inch		with ventilation slots
<b>For free-standing single and ganged-together modular cabinets</b> <b>Rugged U-profiles</b> <b>High lifting capacity</b>	505	19.88	600	23.62	600	23.62	550	21.65	<b>0396-6001-60-17</b>	<b>0396-6001-60-37</b>
	505	19.88	800	31.5	600	23.62	550	21.65	<b>0396-8001-60-17</b>	<b>0396-8001-60-37</b>
	505	19.88	1,000	39.37	600	23.62	550	21.65	<b>0396-1001-60-17</b>	
	505	19.88	1,200	47.24	600	23.62	550	21.65	<b>0396-1201-60-17</b>	

### Bases height 7.87" Details → page 98


Description	suitable for width		suitable for depth		Dimension T		Order No.	
	mm	inch	mm	inch	mm	inch		with ventilation slots
<b>Quick and easy installation</b> <b>For free-standing single and ganged-together modular cabinets</b> <b>High lifting capacity</b>	600	23.62	600	23.62	550	21.65	<b>0396.6002.60.17</b>	<b>0396.6002.60.37</b>
	800	31.5	600	23.62	550	21.65	<b>0396.8002.60.17</b>	<b>0396.8002.60.37</b>
	1,000	39.37	600	23.62	550	21.65	<b>0396.1002.60.17</b>	
	1,200	47.24	600	23.62	550	21.65	<b>0396.1202.60.17</b>	

## Sheet steel


**Center attachment for H370/H390** Details → page 141

	Description	length		Order No.
		mm	inch	
	<b>For direct mounting to the side panel (without rail)</b>	553	21.77	<b>0391-0003-60-00</b>


**Hex-nut Verbus Tensilock** Details → page 183

	Description	Thread	Order No.

**Vertical assembly rail** Details → page 132

	Description	suitable for height		Order No.
		mm	inch	
	<b>Increases versatility of H370/H390 cabinets</b> <b>includes mounting hardware</b> <b>includes grounding bolt M8</b> <b>forms the vertical mounting platform for all accessories in the H370 and H390 cabinets</b>	1,800	70.87	<b>0391-9018-00-03</b>
		2,000	78.74	<b>0391-9020-00-03</b>

**Horizontal assembly rail** Details → page 133

	Description	suitable for width		Order No.
		mm	inch	
	<b>Increases versatility of H370/H390 cabinets</b> <b>includes mounting hardware</b> <b>includes grounding bolt M8</b> <b>forms the vertical mounting platform for all accessories in the H370 and H390 cabinets</b>	600	23.62	<b>0391-9000-06-03</b>
		800	31.5	<b>0391-9000-08-03</b>
		1,000	39.37	<b>0391-9000-10-03</b>
		1,200	47.24	<b>0391-9000-12-03</b>