

## SMZ 1000



### About SMZ 1000 Current Probes:

The PR300/SP2 current probe is based on Hall Effect technology for non intrusive, true RMS measurement of DC, AC, & complex waveform current. This probe was designed to be used in conjunction with the HMG 2020 diagnostic unit.

### Technical Details:

General Characteristics	
Maximum Conductor Size - SMZ 1000-1 SMZ 1000-2	19 mm diameter 50 mm diameter
Output connection	2 m cable terminated with 9 pole sub-D plug
Operating temperature range	32° to 122°F (0° to 50°C)
Storage temperature range (with battery removed)	14° to 185°F (-10° to 85°C)
Operating humidity	15% to 85% (non condensing)
Weight - SMZ 1000-1 SMZ 1000-2	290 g 540 g
Electrical Characteristics	
Measuring range - SMZ 1000-1 SMZ 1000-2	2 A AC <sub>RMS</sub> or DC 300 A AC <sub>RMS</sub> or DC
Analog output - SMZ 1000-1 SMZ 1000-2	1 V per 1 A 0.5 to 9.5 V = 0 to 300 A
Accuracy - SMZ 1000-1 SMZ 1000-2	< 1% of reading ±5 mA ± 2% of reading ± 0.5 A
Load impedance	≥ 10kΩ
Frequency range <sup>3)</sup> (small signal)	DC and 15Hz - 20kHz (-3b)
Temperature coefficient	± 0.1% of reading / °C
Maximum offset drift (0° to 70°C)	± 200 mV
Power supply	± 12V ± 5%

**Model Code:**

SMZ 1000 - X - 000

Series \_\_\_\_\_  
 SMZ 1000 = SMZ 1000 current probe

Current Range \_\_\_\_\_  
 1 = 0 to 2 A  
 2 = 0 to 300 A

Modification Number \_\_\_\_\_  
 000 = standard

**Circuit Connection:**

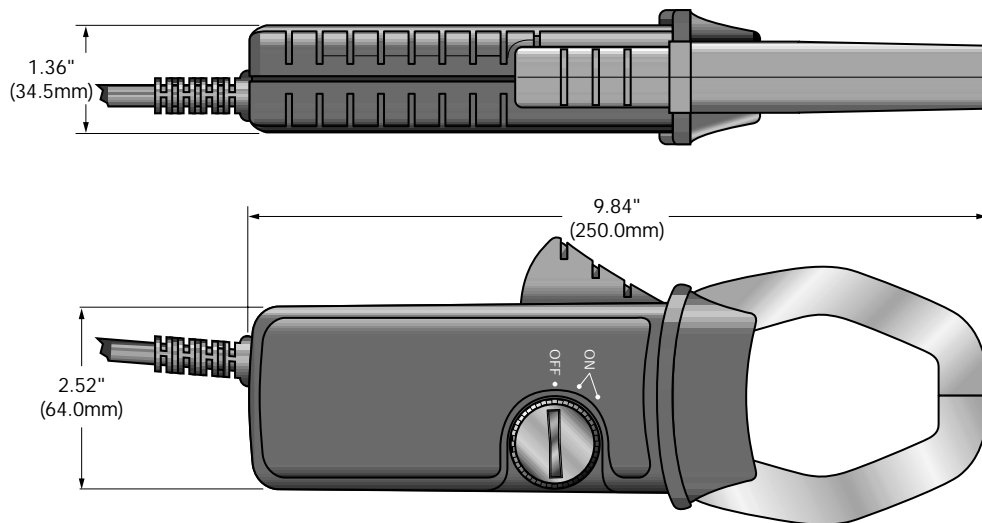
Pin Number	Function
9	+ 12 V
3	+ Output
7	0 V

**Safety Standards:**

BSEN61010-1: 1993 and Amendment A2: July 1995  
 BSEN61010-2-032: 1995  
 BSEN61010-2-031: 1995

**Dimensions:**

SMZ 1000-1



SMZ 1000-2

