

HYDAC High Pressure Ball Valves

KHF3/6 Series Direct Mount SAE Flange 1/2" to 2"



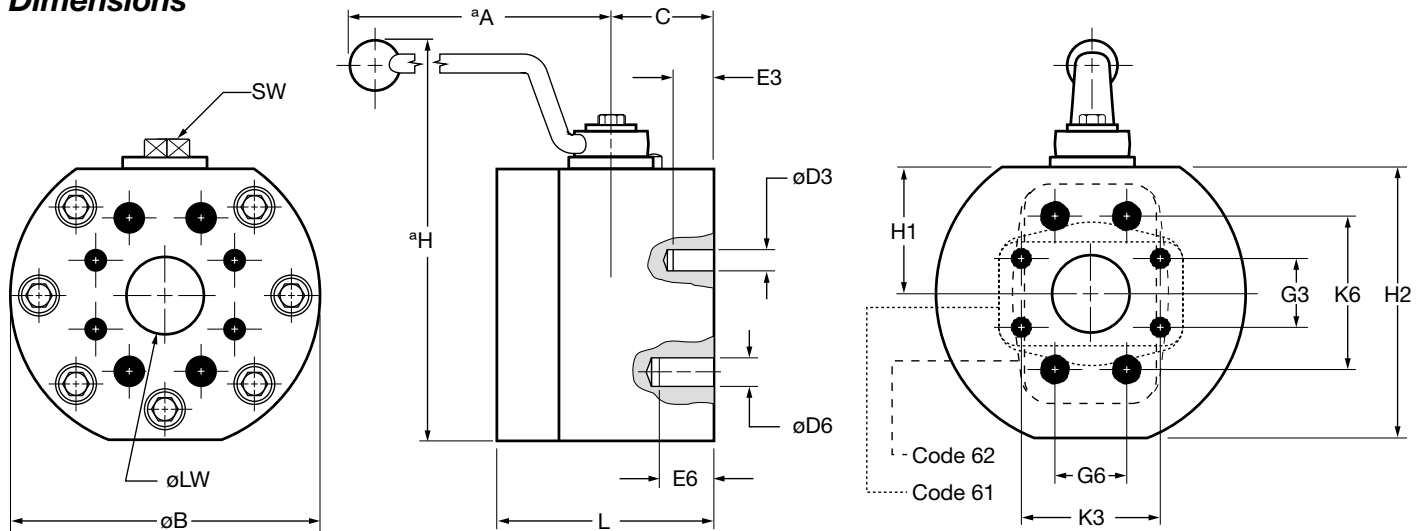
Features

- Compact, space saving design
- Full passage for unrestricted flow of medium
- Floating ball provides positive seal
- Valve positioning controlled by a stop pin and limit washer
- Phosphate coated valve body

Specifications

- Connection: Dual bolt pattern fits Code 61 and 62 SAE flanges
- Operating Pressure: to 6000 psi
- Ball Seal Material: Polyacetal
- O-ring Material: Fluoroelastomer (FPM)
- Housing Material: Carbon Steel
- Temperature Range: 14° to 176°F

Dimensions



Size	Model Code	Code 61					Code 62				
		K3	G3	øD3	E3	MAWP (psi)*	K6	G6	øD6	E6	MAWP (psi)*
1/2"	KHF3/6-16-1114-16X-UNC	1.50	0.69	5/16"-18UNC	0.63	5000	1.59	0.72	5/16"-18UNC	0.63	6000
3/4"	KHF3/6-20-1114-16X-UNC	1.87	0.88	3/8"-16UNC	0.71	5000	2.00	0.94	3/8"-16UNC	0.71	6000
1"	KHF3/6-25-1114-16X-UNC	2.06	1.03	3/8"-16UNC	0.71	5000	2.25	1.09	7/16"-14UNC	0.83	6000
1 1/4"	KHF3/6-32-1114-36X-UNC	2.31	1.19	7/16"-14UNC	0.71	4000	2.62	1.25	1/2"-13UNC	0.83	6000
1 1/2"	KHF3/6-40-1114-36X-UNC	2.75	1.41	1/2"-13UNC	1.02	3000	3.12	1.44	5/8"-11UNC	1.02	6000
2"	KHF3/6-50-1114-36X-UNC	3.06	1.69	1/2"-13UNC	1.02	3000	3.87	1.75	3/4"-10UNC	1.18	6000

Size	Model Code	øB	H1	H2	øLW	L	H	C	SW (mm)	A	Weight
1/2"	KHF3/6-16-1114-16X-UNC	3.11	1.34	2.81	0.51	2.95	5.08	1.28	12	7.00	5.5
3/4"	KHF3/6-20-1114-16X-UNC	3.90	1.73	3.54	0.75	3.15	5.79	1.35	14	7.00	8.6
1"	KHF3/6-25-1114-16X-UNC	4.69	1.85	4.02	0.98	3.46	6.30	1.50	14	7.00	13.2
1 1/4"	KHF3/6-32-1114-36X-UNC	5.47	2.32	4.88	1.18	3.94	8.31	1.73	17	12.0	25.6
1 1/2"	KHF3/6-40-1114-36X-UNC	6.30	2.56	5.51	1.50	4.33	8.94	2.01	17	12.0	36.2
2"	KHF3/6-50-1114-36X-UNC	7.05	2.86	6.17	1.89	4.57	9.61	2.13	17	12.0	54.9

* Pressure rating listed is valve pressure only. Pressure ratings for available flanges may be less.

Consult flange manufacturer and ISO 6162 for flange pressure rating.

Dimensions are for general information only, all critical dimensions should be verified by requesting a certified print.

Dimensions are in inches and lbs.

*Model Codes containing selections listed in RED are non-standard items – Minimum quantities will apply – Contact HYDAC for information and availability
Not all combinations are available*

KHF3 Series Direct Mount SAE Flange 2 1/2" to 4"



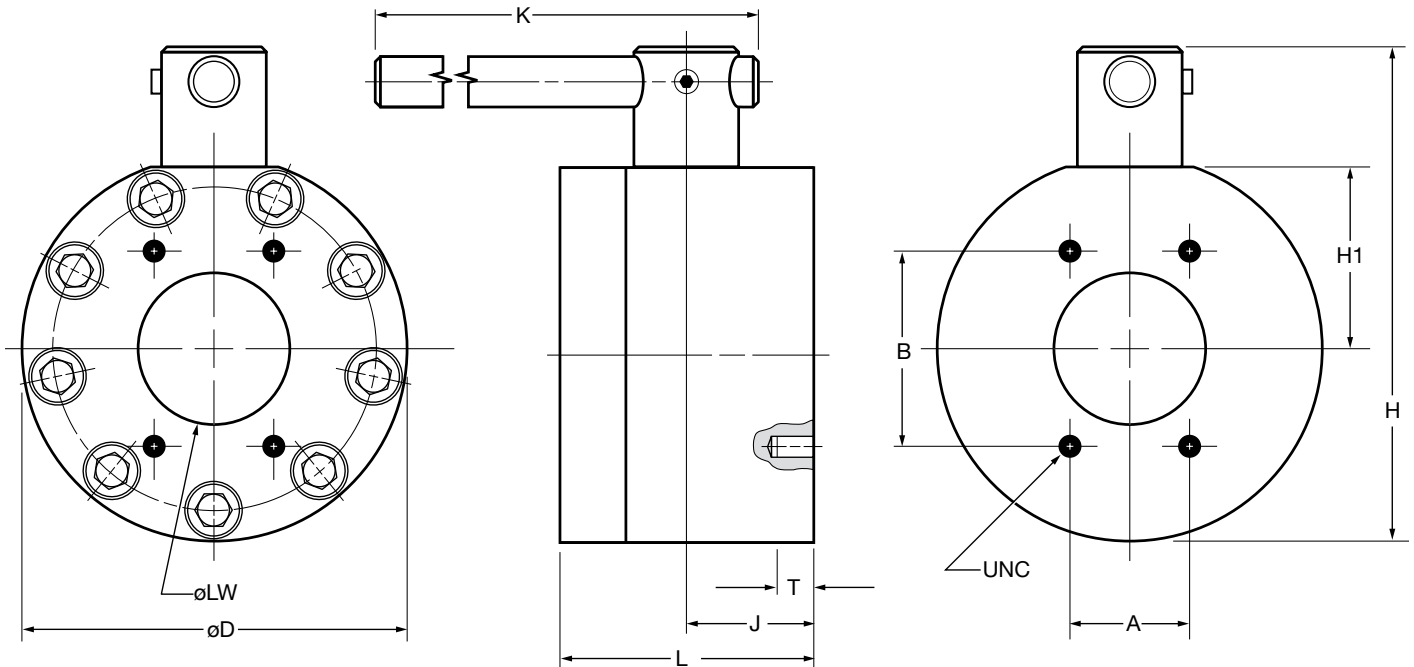
Features

- Compact, space saving design
- Full passage for unrestricted flow of medium
- Floating ball provides positive seal
- Phosphate coated valve body
- Individually tested for leakage free performance

Specifications

- Connection: Bolt pattern fits code 61 SAE flanges
- Operating Pressure: to 2500 psi
- Ball Seal Material: Polyacetal
- O-ring Material: Fluoroelastomer (FPM)
- Housing Material: Carbon Steel
- Temperature Range: 14° to 176°F

Dimensions



Size	Model Code	ϕLW	L	J	H1	H	ϕD	A	B	UNC	T	K	MAWP (psi)*	Weight
2 1/2"	KHF3-065-1114-05X-UNC	2.48	5.90	2.95	3.70	10.8	7.80	2.00	3.50	1/2"-13UNC	0.75	36	2500	73
3"	KHF3-080-1114-05X-UNC	2.99	5.51	2.76	4.09	11.4	8.27	2.44	4.19	5/8"-11UNC	0.95	36	2000	88
4"	KHF3-100-1114-05X-UNC	3.94	6.69	3.35	4.80	13.1	10.16	3.06	5.13	5/8"-11UNC	0.95	36	500	132

* Pressure rating listed is valve pressure only. Pressure ratings for available flanges may be less.

Consult flange manufacturer and ISO 6162 for flange pressure rating.

Dimensions are for general information only, all critical dimensions should be verified by requesting a certified print.

Dimensions are in inches and lbs.

*Model Codes containing selections listed in RED are non-standard items – Minimum quantities will apply – Contact HYDAC for information and availability
Not all combinations are available*