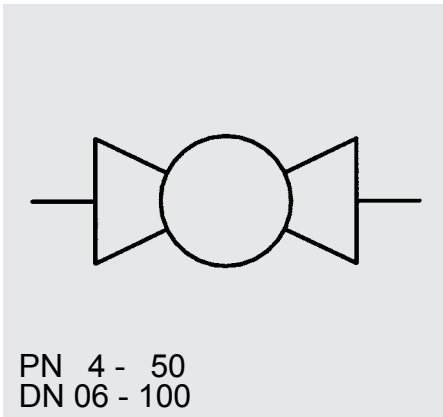


HYDAC**INTERNATIONAL**

PN 4 - 50
DN 06 - 100

Low Pressure Ball Valves

KHNVN / KHNVS / KHN

Model code

(also order example)

KHNVS Rp 1/2 2233 12 X ...

Designation

KHNVN – Low pressure ball valve – standard model
KHNVS – Low pressure ball valve – heavy-duty model
KHN – Low pressure ball valve – DIN-DVGW

Connection type

Thread size

Materials

Housing

2 = Nickel-plated brass

Ball, control spindle

2 = Chrome-plated brass

Ball seals

3 = PTFE

Soft seals

3 = PTFE

Handle

12 = Aluminium clamped handle, cranked, supplied fitted

Series

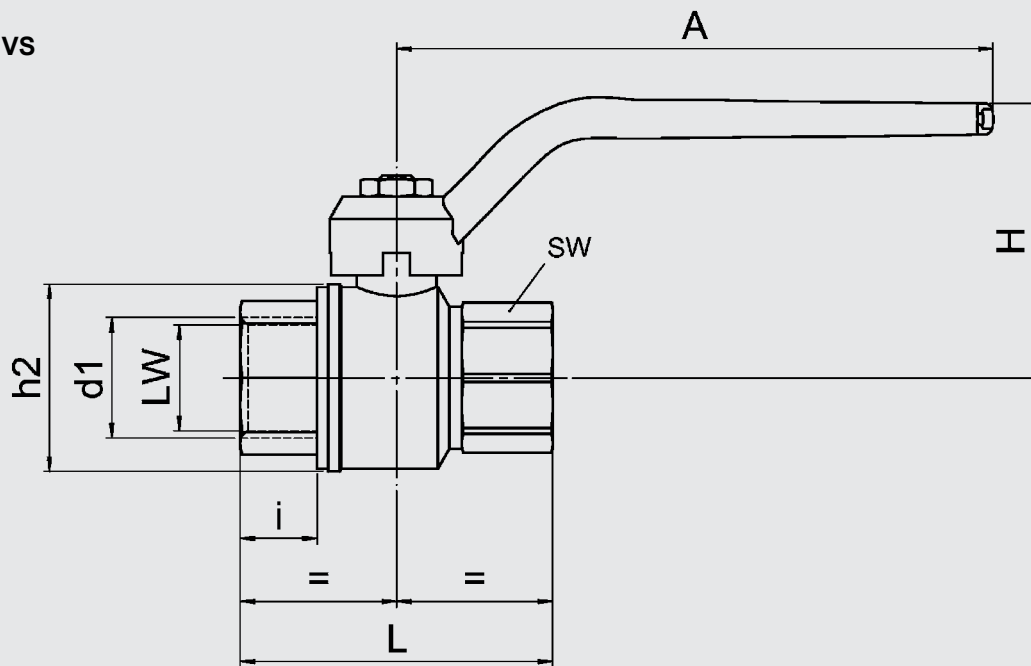
(determined by manufacturer)

Approval

DIN-DVGW (only KHN)

Dimensions

KHNVN / KHNVS



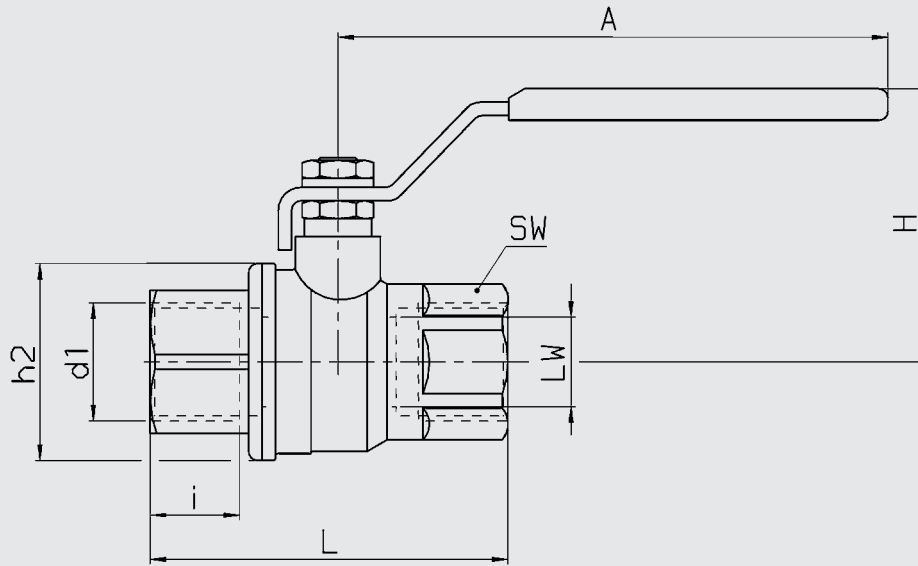
Type	d1	L [mm]	h2 [mm]	H [mm]	A [mm]	i [mm]	LW [mm]	SW [mm]	Nominal pressure PN [bar]
KHNVN	G 1/4	44.4	23.5	37	80	10	10	18	50
KHNVN	G 3/8	44.4	24	37	80	10	10	21	50
KHNVN	G 1/2	50.5	30.5	41	80	12	15	25	50
KHNVN	G 3/4	57.5	37.0	55	113	12.5	20	31	40
KHNVN	G 1	70	45.5	59	113	15	25	38	40
KHNVN	G 1 1/4	80.5	57	74.5	137.5	17	32	47	30
KHNVN	G 1 1/2	94	70	80.5	137.5	18.5	40	54	30
KHNVN	G 2	112.5	84	96.5	157	22	50	66	25
KHNVN	G 2 1/2	134.5	109	116	197	24	65	85	18
KHNVN	G 3	157	131	133	250	26	80	99	16
KHNVN	G 4	190	164	148	250	30	100	125	14

Type	d1	L [mm]	h2 [mm]	H [mm]	A [mm]	i [mm]	LW [mm]	SW [mm]	Nominal pressure PN [bar]
KHNVS	Rp 1/4	49.5	23.5	37	80	11	10	18	50
KHNVS	Rp 3/8	52.4	24	37	80	11.4	10	21	50
KHNVS	Rp 1/2	61	30.5	48.3	88.5	15	15	25	50
KHNVS	Rp 3/4	68	37	54.8	113	16.3	20	31	40
KHNVS	Rp 1	85	45.5	58.8	113	19.1	25	38	40
KHNVS	Rp 1 1/4	99.5	58	75	137.5	21.4	32	47	30
KHNVS	Rp 1 1/2	109	71	90	157.3	21.4	40	54	30
KHNVS	Rp 2	130	85	97	157.3	25.7	50	66	25

Technical specifications

Type of connection:	Whitworth female thread to ISO 228 (G) Whitworth female thread to DIN 2999 (Rp)	
Mounting position:	Optional	
Ambient temperature:	-20 °C to + 150 °C	
Nominal pressure:	up to PN 50	
Operating media:	Mineral oil to DIN 51524 part 1 + 2, gaseous media, compressed air, water other media on request	
Temperature of operating media:	-20 °C to + 150 °C	
Accessories:	All ball valves can be supplied with the following options:	Actuator Limit controls Lock

KHN - DVGW



Type DVGW	d1	Nominal bore DN	ØLW	Nominal pressure PN [bar]	i	L	Øh2	H	A	SW	Weight [kg]
KHN	Rp1/4	06	8	4	11.4	51.5	23	48	95	20	0.14
KHN	Rp3/8	10	10	4	11.4	51.5	23	48	95	20	0.13
KHN	Rp1/2	16	15	4	15.0	62	32	51	95	25	0.21
KHN	Rp3/4	20	20	4	16.3	69	39	60	110	31	0.33
KHN	Rp1	25	25	4	19.1	83	49	64	110	38	0.53
KHN	Rp11/4	32	32	4	21.4	96	59	78	160	48	0.97
KHN	Rp11/2	40	40	4	21.4	108	73	86	160	54	1.45
KHN	Rp2	50	50	4	25.7	126	86	104	170	67	1.98

Technical specifications

Type of connection:	Whitworth female thread to ISO 7/1 (Rp)
Mounting position:	Optional
Certification:	<u>DIN</u> -DVGW (EN 331)
Ambient temperature:	-10 °C to + 70 °C
Nominal pressure:	PN 4
Operating media:	all gases in accordance with DVGW – Worksheet G260/I
Temperature of operating media:	5 °C to + 50 °C

NOTE

The information in this brochure relates to the operating conditions and applications described.

For applications and operating conditions not described, please contact the relevant technical department.

Subject to technical modifications.

HYDAC Accessories GmbH
 Hirschbachstr. 2
66280 Sulzbach/Saar
 Tel.: +49 (0)6897 - 509-01
 Fax: +49 (0)6897 - 509-1009
 Internet: www.hydac.com
 E-Mail: info@hydac.com

