

Chelsea® 429 Series

Two Gear Mechanical P.T.O.



Overview:

The Chelsea 429 P.T.O. is another example of why Chelsea P.T.O. technology is the best in the business. This economical workhorse features a cast iron housing and tapered cone bearing on the output shaft, giving it a high torque rating and long service life. The deep reach gear design allows it to mount to Mitsubishi MO5, MO6 and MO7 family of transmissions without the need for special adapters. The space saving air shift cover provides maximum clearance under the truck. Eight output options including Chelsea's popular 360° rotatable flange and three shift options make this one versatile P.T.O. Take advantage of over 65 years of Chelsea P.T.O. technology to increase performance and lower costs.

- Aerial
- Snow & Ice Removal
- Fire and Rescue
- Dump Truck and Trailer
- Service Trucks



Product Features and Benefits:

- Deep reach housing design eliminates the need for special adapters
- Two Year warranty
- Torque ratings up to 175 Lbs. ft.
- 8 Output options
- Rotatable pump flanges for maximum clearance
- 3 Shift options

Contact Information:

Parker Hannifin Corporation
Chelsea Products Division
8225 Hacks Cross Road
Olive Branch, MS 38654 USA

Phone: 1-888-PH4-TRUK
(1-888-744-8785)

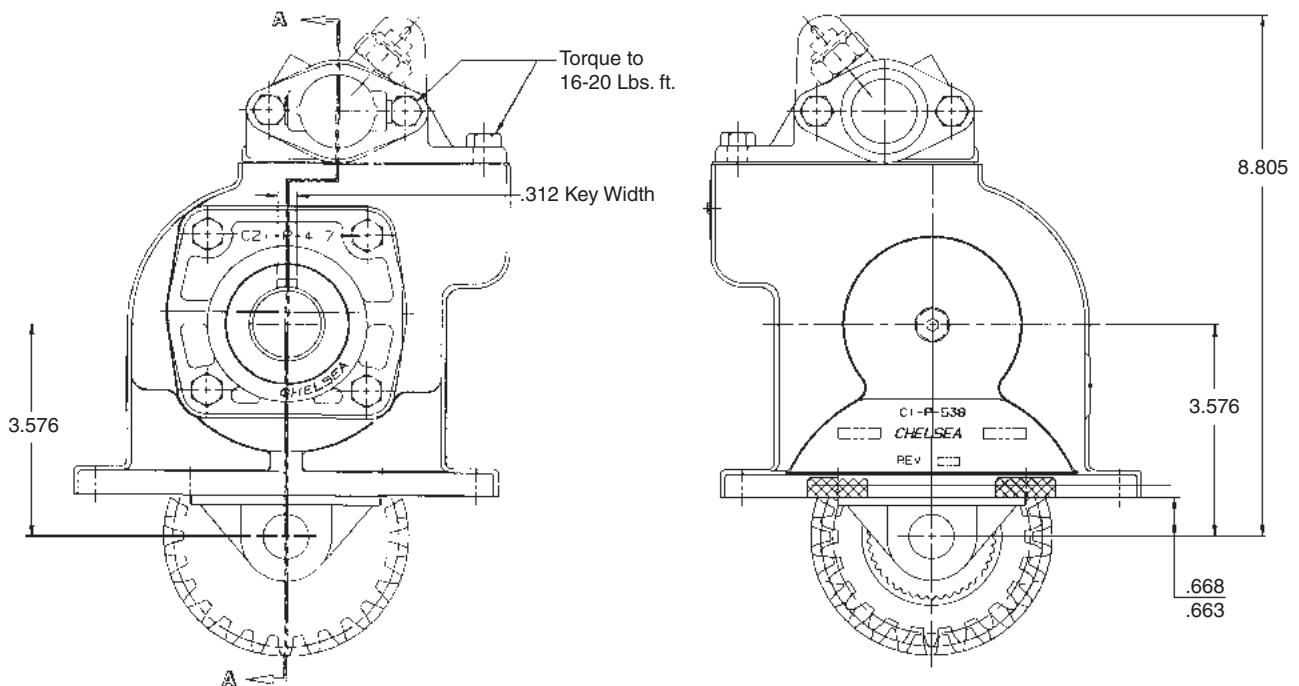
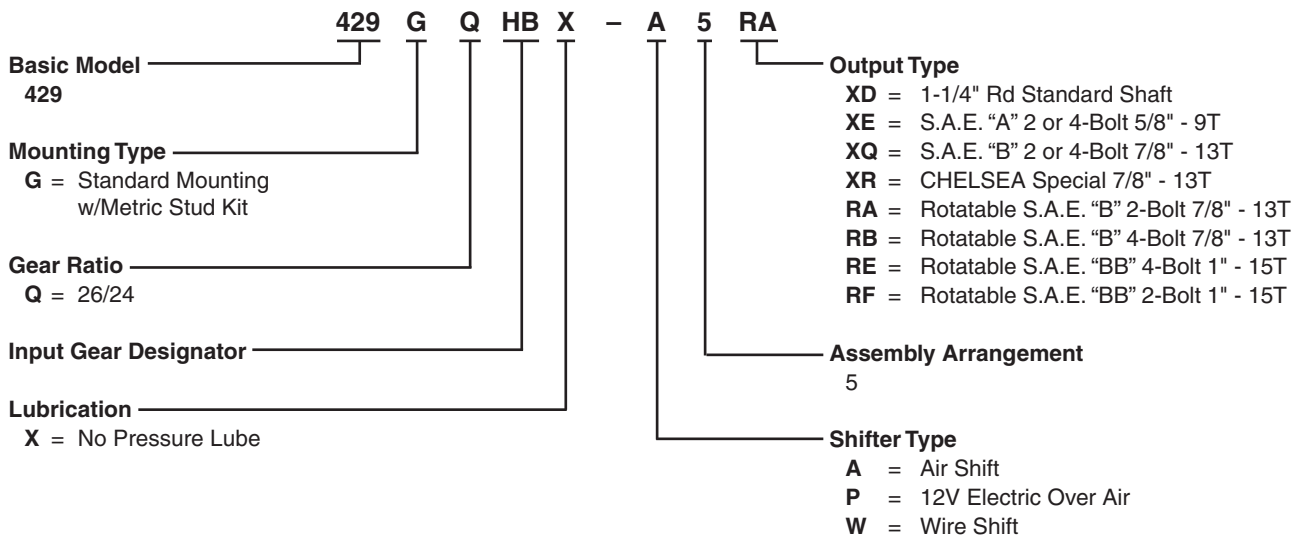
Fax: 1-662-895-1069
chelseacustserv@parker.com

www.parker.com/chelsea



ENGINEERING YOUR SUCCESS.

Model Number Designator



Series Specifications Chart – 429 Series

	429*Q
Standard Output Shaft Size	1-1/4" Round w/key
Intermittent Torque Rating (Lbs. ft.)	175
Intermittent Torque Rating (N.m.)	237
Horsepower Rating for Intermittent Service	
At 500 R.P.M. of the Output Shaft (HP)	17
At 1000 R.P.M. of the Output Shaft (HP)	33
At 500 R.P.M. of the Output Shaft (Kw)	12
At 1000 R.P.M. of the Output Shaft (Kw)	25
Approximate Weight:	37 lbs. [17 kg]