

PS62 – OEM Subminiature Pressure Switch

- ▶ 15 to 600 psi (1 to 41 bar)
- ▶ Exceptional Size-to-Pressure-Range Ratio
- ▶ Adjustable or Factory Set
- ▶ Minimal Set Point Change at Low Temperature Extremes

These compact pressure switches are designed for medium pressure OEM applications. They offer all the performance of our proven PS61 model with the low temperature capability of Kapton®.

Specifications

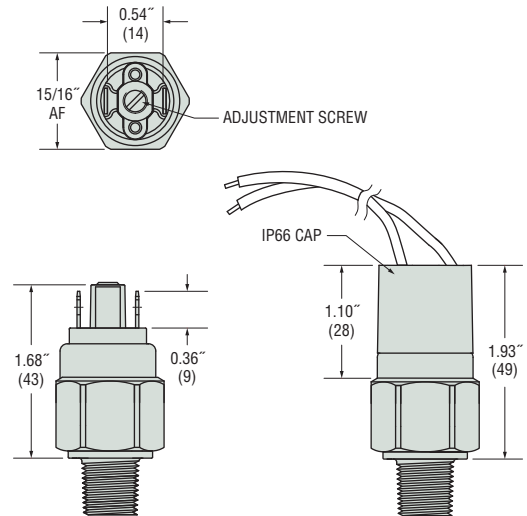
Operating Temperature	-40°F to +230°F (-40°C to +110°C)
Switch*	100 VA Max.
Repeatability	See Table 1
Wetted Parts	
Housing	Zinc-Plated Steel (optional 316L Stainless Steel)
Diaphragm	Kapton® (polyimide)
O-Ring	Nitrile (other materials available)
Electrical Termination	Exposed Terminals IP00; IP option IP66
Deadband	See Table 1
Proof Pressure	3000 psi (207 bar)
Burst Pressure	6000 psi (414 bar)
Approvals	CE (limits switch voltage to 42 VDC)
Weight, Approximate	Steel: 0.14 lbs. (0.06 kg)

* Gold contacts (option G) may be required for less than 12 VDC and 20 mA.



CE

Dimensions



How To Order

Use the **Bold** characters from the chart below to construct a product code. Please reference Notes.

PS62 **-10** **-4MNZ** **-A** **-SP** **-XX** **-XXXX**

1
2
3
4
5
6

1 Pressure Range Code

Insert Pressure Range Code from Table 1, below.

2 Pressure Fitting¹

12L14 Zinc-Plated Steel

-2MNZ = 1/8" NPTM 12L14

-4MNZ = 1/4" NPTM 12L14

-2MGZ = 1/8" BSPM 12L14 (G type)

-4MGZ = 1/4" BSPM 12L14 (G type)

-4MSZ = 7/16"-20 SAE Male

-6MSZ = 9/16"-18 SAE Male

-M10Z = M10 x 1.0, Straight

-M14Z = M14 x 1.5, Straight

316L Stainless Steel

-2MNS = 1/8" NPTM

-4MNS = 1/4" NPTM

-2MGS = 1/8" BSPM (G type)

-4MGS = 1/4" BSPM (G type)

-4MSS = 7/16"-20 SAE Male

-6MSS = 9/16"-18 SAE Male

3 Circuit

-A = SPST/N.O.

-B = SPST/N.C.

4 Electrical Termination

-SP = Spade Terminals (standard)

-TS = Terminal Screws

-FLXX = Flying Leads²

-FLSXX = Flying Leads w/PVC Shrink Tubing²

-CABXX = 18 AWG PVC Cable³

5 Options

-G = Gold Contacts

(for loads less than 12 mA @ 12 VDC)

-IP = Ingress Protection⁴

-IPA = Removable Silicone Seal for Set Point Adjustment⁵

-R = Restrictor (low damping coefficient) Brass

-SR = Spiral Restrictor (high damping coefficient) 12L14 Steel w/Black Oxide Finish⁶

-OF = Oil Free Cleaned (requires SS housing)

-RB = Rubber Boot (shipped loose)

-WF = Weather Pack Connector, Female

-WM = Weather Pack Connector, Male

-DE = Deutsch Connector, Male, DT04 Series

6 Fixed Set Point (optional)

A. Specify set point **-FS**

(in PSI or BAR, see example)⁷

B. Set Point Actuation

R on Rising Pressure

F on Falling Pressure

Example: **-FS3BARF** for 3 BAR Falling

or **-FS60PSIR** for 60 PSI Rising

Notes:

- Other fittings available. Consult factory.
- 18" is standard. Specify lead length in inches (max. 48"). e.g. **-FL18** or **-FLS30**.
- 36" is minimum. Specify cable length in inches. e.g. **-CAB36** or **-CAB120**.
- Ingress Protection is available only with **-FL**, **-FLS** or **-CAB** Electrical Termination choices.
- IPA protection is available only with **-FL** or **-FLS**.
- SR** will result in wider deadbands and lower response time.
- Set Point must be within Pressure Range selected in Step 1.

Table 1 — Pressure Range Codes

Pressure Range Code	Pressure Range	Accuracy*	Average Deadband**
10	15-60 psi (1-4 bar)	±1.5 psi (0.10 bar) +4% of setting	3 psi (0.21 bar) +6% of setting
20	40-150 psi (3-10 bar)	±2.5 psi (0.17 bar) +4% of setting	5 psig (0.34 bar) +7% of setting
30	75-275 psi (5.2-18.9 bar)	±3.75 psi (0.26 bar) +4% of setting	7 psig (0.48 bar) +9% of setting
40	150-600 psi (10.3-41.4 bar)	±5 psi (0.34 bar) +4% of setting	10 psi (0.69 bar) +11% of setting

* Accuracy and set point of units may change due to the effects of temperature.

** In certain applications deadband can be tailored and controlled to customer specifications. Consult factory for details.