

## FS-380B Series – Compact Flow Switch 1/4" with Tube Fitting

**Flow Rate Settings:** 0.25 GPM to 2.00 GPM

**Port Size:** 1/2" NPT with 1/4" Tube Fitting

**Primary Construction Material:** Brass

**Setting Type:** Fixed

These rugged inline flow switches feature unique dual connection ports that provide 1/2" NPT and 1/4" tub fittings. They require 100 micron filtration and are less susceptible to clogging than other inline flow switches. The FS-380B is an excellent choice for semicon cooling applications where simple design and reliable operation are required.

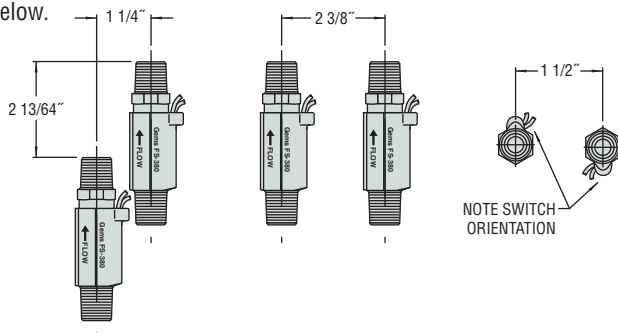
### Specifications

<b>Wetted Materials</b>	
<b>Housing</b>	Brass
<b>Piston</b>	PPS Composite, Epoxy
<b>Spring</b>	316 Stainless Steel
<b>O-Ring</b>	Fluorocarbon
<b>Cartridge O-Ring</b>	EPDM
<b>Cartridge Collet</b>	Polypropylene
<b>Operating Pressure, Maximum</b>	150 PSI (10 bar)
<b>Operating Temperature</b>	-20°F to +275°F (-28.8°C to +135°C)
<b>Set Point Accuracy</b>	±20% Maximum
<b>Set Point Differential</b>	20% Maximum
<b>Switch*</b>	SPST, 20VA, N.O. at no Flow
<b>Electrical Termination</b>	No. 22 AWG, 24" to 26" Polymeric leads

\*See "Electrical Data" on Page X-5 for more information.

### Spacing

To prevent sensor to sensor magnetic field interference, follow the spacing guidelines below.



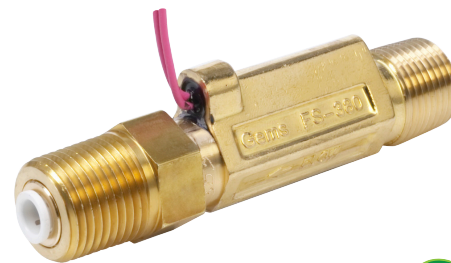
### How To Order – Standard Models

Specify Part Number based on flow settings.

Flow Settings GPM <sup>1</sup>	Brass	
	1/2" NPT Male with 1/4" Tube Fitting	
0.25	248933	
0.50	248934	
1.00	248935	
1.50	248936	
2.00	248937	

Note:

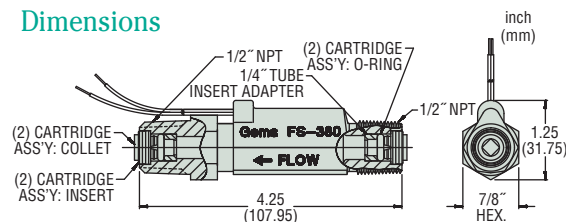
- Flow settings are calibrated using water @ 70°F on increasing flow with units in horizontal position. Consult factory for other fluid compatibility.



U.L. Recognized  
File No. E31926



### Dimensions



### Pressure Drop – Typical

