

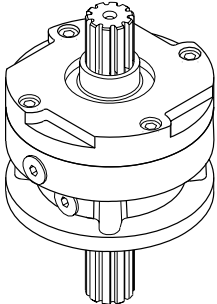


1900 Kansas City Road ■ P. O. Box 875 ■ Olathe, KS 66051
 Phone (913) 782-1238 ■ Fax (913) 782-4206
 Sales@EskridgeInc.com ■ www.EskridgeInc.com

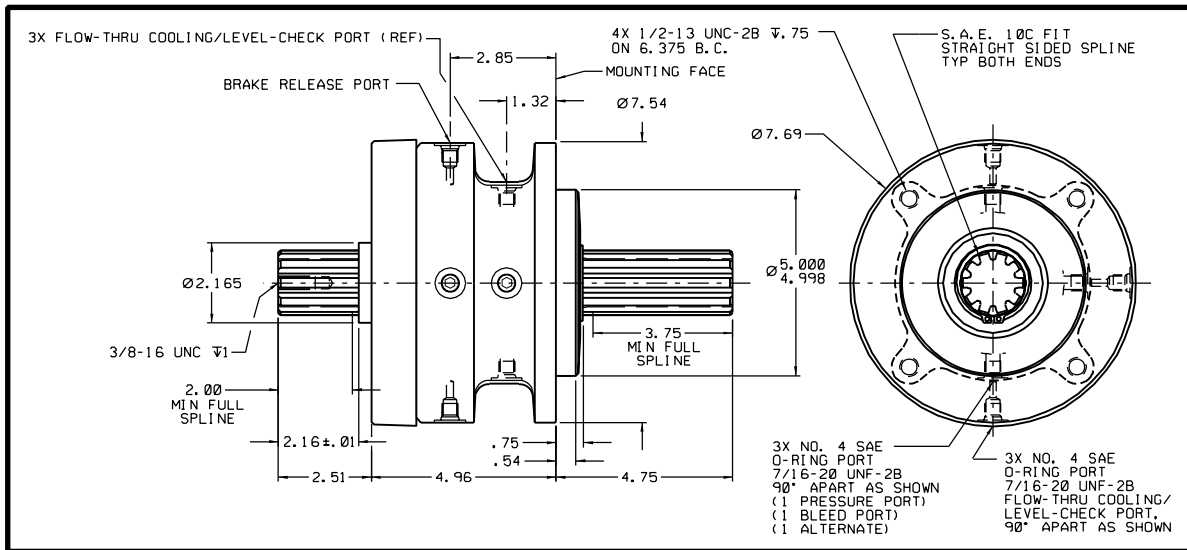
IN-LINE 10 SPLINE 95C MULTIPLE DISC BRAKE

PS95C10-AB

PAGE 1 OF 1



- Dual external splined through shaft - Standard SAE 10C spline both ends**
- Large sintered bronze friction linings**
- For use with system pressure up to 3,000 PSI**
- Hardened & ground steel shafts**
- Meets 1990 ANSI A92.2 burst pressure specification requirements**
- Most compact SAE "C" package available**



Specifications

Maximum release pressure	3,000 PSI	Maximum operating temperature	170°F
Maximum continuous pressure	3,000 PSI	Volume of oil to release brake	.5 cu. in.
Maximum speed at full release pressure	3,900 RPM	Approximate weight	49 lbs.
Shaft splines	30° involute, flat root side fit per ANSI 92.1a-1976 internal - class 7, external - class 5		

Options and Ordering Information

Model ----- 95C
Output Mounting ----- SAE "C" 4 Bolt Thru
Output Shaft ----- 10 Spline Male

Torque	Torque Code	Release Pressure (Initial/Full)	Torque Code	Release Pressure (Initial/Full)
B037	= 3,500 in-lbs	130/160 PSI	B068	= 8,000 in-lbs 240/300 PSI
B047	= 4,500 in-lbs	165/200 PSI	B087	= 9,000 in-lbs 310/390 PSI
B048	= 5,500 in-lbs	165/200 PSI	B088	= 10,000 in-lbs 310/390 PSI
B067	= 6,600 in-lbs	240/300 PSI		

Options ----- Flow-Thru Ports or Wet

Note on torque and options: Torque ratings are based on dry bronze friction discs at (0) PSI back pressure. Breakaway torque may vary +/- 10% from specified ratings. The "W" wet option is furnished with mineral base hydraulic oil. Torque rating for wet bronze brakes will vary depending on the type of oil used. Consult factory for any wet or flow-thru brake applications. Use only mineral base hydraulic oil for release of brake. For flow-thru option, use only fluids that are compatible with internal seals.

Part number: ----- Individual part number will be issued upon receipt of order (example: 95-006-XXXX).