

Definite Purpose Molded-Case Circuit Breakers

Contents

Description	Page
Type GP 15–100A Three-Pole	2
Type GP 15–100A Three-Pole Cutout and Drilling Plan	3
Type FP 15–225A Three-Pole	4
Type FP 15–225A Three-Pole Cutout and Drilling Plan	5
Type KP 200–400A Three-Pole	6
Type KP 200–400A Three Pole Cutout and Drilling Plan	7
Type LP 450–600A Three-Pole	8
Type LP 450–600A Three-Pole Cutout and Drilling Plan	9
Type MP 700–800A Three-Pole	10
Type MP 700–800A Three-Pole Cutout and Drilling Plan	10



Powering Business Worldwide

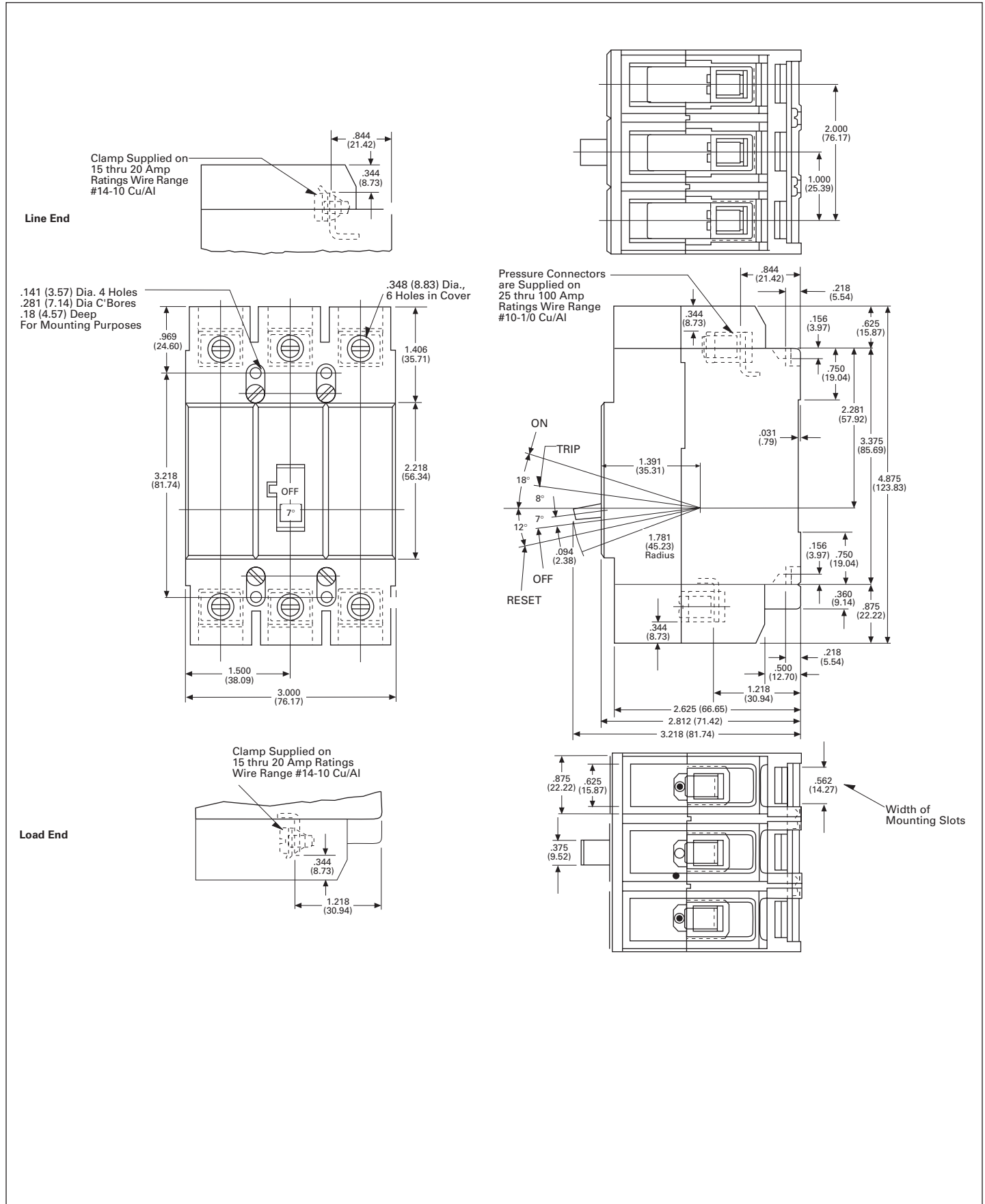


Figure 1. Type GP 15-100A Three-Pole—Dimensions in Inches (mm).

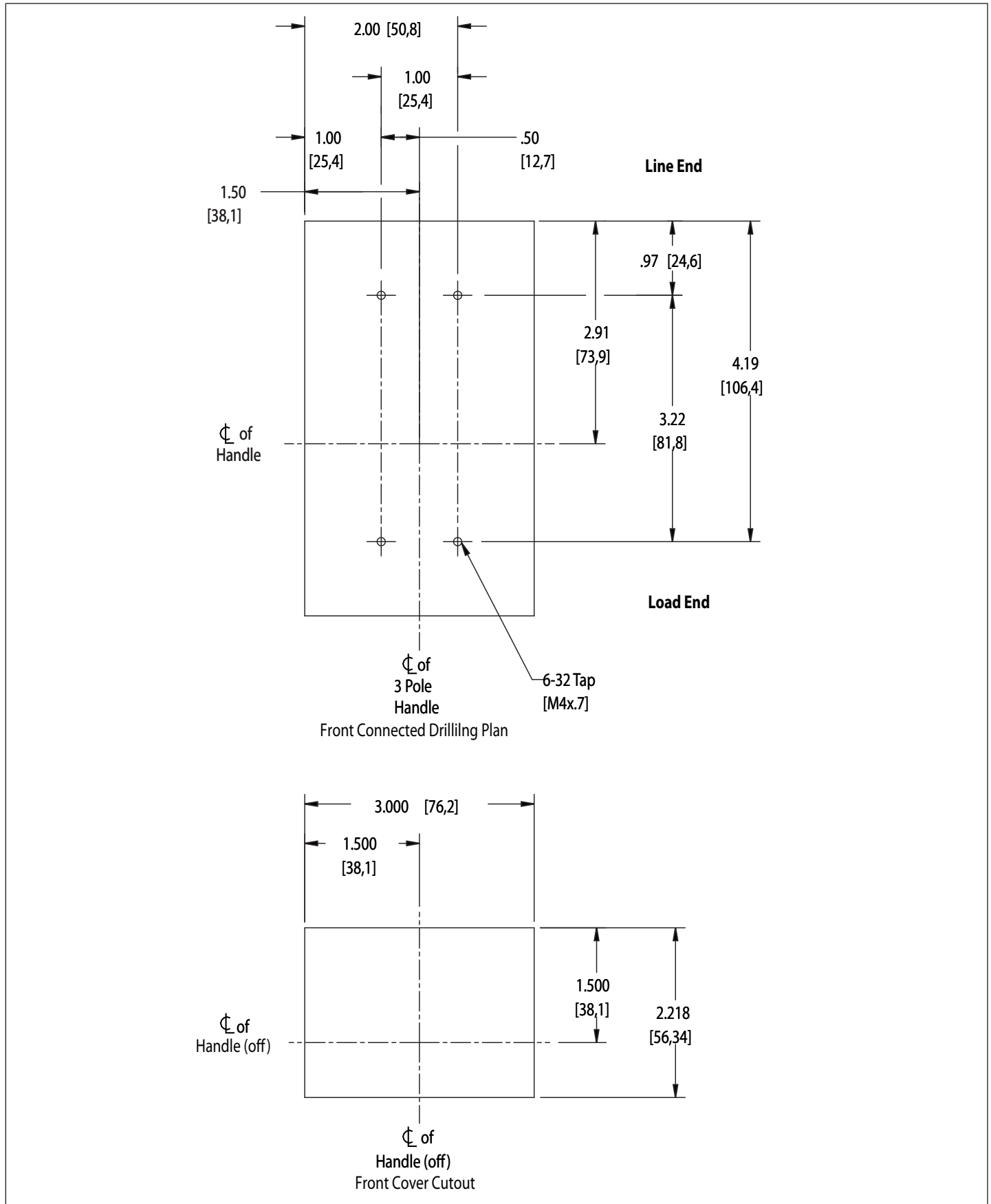


Figure 2. Type GP 15-100A Three Pole Cutout and Drilling Plan - Dimensions in Inches (mm).

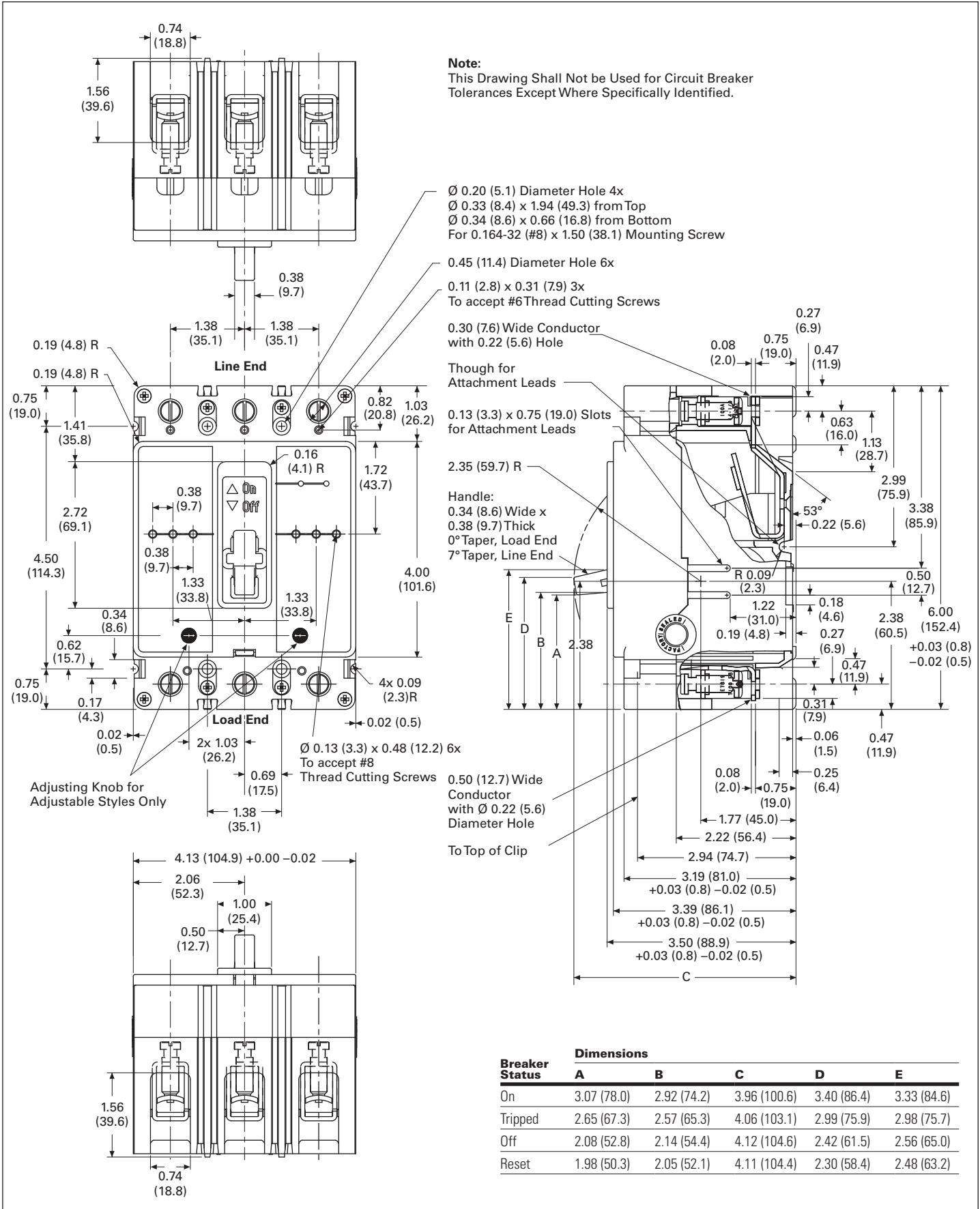


Figure 3. Type FP 15-225A Three-Pole—Dimensions in Inches (mm).

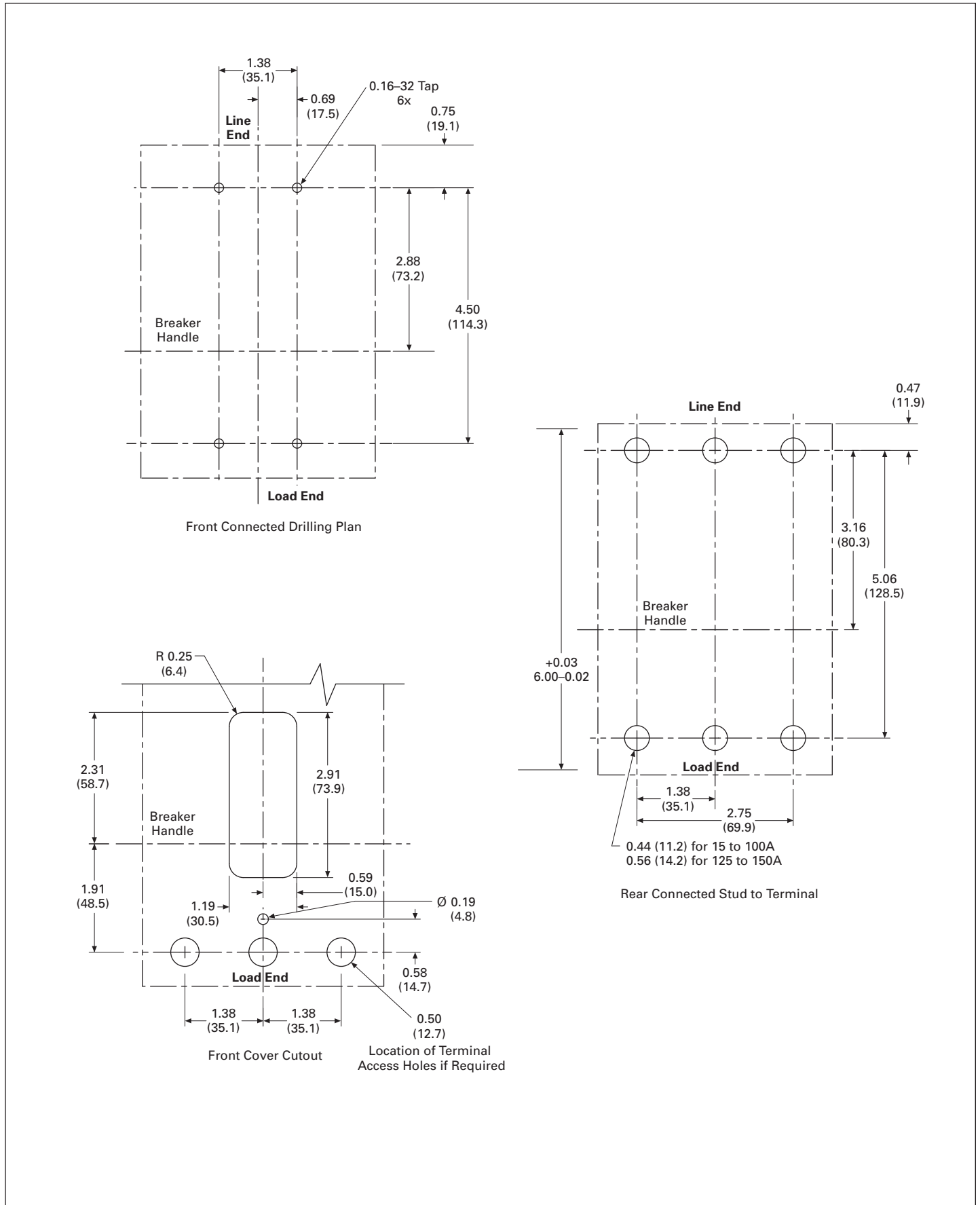


Figure 4. Type FP 15-225A Three-Pole Cutout and Drilling Plan—Dimensions in Inches (mm).

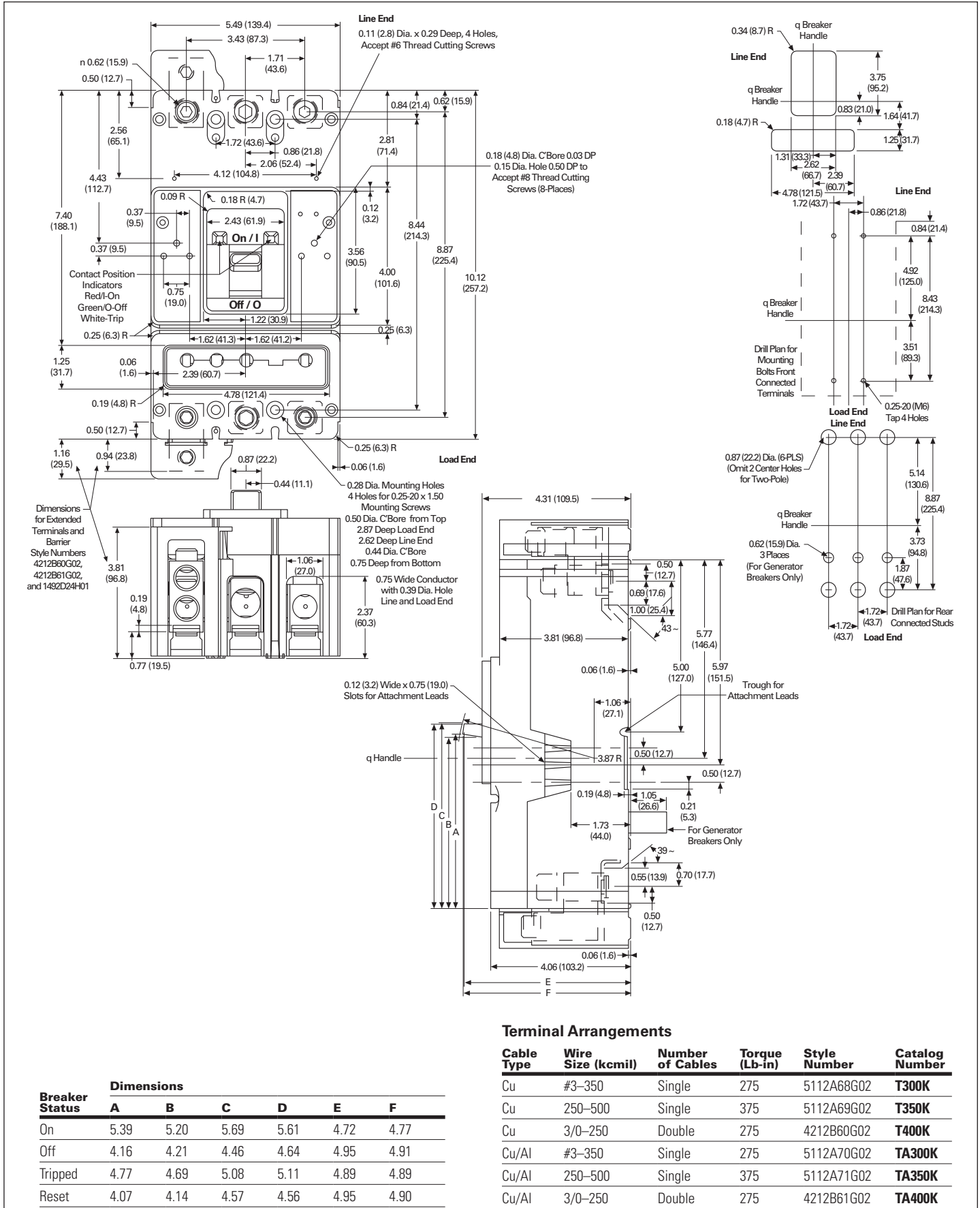


Figure 5. Type KP 200-400A Three-Pole—Dimensions in Inches (mm).

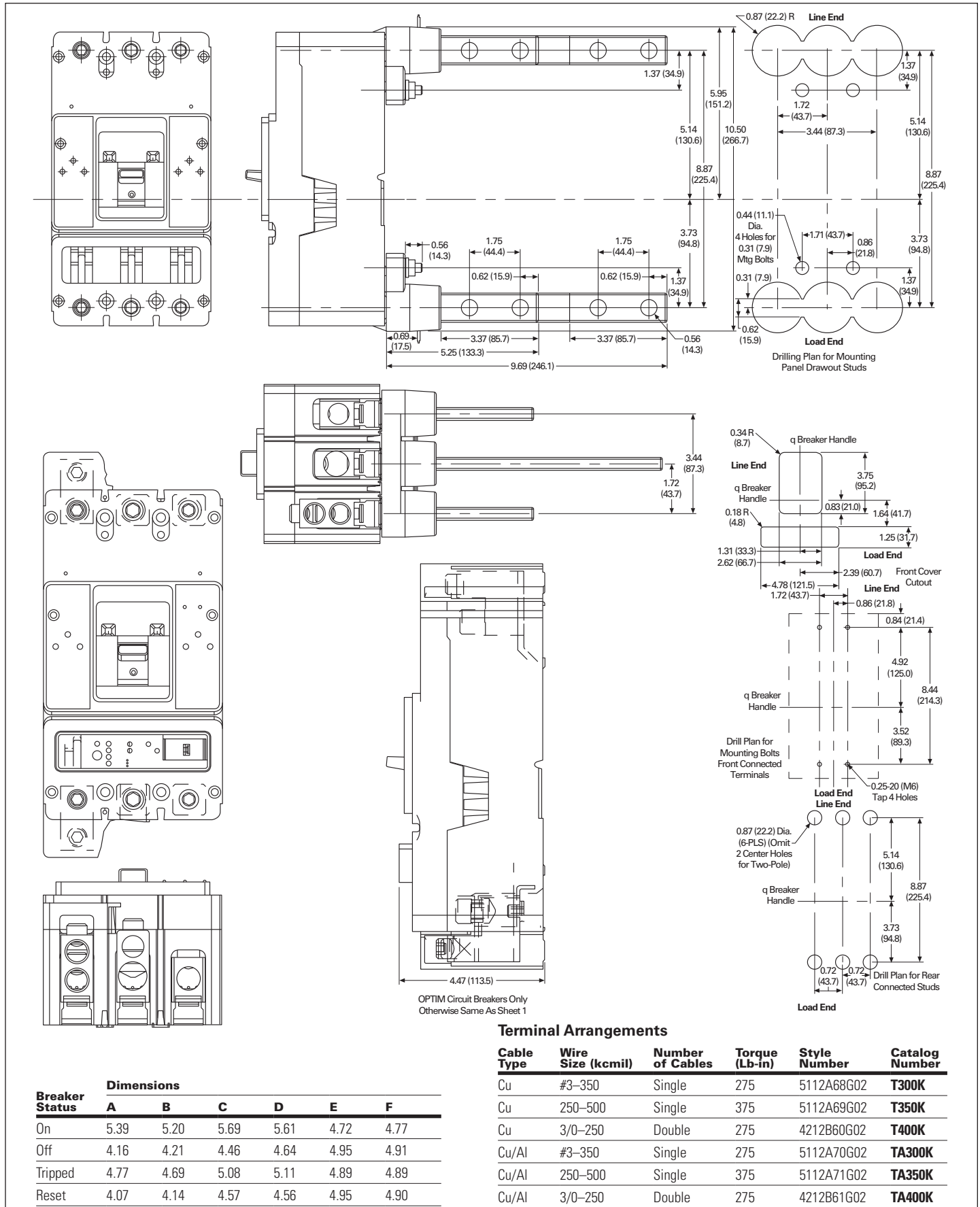


Figure 6. Type KP 200-400A Three Pole—Dimensions in Inches (mm).

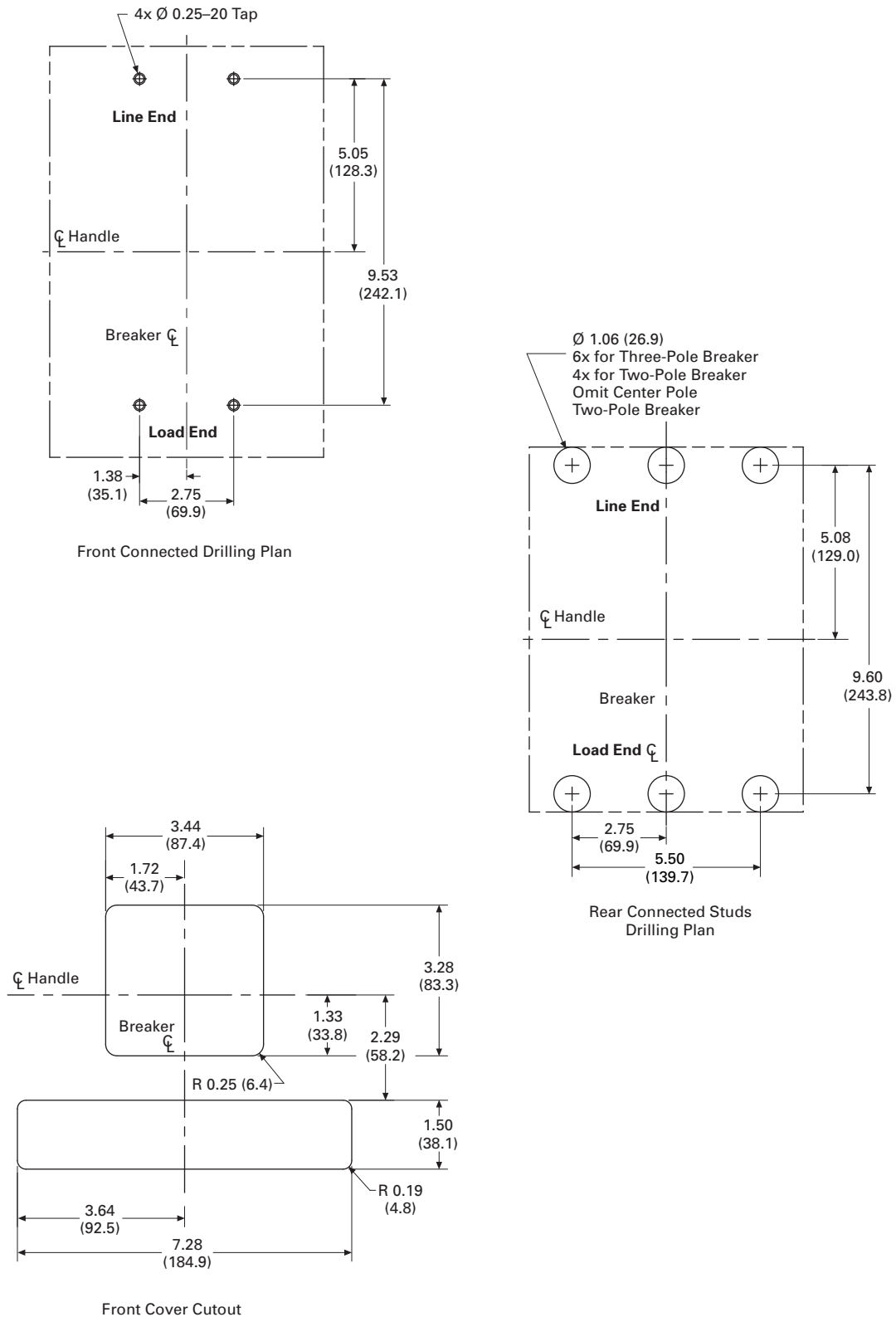


Figure 8. Type LP 450-600A Three-Pole Cutout and Drilling Plan—Dimensions in Inches (mm).

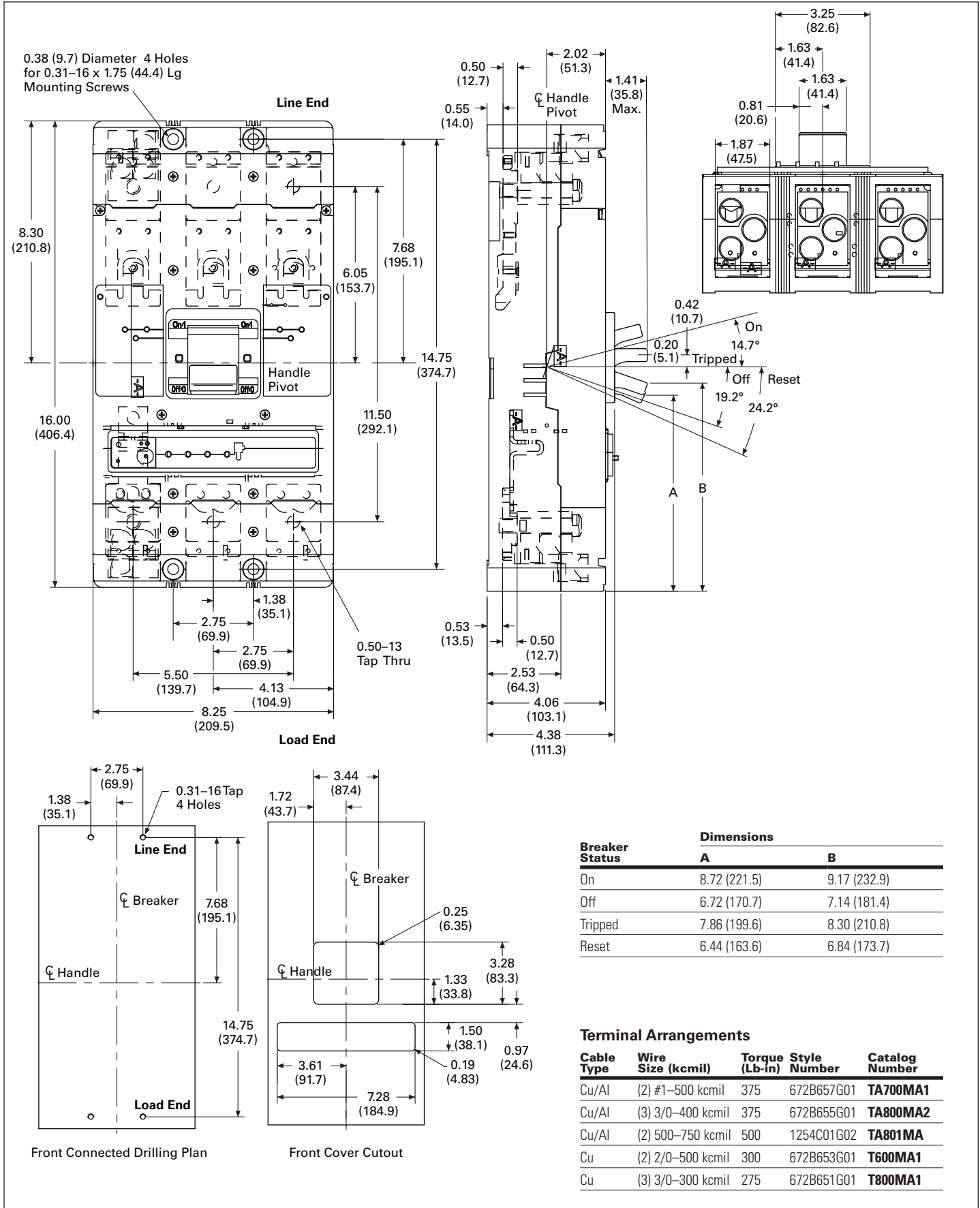


Figure 9. Type MP 700-800A Three-Pole Cutout and Drilling Plan—Dimensions in Inches (mm).

Notes:

Eaton Corporation
Electrical Sector
1111 Superior Ave.
Cleveland, OH 44114
United States
877-ETN-CARE (877-386-2273)
Eaton.com

© 2012 Eaton Corporation
All Rights Reserved
Printed in USA
Publication No. TD01208006E / TBG000879
March 2012

Eaton is a registered trademark of
Eaton Corporation.

All other trademarks are property of their
respective owners.

