

General Purpose and Heavy Duty Keylocks



**Contents**

<i>Description</i>	<i>Page</i>
Keylock Switches, General Purpose/Heavy Duty—AC/DC Rated	
Product Selection . . . . .	<b>V11-T3-6</b>
Accessories . . . . .	<b>V11-T3-7</b>
Technical Data and Specifications . . . . .	<b>V11-T3-7</b>
Dimensions . . . . .	<b>V11-T3-8</b>

**Product Description**

**General Purpose**

These keylock switches provide reliable performance in a space-saving design. They all use quick-make/quick-break switching mechanisms, with wiping action blades for self-cleaning contacts.

**Heavy Duty**

These switches have a slow-make/slow-break switching mechanism with large butt type contacts. Their high current switching capability allows them to be used for locking switching circuits in power applications.

**Features**

**Termination Types**

**General Purpose**

Solder lugs—Brass silver-plated

**Heavy Duty**

- 7842 Series
- Screw terminals—Brass designed to accept #7-32 x 3/16 binding head screws

Furnished unassembled

- 7846 Series
- Quick connect terminals—Brass

**Mounting Means**

**General Purpose**

Threaded bushing—0.468 in (11.89 mm) dia.

Keyway—0.062–0.067 in wide x 0.035–0.370 deep (1.55–1.70 mm wide x 0.89–0.94 mm deep)

Hardware supplied—1 hexnut (Cat. No. **15-192**) and 1 chamfered dress nut (Cat. No. **15-994-2**)

Furnished unassembled

**Heavy Duty**

- 7842 Series
- Slotted bushing—0.468 in (11.89 mm) dia.

Hardware supplied—4 terminal screws and 1 hexnut

Furnished unassembled

- 7846 Series
- Hardware supplied—2 hexnuts

# 3.3

## Special Devices

### Keylock Switches, General Purpose/Heavy Duty—AC/DC Rated

#### Product Selection

3



#### General Purpose Keylock AC/DC Switches

Circuit with Key in ... (Keyway Down)

Rating	Poles and Throw	LEFT Position	CENTER Position (Keyway)	RIGHT Position	Key Removal Position	Solder Lug Terminal Catalog Number
6A, 125 Vac/Vdc 3A, 250 Vac/Vdc	1PST	—	OFF	ON	CENTER	<b>8928K492</b>
		—	OFF	ON	CENTER and RIGHT	<b>8928K493</b>
6A, 125 Vac/Vdc 1A, 250 Vac/Vdc	1PDT	—	ON	ON	CENTER and RIGHT	<b>8928K494</b>
6A, 125 Vac/Vdc 1-1/2A, 250 Vdc	1PDT	—	ON	ON	CENTER	<b>8283K150</b>
6A, 125 Vac/Vdc 3A, 250 Vdc	2PST	—	OFF	ON	CENTER	<b>8370K150</b>
		—	ON	OFF	CENTER	<b>8370K151</b>
6A, 125 Vac/Vdc 3A, 250 Vac/Vdc	2PST	—	OFF	ON	CENTER and RIGHT	<b>8928K495</b>
6A, 125 Vac/Vdc 3A, 250 Vdc	2PDT	—	ON	ON	CENTER	<b>8373K150</b>
		—	ON	ON	CENTER and RIGHT	<b>8373K151</b>



#### Heavy Duty Keylock AC Rated Switches

Rating	Circuit	Action	Key Removal Position	Slotted Bushing Length		Type of Termination	Key Style	Catalog Number
				Inches	mm			
<b>7846 Type Series</b>								
20A, 120 Vac 20A, 240 Vac 1-1/2 hp, 120 Vac 2 hp, 240 Vac	2PST	OFF-ON-OFF-ON	OFF	0.50	12.7	Quick Connect	<b>E (13-8173)</b>	<b>7846K1</b> <sup>①</sup>

**Note**

① Not CSA Certified.

## Accessories

### Keys for Locking Switches

Additional keys may be ordered from the Key Selection table.

Key styles shown match those listed for specific switches in the Product Selection tables.



### Key Selection

Where Used	Catalog Number
General purpose and heavy duty series	<b>13-5496</b>
Security locking bracket	<b>13-8171</b>
7846K1	<b>13-8173</b>

### Rotary Keylock Brackets—Security Tumbler Type

This series of rotary keylock is designed for use in security applications. They provide a simple method of converting single- and two-pole toggle switches. For use with two- or three-position switches.

### Key Selection

Where Used	Catalog Number
Key removable in counter-clockwise position	<b>8980P25</b>
Key removable in clockwise position	<b>8980P27</b>
Key removable in either extreme position	<b>8980P28</b>

## Technical Data and Specifications

### Keylock Switches, General Purpose/Heavy Duty—AC/DC Rated

Description	General Purpose	Heavy Duty
Circuits	1PST, 1PDT, 2PST, 2PDT Maintained action	2PST, 2-circuit maintained
Contact mechanism	Quick-make/quick-break wiping action	Slow-make/slow-break butt contact
Contact material	Movable—Bronze silver-plated Stationary—Brass silver-plated	Movable—Silver cadmium oxide Stationary—Silver cadmium oxide

### Rotary Keylock Brackets

Description	Specification
Bushing	7/8 in dia., 24 threads/inch
Mounting hardware and keys	
1 hexagon locknut	Cat. No. 15-2528-2
1 bright chrome plated dress nut	Cat. No. 15-2528-2 (furnished unassembled)
2 keys	Cat. No. 13-8171
Finish	
Lock bushing	Diecast zinc
Lock barrel and dress nut	Chrome plated brass
Keys	Brass

# 3.3

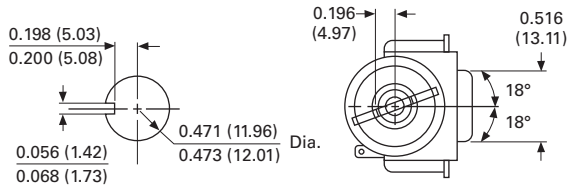
## Special Devices

### Keylock Switches, General Purpose/Heavy Duty—AC/DC Rated

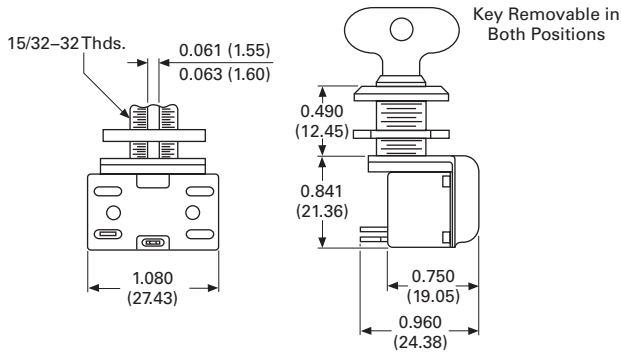
#### Dimensions

Approximate Dimensions in Inches (mm)

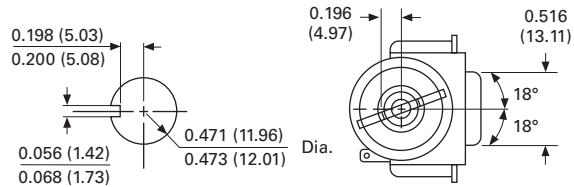
#### 8928K493—1PST/1PDT



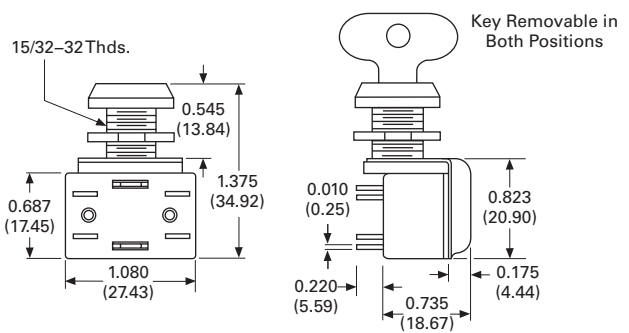
Mtg. Hole



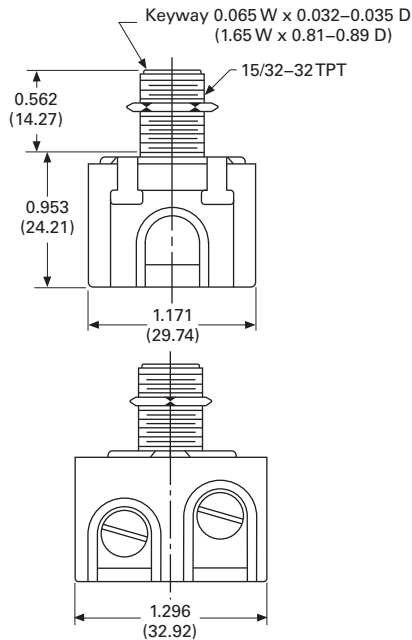
#### 8373K151—2PST/2PDT



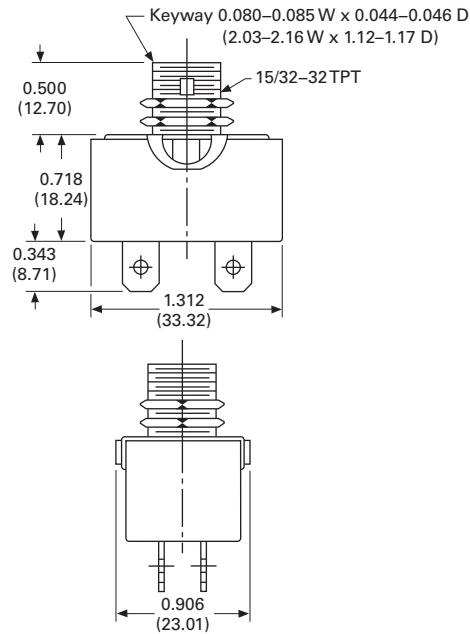
Mtg. Hole



#### 7842K2—2PST



#### 7846K1—2PST



#### 8980P27

