

### E55 Limit Switch Style Sensors with Nonmetallic Housings



### Contents

| Description  | Page     |
|--|----------|
| E55 Limit Switch Style Sensors with Nonmetallic Housings |          |
| Product Selection  | V8-T3-81 |
| Technical Data and Specifications                        | V8-T3-82 |
| Wiring Diagrams  | V8-T3-82 |
| Dimensions   | V8-T3-82 |

### E55 Limit Switch Style Sensors with Nonmetallic Housings

#### Product Description

These sensors from Eaton's Electrical Sector feature PBT resin housings for high resistance to corrosion. The housing is sized to offer a direct replacement for standard limit switches. The unique sensing head is factory assembled for top sensing, but can be easily converted in the field to any one of four side sensing positions. Models are available with sensing ranges from 15 mm to 40 mm. The sensors can be wired for NO or NC operation.

#### Features

- Nonmetallic housing offers excellent resistance to corrosion
- Same form factor and mounting as standard limit switches for easy retrofit
- Sensor head features five sensing positions (top and all four sides) that can be easily changed in the field
- Long sensing ranges up to 40 mm

#### **⚠ DANGER**

**THIS SENSOR IS NOT A SAFETY DEVICE AND IS NOT INTENDED TO BE USED AS A SAFETY DEVICE. This sensor is designed only to detect and read certain data in an electronic manner and perform no use apart from that, specifically no safety-related use. This sensor product does not include self-checking redundant circuitry, and the failure of this sensor product could cause either an energized or de-energized output condition, which could result in death, serious bodily injury, or property damage.**

#### Product Selection

##### E55 Limit Switch Style Sensors

#### E55 Limit Switch



#### Two-Wire Sensors

| Voltage Type | Sensing Range (Sn) | Shielding  | Output   | Connection Type | Catalog Number |
|--------------|--------------------|------------|----------|-----------------|----------------|
| 35–250 Vac   | 15 mm              | Shielded   | NO or NC | Terminal wiring | E55BLT1C       |
|              | 20 mm              | Unshielded |          |                 | E55BLT1D       |
|              | 30 mm              |            | E55BLT1E |                 |                |
|              | 40 mm              |            | E55BLT1F |                 |                |

For the most current information on this product, visit our Web site: [www.eaton.com](http://www.eaton.com)

For Customer Service in the U.S. call 1-877-ETN CARE (386-2273), in Canada call 1-800-268-3578. For Application Assistance in the U.S. and Canada call 1-800-426-9184.

# 3.14

## Inductive Proximity Sensors

### E55 Limit Switch Style Sensors with Nonmetallic Housings

#### Technical Data and Specifications

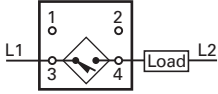
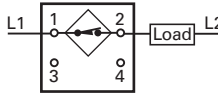
##### E55 Limit Switch Style Sensors

| Description           | Specification   |
|-----------------------|---|
| Operating voltage     | 35–250 Vac  |
| Maximum load current  | 400 mA  |
| Switching frequency   | 25 Hz maximum   |
| Leakage current       | 1.8 mA  |
| Voltage drop          | 8V maximum  |
| Inrush                | 5A maximum for 20 ms  |
| Indicator LEDs        | Two LEDs: One lights when power is ON, the other lights when output is ON |
| Operating temperature | –13° to 158°F (–25° to 70°C)  |
| Enclosure ratings     | NEMA 4, 4X, 6, 12, 13 (IP67)  |
| Housing material      | PBT resin   |

#### Wiring Diagrams

Pin numbers are for reference, rely on pin location when wiring.

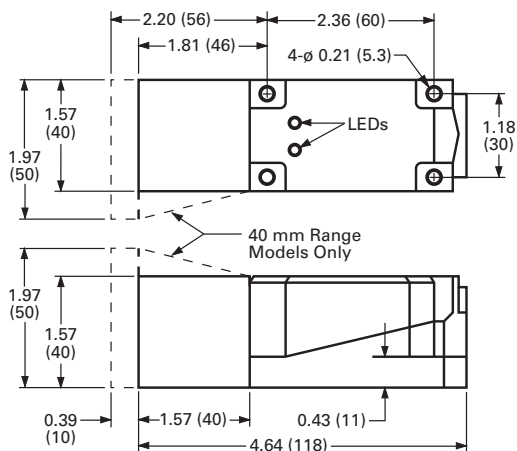
##### E55 Limit Switch Style Sensors

| Operating Voltage       | Output | Terminal Models   |
|-------------------------|--------|---|
| <b>Two-Wire Sensors</b> |        |   |
| 35–250 Vac ①            | NO     |   |
|                         | NC     |  |

#### Dimensions

Approximate Dimensions in Inches (mm)

##### E55 Limit Switch Style Sensors



#### Note

① Switches are shipped as NO configuration. Internal jumpers must be moved to program for NC.