

#### D3 Series Relay

3



#### D3PR/D3PF Series

##### Product Description

The D3 Series of relays provides excellent functionality in a popular octal base design. Rigid pins and guide allow for quick and easy installation with little risk of damage.

##### Features

###### D3PR

- Compact relay capable of breaking relatively large load currents
- Panel and DIN rail mounting
- 8- or 11-pin octal plug-in

#### Contents

##### Description


<i>Description</i>	<i>Page</i>
D1PR/D1PF Series . . . . .	<b>V7-T3-53</b>
D2PR/D2PF Series . . . . .	<b>V7-T3-58</b>
D3PR/D3PF Series	
Catalog Number Selection . . . . .	<b>V7-T3-69</b>
Product Selection . . . . .	<b>V7-T3-69</b>
Accessories . . . . .	<b>V7-T3-71</b>
Technical Data and Specifications . . . . .	<b>V7-T3-72</b>
Dimensions . . . . .	<b>V7-T3-73</b>
D4 Series . . . . .	<b>V7-T3-78</b>
D5PR/D5PF Series . . . . .	<b>V7-T3-82</b>
D7PR/D7PF Series . . . . .	<b>V7-T3-91</b>
D8 Series . . . . .	<b>V7-T3-106</b>
D9 Series . . . . .	<b>V7-T3-112</b>
Accessories . . . . .	<b>V7-T3-116</b>


###### D3PF

- The contact operation can be easily checked by Push-to-Test button
- Flag indicator shows relay status in manual or powered condition
- LED status lamp shows coil ON or OFF status—ideal for use in low light applications
- Push-to-Test button allows for manual operation of relay without the need for coil power
- Lock-down door holds pushbutton and contacts in the operate position when activated
- Finger-grip cover allows operator to remove relays from sockets easily
- ID tag/write label to identify relays in multiple-relay circuits
- Bipolar LED allows for reverse polarity applications

##### Standards and Certifications

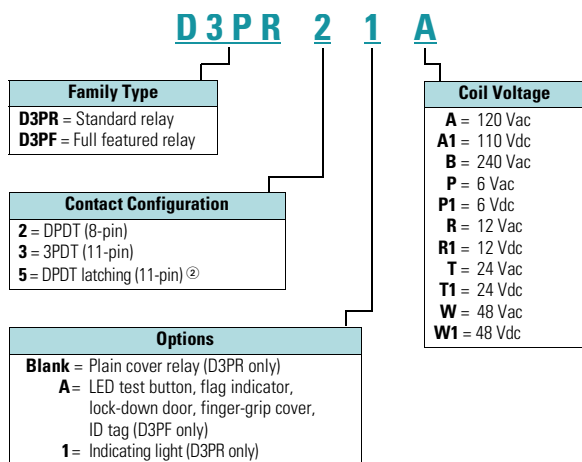


 (CSA approval not applicable to D3PR5 Relays)

 When used with accompanying Eaton screw terminal socket (for D3PF only)

### Catalog Number Selection

#### D3PR/D3PF Series ①



### Product Selection

#### D3 Relay/Socket Quick Reference

Relay Type	Socket	Clip	Module Type	ID Tag	Jumper
D3PR2, D3PF2	D3PA6	PQC-1332	A	—	D3PJ1
	D3PAL8	PQC-1351	A	PWF-D3D5	—
	D3PA2	PQC-1351	None	—	—
D3PR3, D3PF3	D3PA7	PQC-1332	A	—	D3PJ1
	D3PAL11	PQC-1351	A	PWF-D3D5	—
	D3PA3	PQC-1351	None	—	—
D3PR5	D3PA7	PQC-1351	A	—	D3PJ1
	D3PAL11	PQC-1351	A	PWF-D3D5	—
	D3PA3	PQC-1351	None	—	—

#### Notes

- ① For deciphering catalog numbers. Do not use for ordering as not all combinations are readily available.
- ② D3PR only.

# 3.4

## Control Relays and Timers

### General Purpose Plug-In Relays

3

D3 Series Relay



#### D3PR/D3PF Series

Coil Voltage	Contact Configuration	Coil Resistance (Ohms)	Catalog Number
<b>Full Featured Style</b>			
120 Vac	DPDT	1700	<b>D3PF2AA</b>
240 Vac	DPDT	7200	<b>D3PF2AB</b>
12 Vdc	DPDT	120	<b>D3PF2AR1</b>
24 Vdc	DPDT	470	<b>D3PF2AT1</b>
48 Vdc	DPDT	1800	<b>D3PF2AW1</b>
120 Vac	3PDT	1700	<b>D3PF3AA</b>
220/240 Vac	3PDT	7200	<b>D3PF3AB</b>
6 Vdc	3PDT	32	<b>D3PF3AP1</b>
24 Vac	3PDT	72	<b>D3PF3AT</b>
24 Vdc	3PDT	470	<b>D3PF3AT1</b>
48 Vdc	3PDT	1800	<b>D3PF3AW1</b>
<b>Latching Style</b>			
120 Vac	DPDT	10,000	<b>D3PR5A</b>
110/125 Vdc	DPDT	9000	<b>D3PR5A1</b>
240 Vac	DPDT	36,000	<b>D3PR5B</b>
12 Vdc	DPDT	90	<b>D3PR5R1</b>
24 Vac	DPDT	470	<b>D3PR5T</b>
24 Vdc	DPDT	350	<b>D3PR5T1</b>
48 Vdc	DPDT	1400	<b>D3PR5W1</b>
<b>Plain Cover with LED Indicator</b>			
120 Vac	DPDT	1700	<b>D3PR21A</b>
24 Vac	DPDT	72	<b>D3PR21T</b>
24 Vdc	DPDT	470	<b>D3PR21T1</b>
220/240 Vac	3PDT	7200	<b>D3PR31B</b>
24 Vac	3PDT	72	<b>D3PR31T</b>
24 Vdc	3PDT	470	<b>D3PR31T1</b>
<b>Plain Cover Style</b>			
120 Vac	DPDT	1700	<b>D3PR2A</b>
110/125 Vdc	DPDT	10,000	<b>D3PR2A1</b>
220/240 Vac	DPDT	7200	<b>D3PR2B</b>
6 Vac	DPDT	4.2	<b>D3PR2P</b>
6 Vdc	DPDT	32	<b>D3PR2P1</b>
12 Vac	DPDT	18	<b>D3PR2R</b>
12 Vdc	DPDT	120	<b>D3PR2R1</b>
24 Vac	DPDT	72	<b>D3PR2T</b>
24 Vdc	DPDT	470	<b>D3PR2T1</b>
48 Vac	DPDT	290	<b>D3PR2W</b>
48 Vdc	DPDT	1800	<b>D3PR2W1</b>
120 Vac	3PDT	1700	<b>D3PR3A</b>
110/125 Vdc	3PDT	10,000	<b>D3PR3A1</b>
220/240 Vac	3PDT	7200	<b>D3PR3B</b>
12 Vac	3PDT	18	<b>D3PR3R</b>
12 Vdc	3PDT	120	<b>D3PR3R1</b>
24 Vac	3PDT	72	<b>D3PR3T</b>
24 Vdc	3PDT	470	<b>D3PR3T1</b>
48 Vdc	3PDT	1800	<b>D3PR3W1</b>

## Accessories

## D3PR/D3PF Series Sockets and Accessories

Type	Module Size	Nominal Voltage (Max. for Sockets)	Nominal Current	Mounting Style	Wire Size	Wire Connection	Standard Pack	Catalog Number
Socket	A	300	16	DIN rail/panel	12/14 (2) AWG, 4/2.5 (2) mm <sup>2</sup>	Screw clamping	1	<b>D3PA6</b> <sup>①</sup>
	A	300	12	DIN rail/panel	12/14 (2) AWG, 4/2.5 (2) mm <sup>2</sup>	Elevator	10	<b>D3PAL8</b> <sup>①</sup>
	None	300/600	15/10	DIN rail/panel	12/14 (2) AWG, 4/2.5 (2) mm <sup>2</sup>	Screw clamping	10	<b>D3PA2</b>
	A	600	5	DIN rail/panel	12/14 (2) AWG, 4/2.5 (2) mm <sup>2</sup>	Screw clamping	1	<b>D3PA7</b> <sup>①</sup>
	A	300	12	DIN rail/panel	12/14 (2) AWG, 4/2.5 (2) mm <sup>2</sup>	Elevator	10	<b>D3PAL11</b> <sup>①</sup>
	None	300/600	15/5	DIN rail/panel	12/14 (2) AWG, 4/2.5 (2) mm <sup>2</sup>	Screw clamping	10	<b>D3PA3</b>
Metal spring clip	—	—	—	—	—	—	25	<b>PQC-1332</b>
	—	—	—	—	—	—	10	<b>PQC-1351</b>
Protection diode	A	6 to 250 Vdc	—	—	—	—	20	<b>MOD-AD250</b>
LED indicator	A	24 Vac/Vdc	—	—	—	—	20	<b>MOD-ALG24</b>
	A	120/240 Vac/Vdc	—	—	—	—	20	<b>MOD-ALG240</b>
MOV suppressor	A	120 Vac/Vdc	—	—	—	—	20	<b>MOD-AMV120</b>
	A	24 Vac/Vdc	—	—	—	—	20	<b>MOD-AMV24</b>
	A	240 Vac/Vdc	—	—	—	—	20	<b>MOD-AMV240</b>
R/C suppressor	A	6 to 24 Vac/Vdc	—	—	—	—	20	<b>MOD-RC24</b>
	A	110 to 240 Vac/Vdc	—	—	—	—	20	<b>MOD-RC240</b>
Write-on plastic labels	—	—	—	—	—	—	10	<b>PWF-D3D5</b>
Coil bus jumpers	—	—	—	—	—	—	10	<b>D3PJ1</b>
Plastic DIN rail end stop	—	—	—	—	—	—	25	<b>PFP-P</b>

**Note**

<sup>①</sup> Protection category (finger safe), EN 60529: IP20.

## Technical Data and Specifications

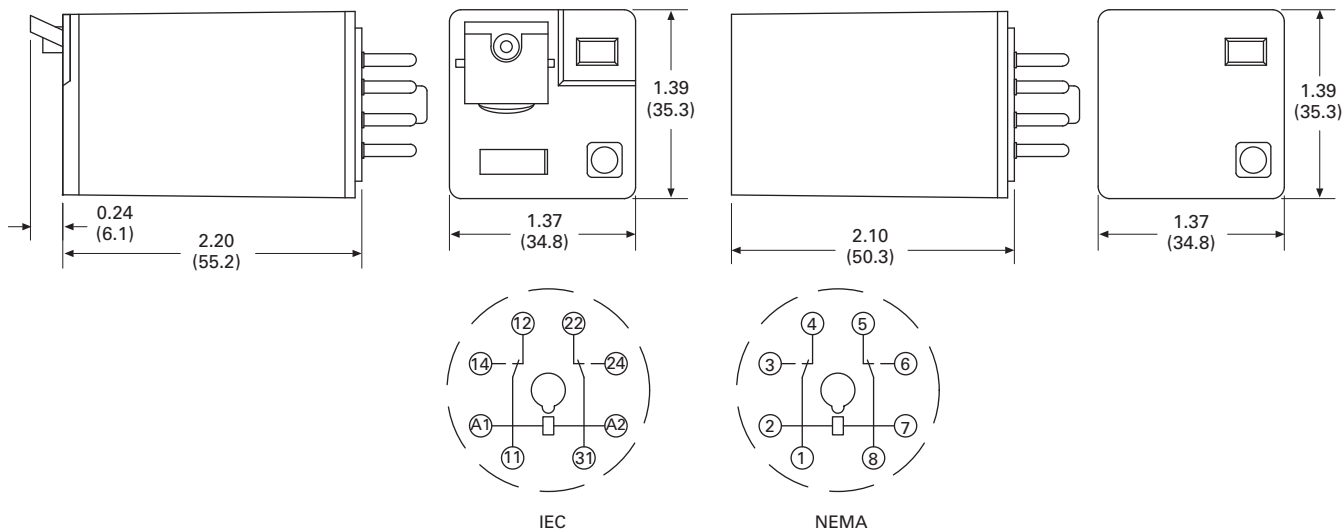
### D3PR/D3PF Series Relay Specifications

Description	D3PR	D3PF	D3PR5 (Latching)
<b>Contact Characteristics</b>			
Contact rating	16A	16A	16A
Terminal style	Octal	Octal	11-pin octal
Contact materials	Silver alloy	Silver alloy	Silver alloy
Maximum switching voltage	300V	300V	300V
Switching current at voltage—resistive	16A at 277 Vac 50/60 Hz	16A at 277 Vac 50/60 Hz	16A at 277 Vac 50/60 Hz
	16A at 120 Vac 50/60 Hz	16A at 120 Vac 50/60 Hz	—
	16A at 28 Vdc	16A at 28 Vdc	16A at 28 Vdc
Switching current at voltage	1/2 hp at 240 Vac	1/2 hp at 240 Vac	1/2 hp at 240 Vac
	1/3 hp at 120 Vac	1/3 hp at 120 Vac	1/3 hp at 120 Vac
Pilot duty	B300	B300	B300
Minimum switching requirement	100 mA at 5 Vdc (0.5W)	100 mA at 5 Vdc (0.5W)	100 mA at 5 Vdc (0.5W)
<b>Coil Characteristics</b>			
Operating range			
% of nominal (AC)	85 to 110%	85 to 110%	85 to 110%
% of nominal (DC)	80 to 110%	80 to 110%	80 to 110%
Average consumption	3 VA	3 VA	2 VA
	1.4W	1.4W	1.64W
Dropout voltage threshold	15% (AC)	15% (AC)	15% (AC)
	10% (DC)	10% (DC)	10% (DC)
<b>Performance</b>			
Electrical life (UL 508) operations at rated current	100,000 operations	100,000 operations	100,000 operations
Mechanical life operations unpowered	5,000,000 operations	5,000,000 operations	10,000,000 operations
Response time	20 ms	20 ms	30 ms
Dielectric strength			
Between coil and contact Vac (rms)	1500V (rms)	1500V (rms)	2500V (rms)
Between poles Vac (rms)	1500V (rms)	1500V (rms)	1500V (rms)
<b>Environment</b>			
Ambient air temperature around the device			
Storage	−40° to 185°F (−40° to 85°C)	−40° to 185°F (−40° to 85°C)	−40° to 185°F (−40° to 85°C)
Operation	−40° to 131°F (−40° to 55°C)	−40° to 131°F (−40° to 55°C)	−40° to 131°F (−40° to 55°C)
Vibration resistance—operational	3 g-n at 10–55 Hz	3 g-n at 10–55 Hz	3 g-n at 10–55 Hz
Shock resistance	10 g-n	10 g-n	10 g-n
Degree of protection	IP40	IP40	IP40
<b>Features</b>			
Cover options	Plain cover	Full Featured	Latching
Features	Mechanical flag indicator	Bipolar LED/ Locking pushbutton/ Removable ID tag/ Mechanical flag indicator	—
Product certifications	RoHS/UL/CE/CSA	RoHS/UL/CE/CSA	RoHS/UL/UR

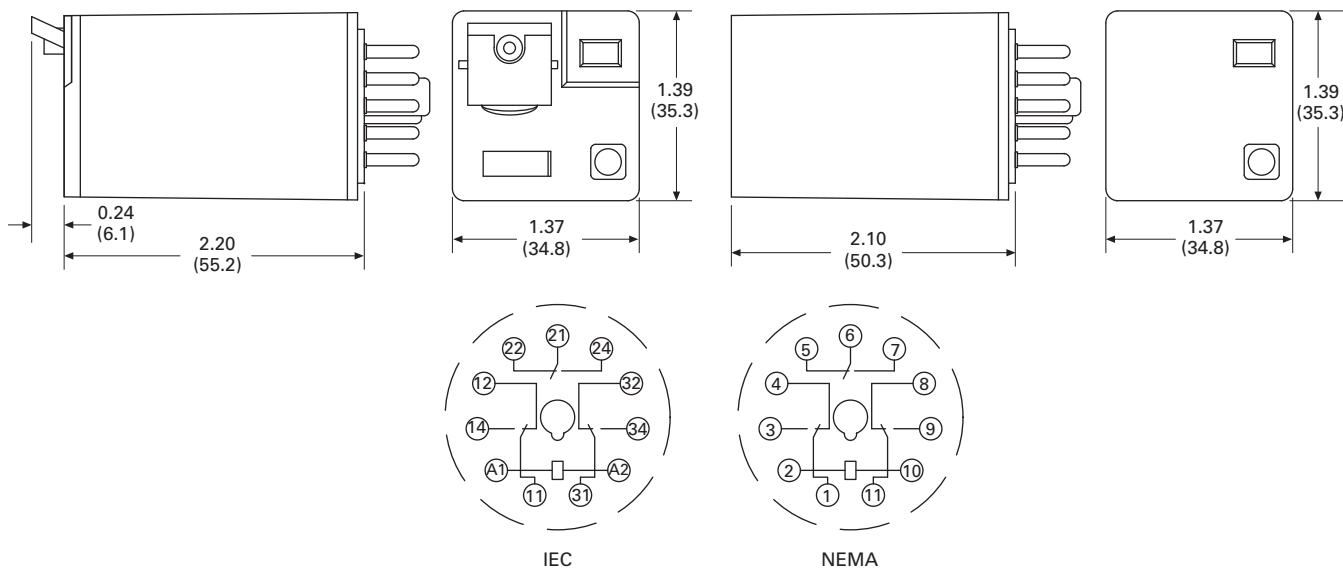
### Dimensions

Approximate Dimensions in Inches (mm)

#### D3PR2/D3PF2



#### D3PR3/D3PF3



# 3.4

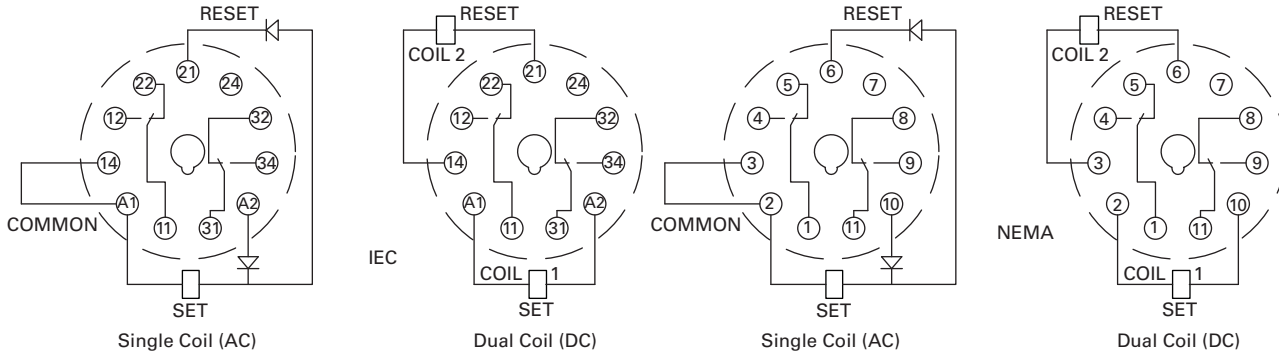
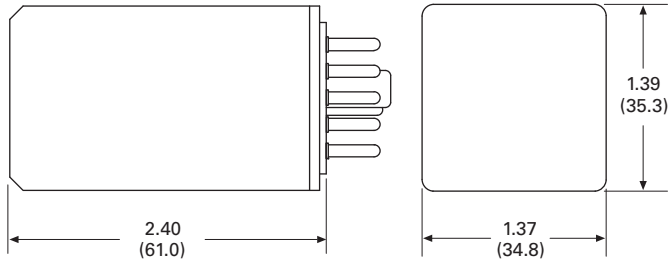
## Control Relays and Timers

### General Purpose Plug-In Relays

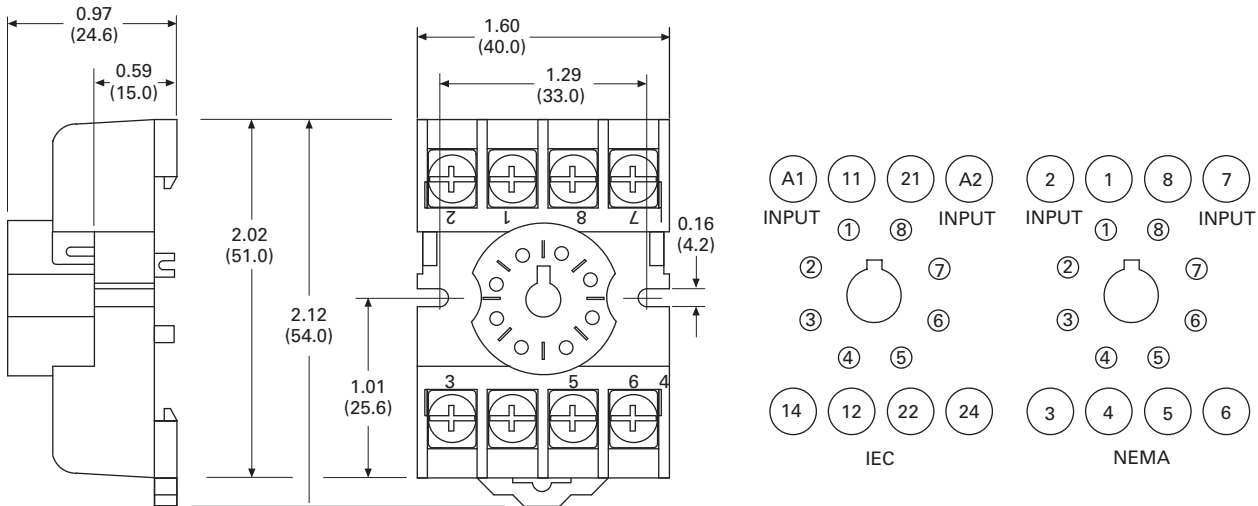
Approximate Dimensions in Inches (mm)

#### D3PR5—Octal Base Latching Relay

3

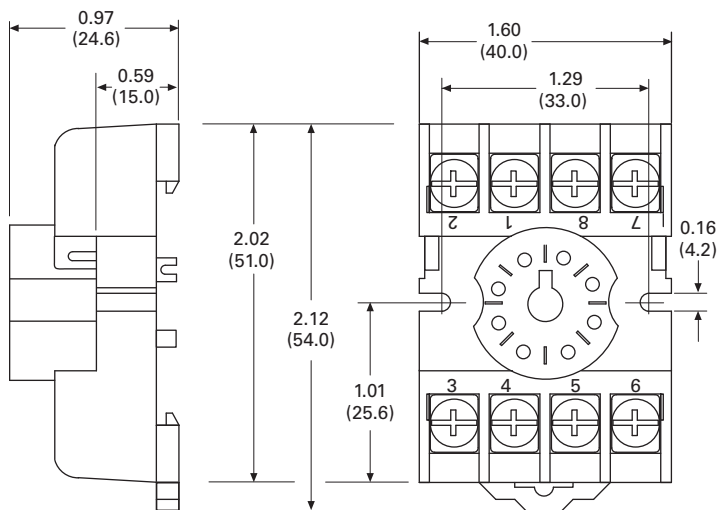
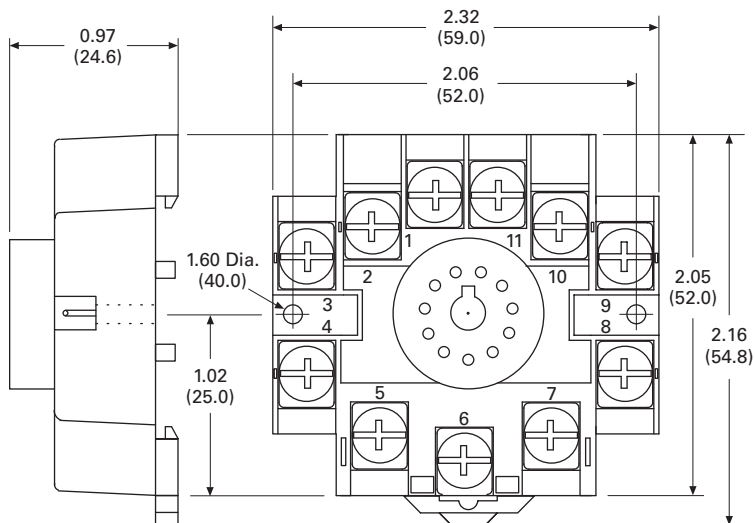


#### D3PA2



Approximate Dimensions in Inches (mm)

### D3PA3





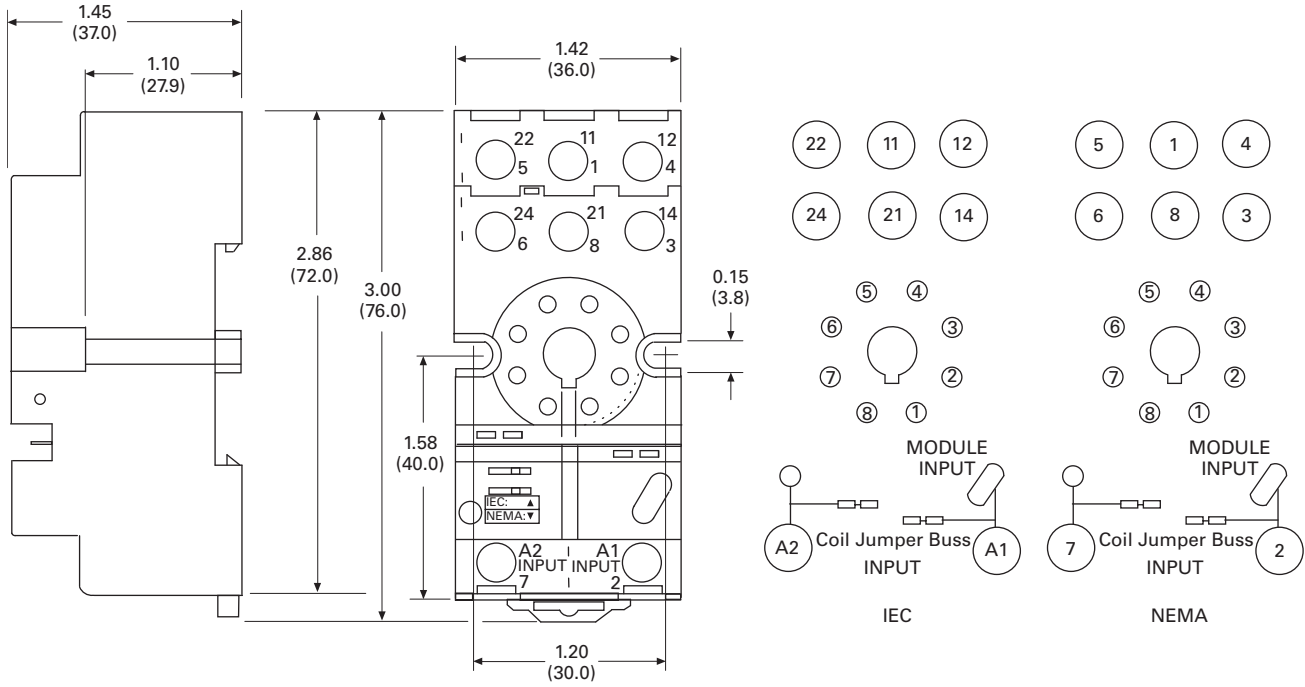
# 3.4

## Control Relays and Timers

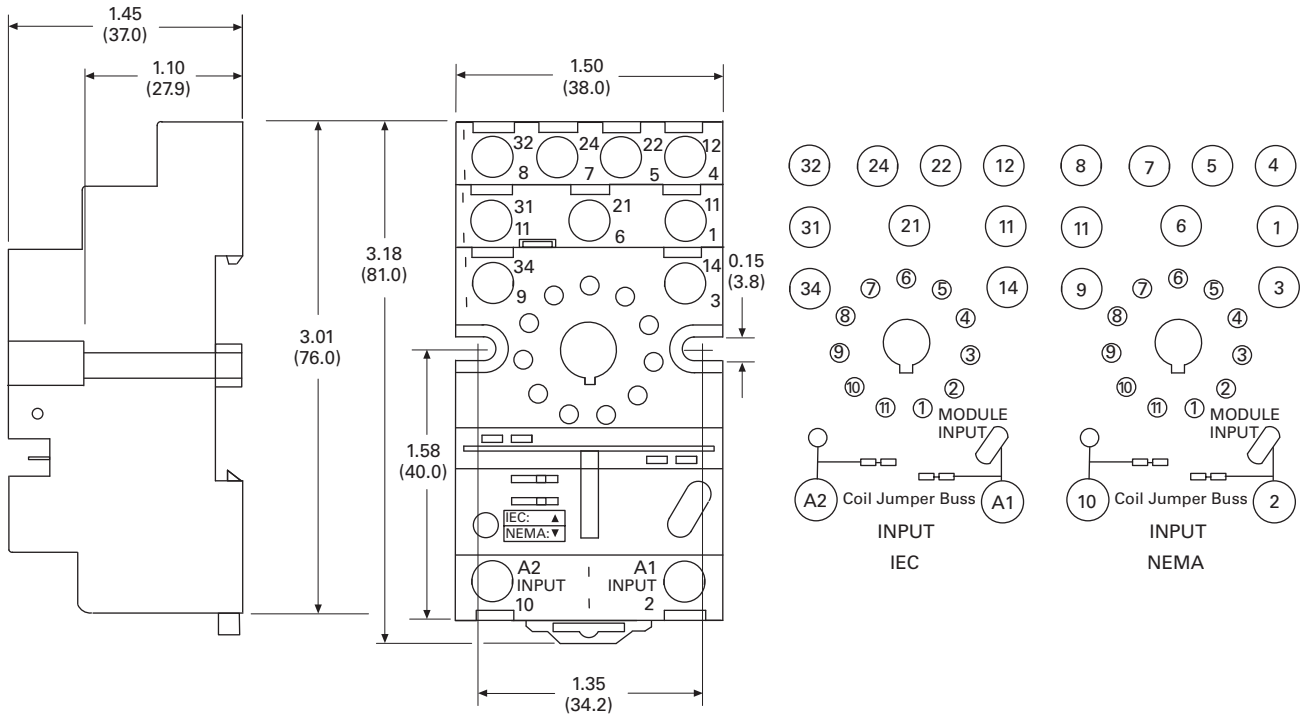
### General Purpose Plug-In Relays

Approximate Dimensions in Inches (mm)

#### D3PA6

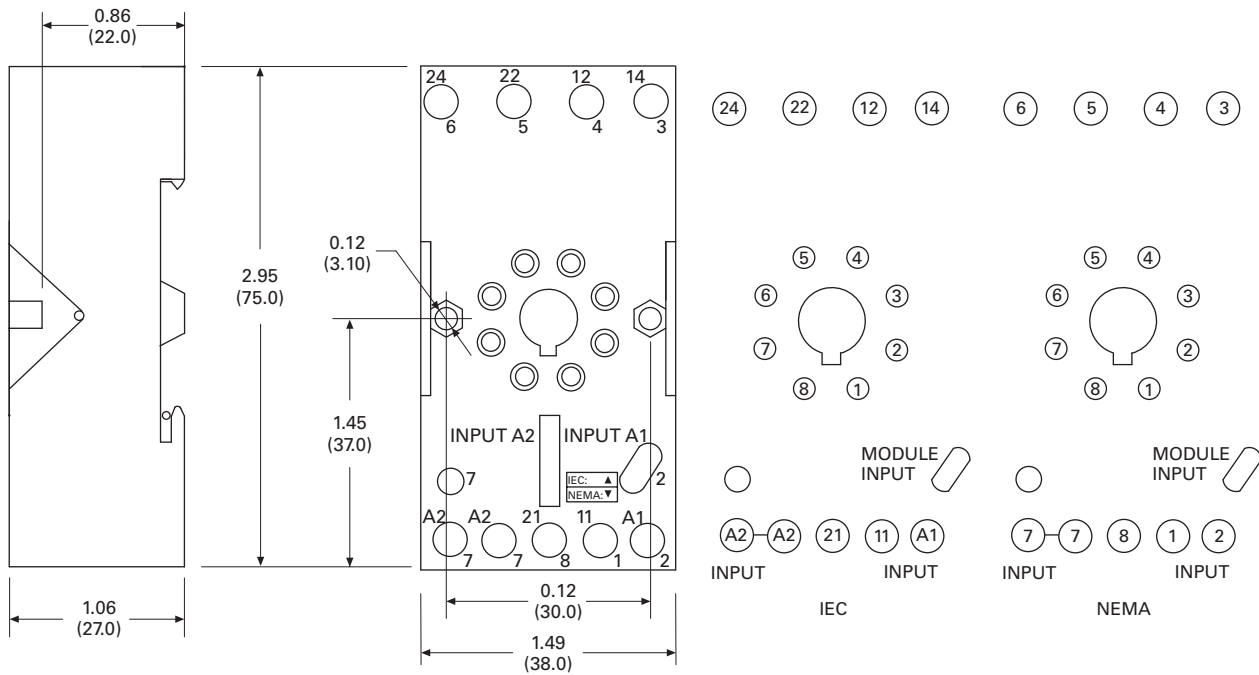


#### D3PA7



Approximate Dimensions in Inches (mm)

### D3PAL8



### D3PAL11

