

# 6.1

## Pushbuttons

AC Rated

AC Rated



6

### Contents

#### Description

	<i>Page</i>
AC Rated	
Product Selection .....	<b>V11-T6-3</b>
Technical Data and Specifications .....	<b>V11-T6-4</b>
Dimensions .....	<b>V11-T6-5</b>

### Product Description

These general-purpose, AC rated, pushbutton switches offer a wide variety of configurations, button styles and termination types. The 7835 and 7836 light-duty series pushbutton switches are AC only. They feature slow-make/slow-break butt-type contacts with a light operating pressure that is particularly suited to instrumentation applications.

### Features

- Circuits
  - 1PST, 1PDT, 2PDT
  - Momentary action
- Terminal Types
  - Screw terminals, brass (furnished unassembled)
  - 8448 Series
    - #6-32 x 3/16 in binding head screws **(Cat. No. 811-2)**
  - 8410/8411 Series
    - #5-40 x 3/16 in **(Cat. No. 811-7206)**
  - 8406/8440 Series
    - #5-40 x 5/32 in screws **(Cat. No. 11-26)**
  - Solder lug, brass silver-plated
- Hardware supplied
  - One hexagon locknut **(Cat. No. 15-192)** and one bright nickel-plated knurled facenut **(Cat. No. 15-124F1)**
  - 8411/8418 Series has a bright nickel-plated hexagon facenut **(Cat. No. 15-966-2)**
  - All hardware is furnished unassembled
  - Other mounting types are flush, nest and snap-in

### Standards and Certifications<sup>①</sup>

- UL<sup>®</sup> Recognized
- CSA<sup>®</sup> Certified
- RoHS<sup>②</sup>



#### Notes

- ① Except where noted.
- ② Visit [www.eaton.com/vcbu](http://www.eaton.com/vcbu) for the most up-to-date list of verified part numbers.

**Product Selection**

**Non-Illuminated**

**Light-Duty, Momentary Contact**

**Flush**



**Flush Mounted**

Rating	Poles and Throw	Contacts	Circuit Number <sup>①</sup>	Button Construction	Color	Button Extension Dimensions "B" in Inches (mm)	Typical Max. Operating Force	Mounting or Bushing Length Dimensions "A" in Inches (mm)	Catalog Number
<b>Screw Terminals</b>									
1/4 A, 250 Vac/Vdc	1PST	NC	A	Nylon	Black	0.468 (11.89)	0.7 lbs <sup>③</sup>	Flush	<b>8406K1</b>
3/4 A, 125 Vac/Vdc						0.453 (11.50)	0.7 lbs <sup>③</sup>	Flush	<b>8410K1</b>

**Snap-in**



**Snap-in Mounted**

Rating	Poles and Throw	Contacts	Circuit Number <sup>①</sup>	Button Construction	Color	Button Extension Dimensions "B" in Inches (mm)	Typical Max. Operating Force	Mounting or Bushing Length Dimensions "A" in Inches (mm)	Catalog Number
<b>Spade Terminals (0.250 in)</b>									
3/4 A, 125 Vac/Vdc	1PST	NC	A	Nylon	White	0.375 (9.53)	—	Snap-in	<b>8423K1</b> <sup>⑤</sup>
1/4 A, 250 Vac/Vdc		NO	A	Nylon	White	0.375 (9.53)	—	Snap-in	<b>8424K1</b> <sup>⑤</sup>

**Bushing**



**Bushing Mounted**

Rating	Poles and Throw	Contacts	Circuit Number <sup>①</sup>	Button Construction	Color	Button Extension Dimensions "B" in Inches (mm)	Typical Max. Operating Force	Mounting or Bushing Length Dimensions "A" in Inches (mm)	Catalog Number
<b>Solder Lugs</b>									
3/4 A, 125 Vac/Vdc	1PST	NC	A	Nylon	Black	0.250 (6.35)	1.5 lbs <sup>③</sup>	0.250 (6.35)	<b>8411K5</b>
1/4 A, 250 Vac/Vdc									
3/4 A, 125 Vac/Vdc	1PST	NC	A	Nylon	Black	0.406 (10.31)	1.5 lbs <sup>③</sup>	0.468 (11.89)	<b>8411K8</b>
1/4 A, 250 Vac/Vdc									
5 A, 12 Vdc,	1PST	NO	A	Metal	—	0.296 (7.52)	2.5 lbs	0.468 (11.89)	<b>8440K2</b> <sup>⑤</sup>
3 A, 125 Vac									
1 A, 250 Vac	1PST	NC	A	Nylon	Black	—	—	0.562 (14.27)	<b>7835K11A</b> <sup>⑥</sup>
1/10 hp, 125 Vac				(snap-on)	Red	—	—	0.562 (14.27)	<b>7835K11D</b>
3 A, 125 Vac	1PST	NO	A	Metal	—	0.312 (7.92)	—	0.562 (14.27)	<b>7836K11A</b> <sup>⑥</sup>
1 A, 250 Vac									
1/10 hp, 125 Vac	1PST	NO	A	Nylon	Black	—	—	0.562 (14.27)	<b>7836K11C</b> <sup>⑥</sup>
				(snap-on)	Red	—	—	0.562 (14.27)	<b>7836K11D</b> <sup>⑥</sup>
<b>Screw Terminals</b>									
3/4 A, 125 Vac/Vdc	1PST	NC	A	Nylon	Black	0.406 (10.31)	1.5 lbs <sup>③</sup>	0.468 (11.89)	<b>8411K7</b>
1/4 A, 250 Vac/Vdc		NO				0.375 (9.53)	1.5 lbs <sup>④</sup>	0.468 (11.89)	<b>8411K12</b>
5 A, 12 Vdc,	1PST	NO	A	Metal	—	0.296 (7.52)	2.5 lbs	0.468 (11.89)	<b>8440K3</b> <sup>⑤</sup>
3 A, 125 Vac									
1 A, 250 Vac	1PST	NO	A	Metal	—	0.312 (7.92)	—	0.562 (14.27)	<b>7836K13A</b>
1/10 hp, 125 Vac									
<b>Wire Leads <sup>⑦</sup></b>									
3/4 A, 125 Vac	1PST	NC	A	Metal	—	0.312 (7.92)	—	0.562 (14.27)	<b>7835K12A</b>
1 A, 250 Vac									
1/10 hp, 125 Vac	1PST	NO	A	Metal	—	0.312 (7.92)	—	0.562 (14.27)	<b>7836K12A</b>
<b>Spade Terminals (0.250 in)</b>									
1/4 A, 250 Vac/Vdc	1PST	NO	A	Nylon	Red	0.250 (6.35)	1.5 lbs <sup>④</sup>	0.250 (6.35)	<b>8411K13</b> <sup>⑤</sup>
3/4 A, 125 Vac/Vdc	1PST	NC	A	Nylon	Black	0.406 (10.31)	1.5 lbs <sup>③</sup>	0.468 (11.89)	<b>8411K10</b>
		NO				0.375 (9.53)	1.5 lbs <sup>④</sup>	0.468 (11.89)	<b>8411K11</b> <sup>⑤</sup>
3 A, 125 Vac	1PST	NC	A	Nylon	Black	0.250 (6.35)	1.5 lbs	0.250 (6.35)	<b>8418K1</b> <sup>⑤</sup>
		NO				0.406 (10.31)	1.5 lbs	0.468 (11.89)	<b>8418K12</b> <sup>⑤</sup>

**Notes**

- ① For circuit number detail, see table on **Page V11-T6-18**.
- ② UL and CSA Listing not applicable.
- ③ To change operating pressure, refer to your local Eaton Sales Representative.
- ④ Operating pressure cannot be changed.
- ⑤ Combination spade and solder lug terminal.
- ⑥ Items are normally in distributor stock.
- ⑦ Standard length is 6 in (152.40 mm), stripped 0.625 in (15.88 mm).

# 6.1

## Pushbuttons

AC Rated

### Non-Illuminated

#### Medium-Duty, Momentary Contact

##### One-Hole

##### One-Hole Mounted



6

Rating	Poles and Throw	Contacts	Circuit Number <sup>①</sup>	Button Construction	Color	Button Extension Dimensions "B" in Inches (mm)	Typical Max. Operating Force	Mounting or Bushing Length Dimensions "A" in Inches (mm)	Catalog Number
<b>Screw Terminals</b>									
15 A, 125 Vac 10 A, 250 Vac 1/3 hp, 125–250 Vac	1PST	NO	A	Metal	—	0.531 (13.49)	0.9 lbs	0.687 (17.45)	<b>8444K3</b>
15 A, 125 Vac, NO 10 A, 125 Vac, NC 10 A, 250 Vac, NO 5 A, 250 Vac, NC 1/2 hp, 250 Vac 1/4 hp, 125 Vac	1PDT	NO, NC	B	Metal	—	0.531 (13.49)	2.0 lbs	0.687 (17.45)	<b>8434K2</b>
15 A, 125 Vac 10 A, 250 Vac	2PST	NO	C	Metal	—	0.250 (6.35)	—	0.343 (8.71)	<b>8448K2</b> <sup>②</sup>
<b>Spade Terminals (0.250 in)</b>									
15 A, 125 Vac 10 A, 250 Vac 1/3 hp, 125–250 Vac	1PST	NO	A	Metal	—	0.531 (13.49)	0.9 lbs	0.687 (17.45)	<b>8444K2</b>
15 A, 125 Vac, NO 10 A, 125 Vac, NC 10 A, 250 Vac, NO 5 A, 250 Vac, NC 1/2 hp, 250 Vac 1/4 hp, 125 Vac	1PDT	NO, NC	B	Metal	—	0.531 (13.49)	2.0 lbs	0.687 (17.45)	<b>8434K1</b>
15 A, 125 Vac 10 A, 250 Vac	2PST	NO	C	Metal	—	0.250 (6.35)	—	0.343 (8.71)	<b>8448K1</b> <sup>②</sup>

## Technical Data and Specifications

### AC Rated

Description	Specification
Ratings	See Product Selection tables on <b>Page V11-T6-3</b> and the table above.
Contact material	
3–6 A rated	Movable, silver-plated copper Stationary, silver-plated copper
10–15 A rated	Movable, silver-plated copper with fine or coin silver contact face button Stationary, copper with fine or coin silver contact face button
Wire leads	18 gauge, 6 in (152 mm) long, skinned 0.75 in (19 mm) Lengths beyond 6 in (152 mm) are additional charge
Mounting means—One-hole mount	Threaded bushing—0.468 in dia. 32 threads/inch (11.90 mm) Keyway—0.068 W x 0.035 D in (1.73 W x 0.89 D mm); provides anti-rotation feature Keyway on 7835/7836 Series is 0.080 W x 0.040 D in (2.03 W x 1.01 D mm)
Operating temperature range	0 °F to 150 °F (–17.8 °C to 65.6 °C)

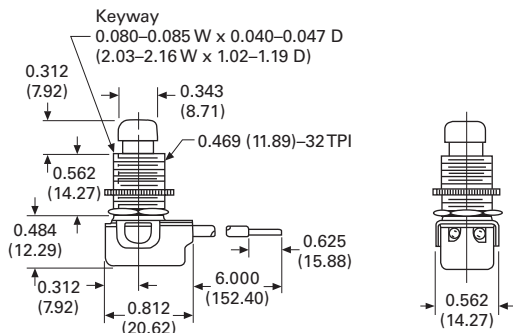
#### Notes

- ① For circuit number detail, see table on **Page V11-T6-18**.
- ② UL and CSA Listing not applicable.

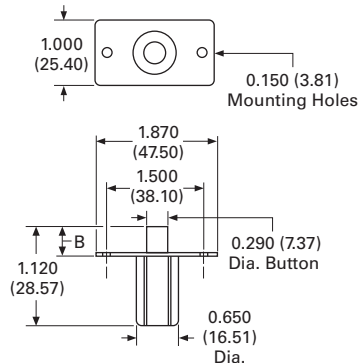
**Dimensions**

Approximate Dimensions in Inches (mm)

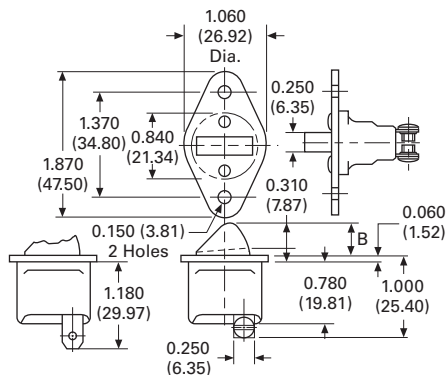
**7835K12A**



**8410**

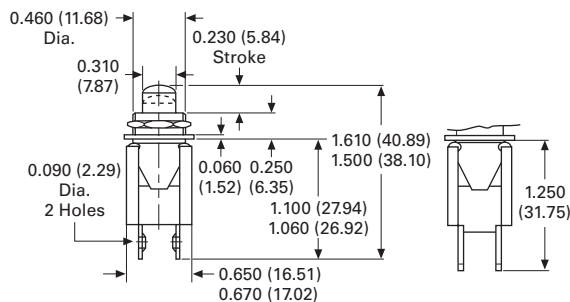


**8406**

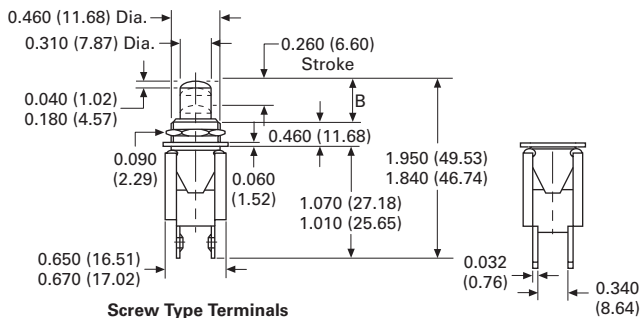


Spade Terminal      Screw Type Terminal

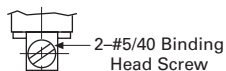
**8411K5 and 8411K13**



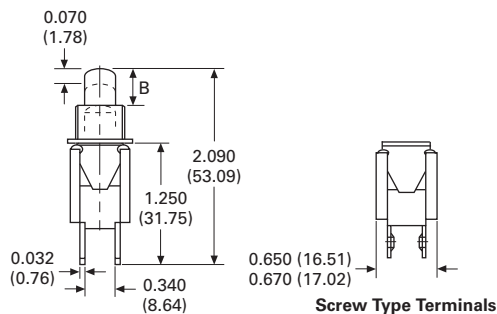
**8411K7 and 8411K8**



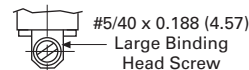
Screw Type Terminals



**8411K11 and 8411K12**



Screw Type Terminals



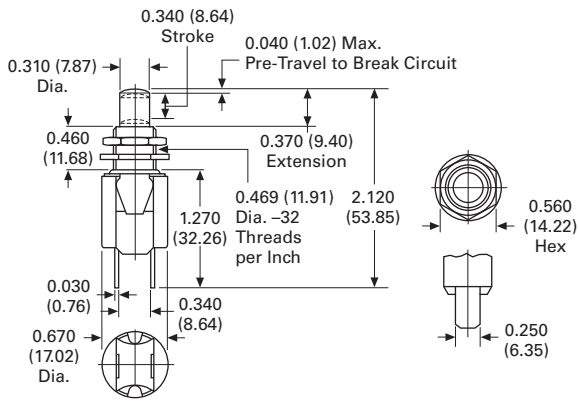
# 6.1

## Pushbuttons

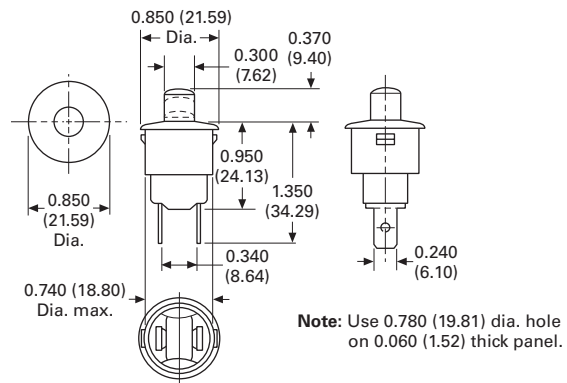
AC Rated

Approximate Dimensions in Inches (mm)

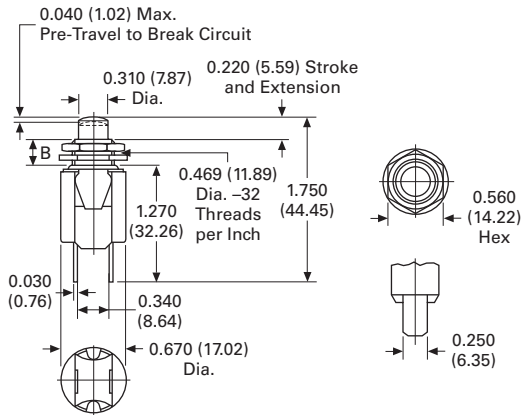
### 8411K10 and 8418K12



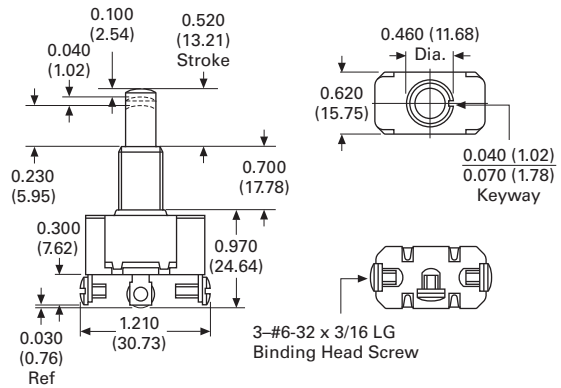
### 8423 and 8424



### 8418K1

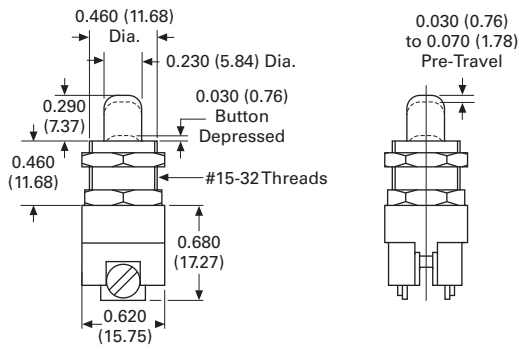


### 8434K2 and 8435K2

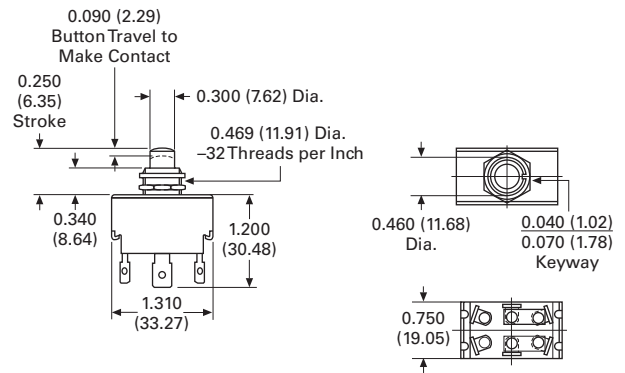


Approximate Dimensions in Inches (mm)

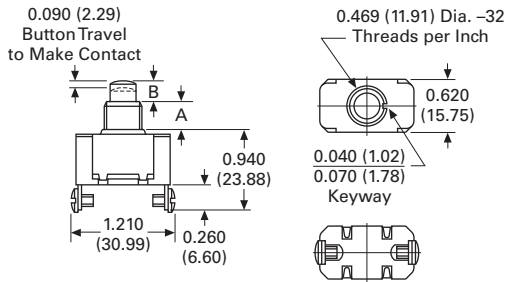
**8440**



**8448K1**



**8442 and 8444 (Screw Terminals)**



**8448K2**

