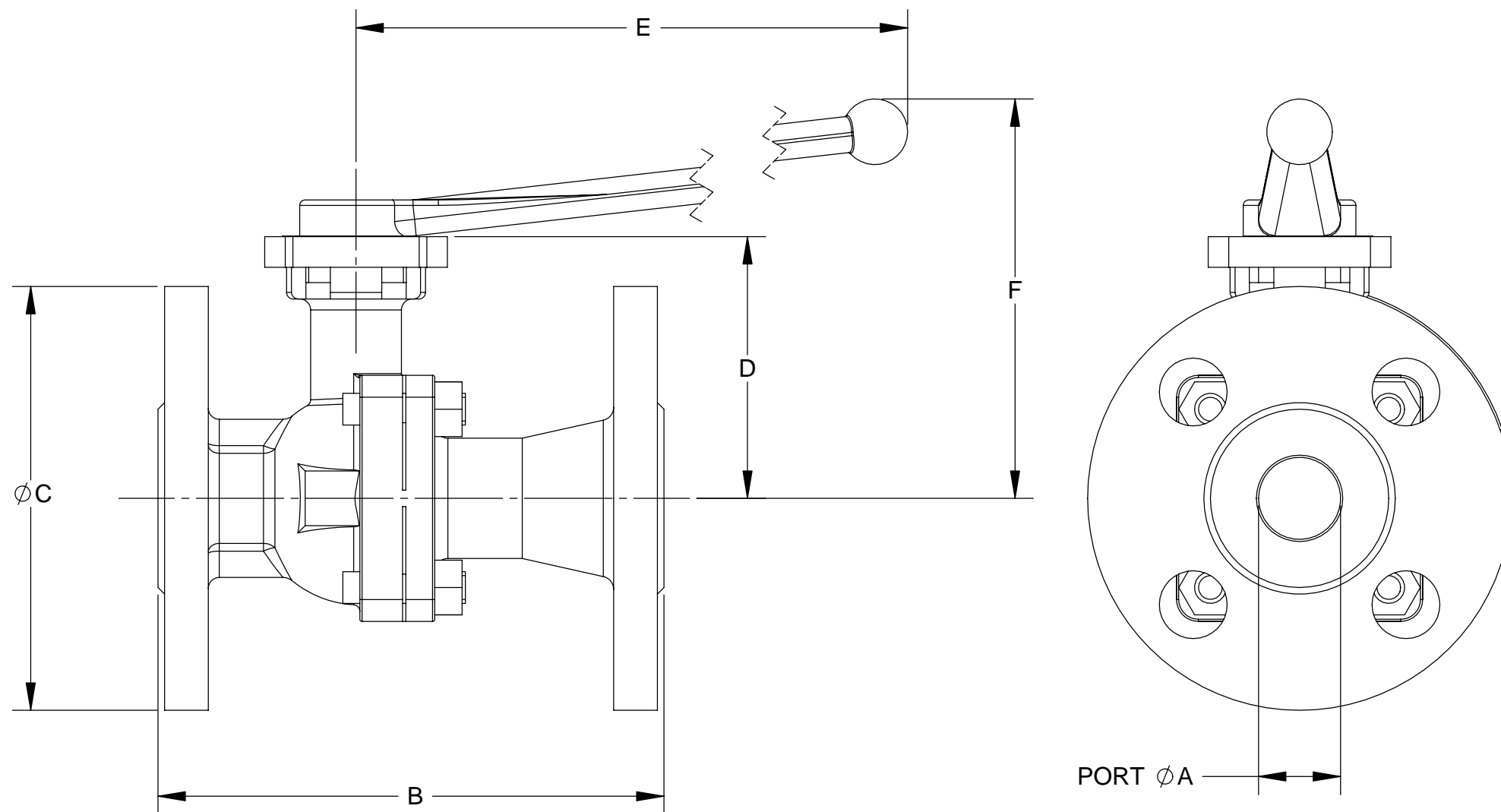


VALVE DATA	
BODY & CAP	316 SS
BALL	316 SS
STEM	316 SS
SEATS	RTFE
SEALS	PTFE - VITON



MODEL NO.	DIMENSIONS								MOUNTING HOLES			
	A	B	C	D	E	F	G	H	J	K	L	M
VHS2.EJ 1/2	0.59	4.25	3.50	2.03	7.48	2.95	.35	.27	0.11	1.42	0.11	1.65
VHS2.EJ 3/4	0.79	4.63	3.88	2.17	7.48	3.15	.35	.27	0.11	1.42	0.11	1.65
VHS2.EJ 1	0.94	5.00	4.25	2.28	7.48	3.35	.43	.32	0.11	1.65	0.14	1.97
VHS2.EJ 1 1/4	1.18	5.50	4.62	2.44	7.48	3.50	.43	.32	0.11	1.65	0.14	1.97
VHS2.EJ 1 1/2	1.50	6.50	5.00	2.99	8.07	4.06	.55	.52	.14	1.97	.14	2.76
VHS2.EJ 2	1.97	7.00	6.00	3.33	8.07	4.40	.55	.52	.14	1.97	.14	2.76
VHS2.EJ 2 1/2	2.52	7.50	7.00	4.11	13.8	6.00	.67	.73	.21	2.76	.23	4.02
VHS2.EJ 3	2.99	8.00	7.50	4.39	13.8	6.40	.67	.73	.21	2.76	.23	4.02
VHS2.EJ 4	3.94	9.00	9.00	5.33	13.8	7.50	.87	.88	.23	4.02	.27	4.92

UNCONTROLLED DRAWING

THIS PRINT IS THE PROPERTY OF DYNAQUIP CONTROLS AND SHALL NOT BE COPIED, REPRODUCED, LOANED, OR DISPOSED OF DIRECTLY OR INDIRECTLY, NOR USED FOR ANY PURPOSE OTHER THAN THAT FOR WHICH IT IS SPECIFICALLY FURNISHED EXCEPT BY WRITTEN PERMISSION OF DYNAQUIP CONTROLS.

NO.	VHS SERIES		FILE NO.	SUB208	DO NOT SCALE
TITLE	BALL VALVE 316 STAINLESS STEEL FULL PORT - 150 ANSI FLANGE				
DR	DATE	CH'KD	DATE	ENGR	DATE
CMO	02-27-07	CMO	03-08-07	CMO	03-08-07

