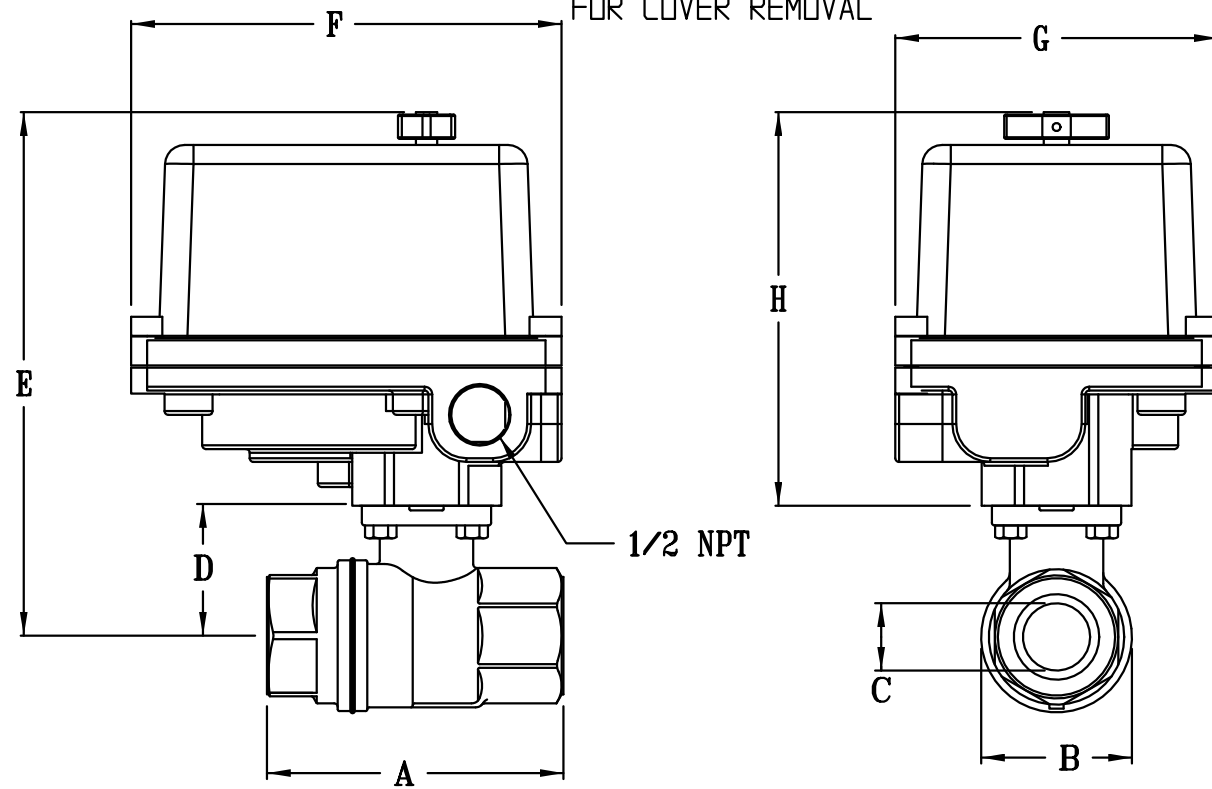


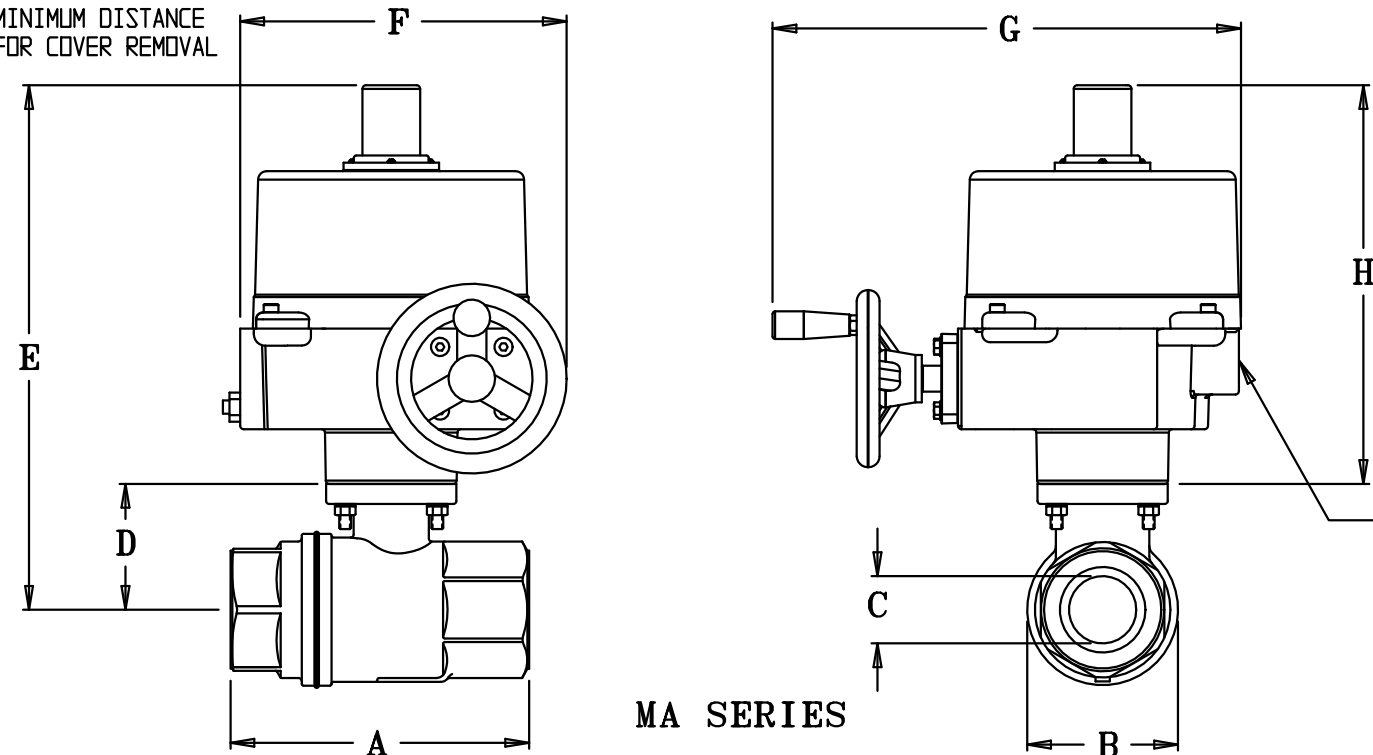
3.00 ABOVE SHAFT  
MINIMUM DISTANCE  
FOR COVER REMOVAL



DE SERIES

MODEL	EHH23ATE20	EHH24ATE20	EHH25ATE20	EHH26ATE25	EHH27ATE25	EHH28ATE25	EHH2AATE01	EHH2BATE01
VALVE	1/2 NPT	3/4 NPT	1 NPT	1 1/4 NPT	1 1/2 NPT	2 NPT	3 NPT	4 NPT
C <sub>v</sub>	19	34	52	77	143	205	780	1350
TEMP	-20°/370°F	-20°/370°F	-20°/370°F	-20°/370°F	-20°/370°F	-20°/370°F	-20°/370°F	-20°/370°F
CWP	600 PSI	600 PSI	600 PSI	600 PSI	600 PSI	600 PSI	600 PSI	600 PSI
A	2.60	2.93	3.56	4.09	4.60	5.31	6.89	8.03
B	1.34	1.72	2.06	2.56	3.12	3.77	5.35	6.53
C	0.59	0.79	0.98	1.26	1.57	1.97	3.00	3.74
D	1.22	1.52	1.67	2.18	2.44	2.71	3.85	4.59
E	6.40	6.70	6.85	7.36	7.62	7.89	13.89	14.63
F	5.66	5.66	5.66	5.66	5.66	5.66	7.87	7.87
G	4.24	4.24	4.24	4.24	4.24	4.24	13.00	13.00
H	5.18	5.18	5.18	5.18	5.18	5.18	10.04	10.04
ACTUATOR	DE153	DE153	DE153	DE305	DE305	DE305	MA7	MA7
CYCLE	2.5 SEC.	2.5 SEC.	2.5 SEC.	6.0 SEC.	6.0 SEC.	6.0 SEC.	15 SEC.	15 SEC.
MAX ΔP	300 PSI	300 PSI	300 PSI	300 PSI	300 PSI	300 PSI	300 PSI	300 PSI
AMBIENT TEMP °F	-40° 150°F	-40° 150°F	-40° 150°F	-40° 150°F	-40° 150°F	-40° 150°F	10° 140° F	10° 140° F
WT. LBS	4.70	5.01	5.81	6.94	8.27	11.01	33.29	41.54

5.65 ABOVE SHAFT  
MINIMUM DISTANCE  
FOR COVER REMOVAL



MA SERIES

NOTE: SIZED FOR CLEAN WATER, AIR  
OR OIL. OTHER APPLICATIONS MAY  
REQUIRE LARGER ACTUATORS.  
PLEASE CONSULT FACTORY.

VALVE MATERIALS

BODY/END CAP	FORGED BRASS
STEM	NICKEL PLATED BRASS (2" STAINLESS STEEL)
BALL	CHROME PLATED BRASS
SEATS	RTFE
THRUSTWASHER	RTFE
STEM SEAL	VITON ORINGS

UNCONTROLLED  
DRAWING

THIS PRINT IS THE PROPERTY  
OF DYNAQUIP CONTROLS AND  
SHALL NOT BE COPIED,  
REPRODUCED, LOANED,  
OR DISPOSED OF DIRECTLY  
OR INDIRECTLY, NOR USED  
FOR ANY PURPOSE OTHER THAN  
THAT FOR WHICH IT IS  
SPECIFICALLY FURNISHED  
EXCEPT BY WRITTEN  
PERMISSION OF  
DYNAQUIP CONTROLS.

NO. EHH2 SERIES

FILE NO.  
SUB123.1

TITLE

BALL VALVE  
BRASS - FULL PORT - NPT  
DE ELECTRIC ACTUATOR

DR	DATE	CH'KD	DATE	ENGR	DATE
MJP	08-27-09	MJP	08-27-09	MJP	08-27-09

