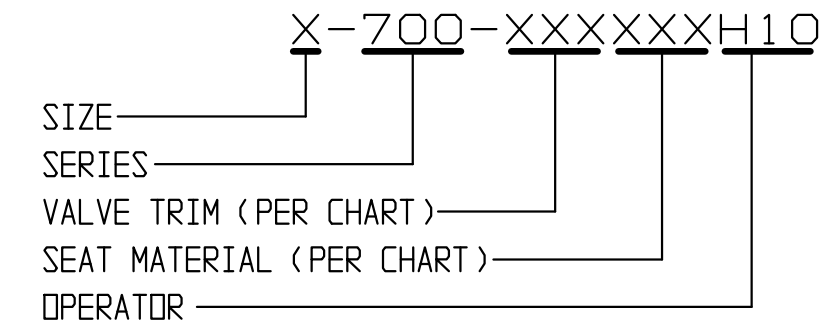
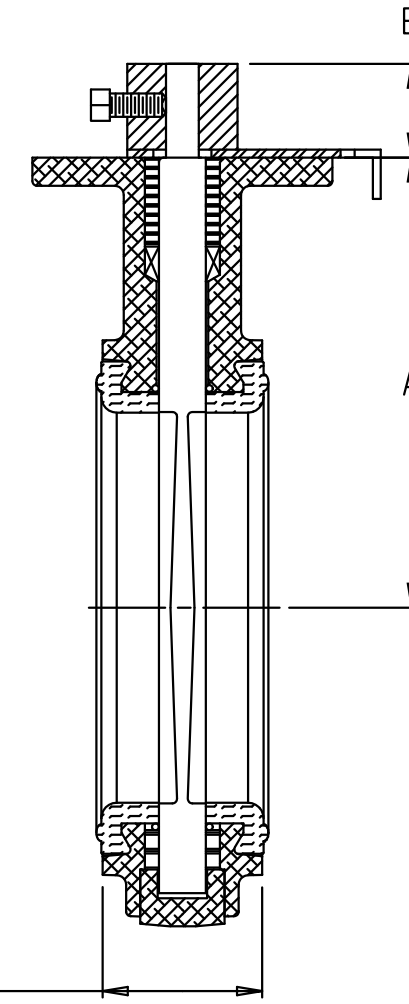


VALVE TRIM			
CODE	BODY	DISC	STEM
185	DUCTILE IRON	ALUMINUM BRONZE	416 SS
182	DUCTILE IRON	DUCTILE IRON, NICKEL PLATE	416 SS
822	DUCTILE IRON	316 SS	416 SS

SEAT TRIM		
CODE	SEAT MATERIAL	COLOR
650	TFE/VITON	WHITE
515	EPDM	BLACK
540	VITON	BLACK
570	BLUNA-N	BLACK



SIZE	A	B	C	D	E	F	WT. LBS
2	6.36	1.26	1.77	4.75	4-0.75	10.51	5.51
2 1/2	6.89	1.26	1.89	5.50	4-0.75	10.51	7.72
3	7.12	1.26	1.93	6.00	4-0.75	10.51	8.82
4	7.87	1.26	2.16	7.50	4-0.75	10.51	12.13
5	8.38	1.26	2.28	8.50	4-0.88	10.51	16.53
6	8.86	1.26	2.32	9.50	4-0.88	10.51	18.74
8	10.23	1.41	2.52	11.75	4-0.88	14.01	29.76
10	11.49	1.41	2.75	14.25	4-1.00	14.01	42.99
12	13.26	1.41	3.15	17.00	4-1.00	14.01	66.14

UNCONTROLLED DRAWING

Data is for general information only, and is subject to change without notice.

NO. 700 SERIES FILE NO. SUB271

TITLE BUTTERFLY VALVE

DR	DATE	CH'KD	DATE	ENGR	DATE
MWS	10-09-13	MWS	10-09-13	MWS	10-09-13

