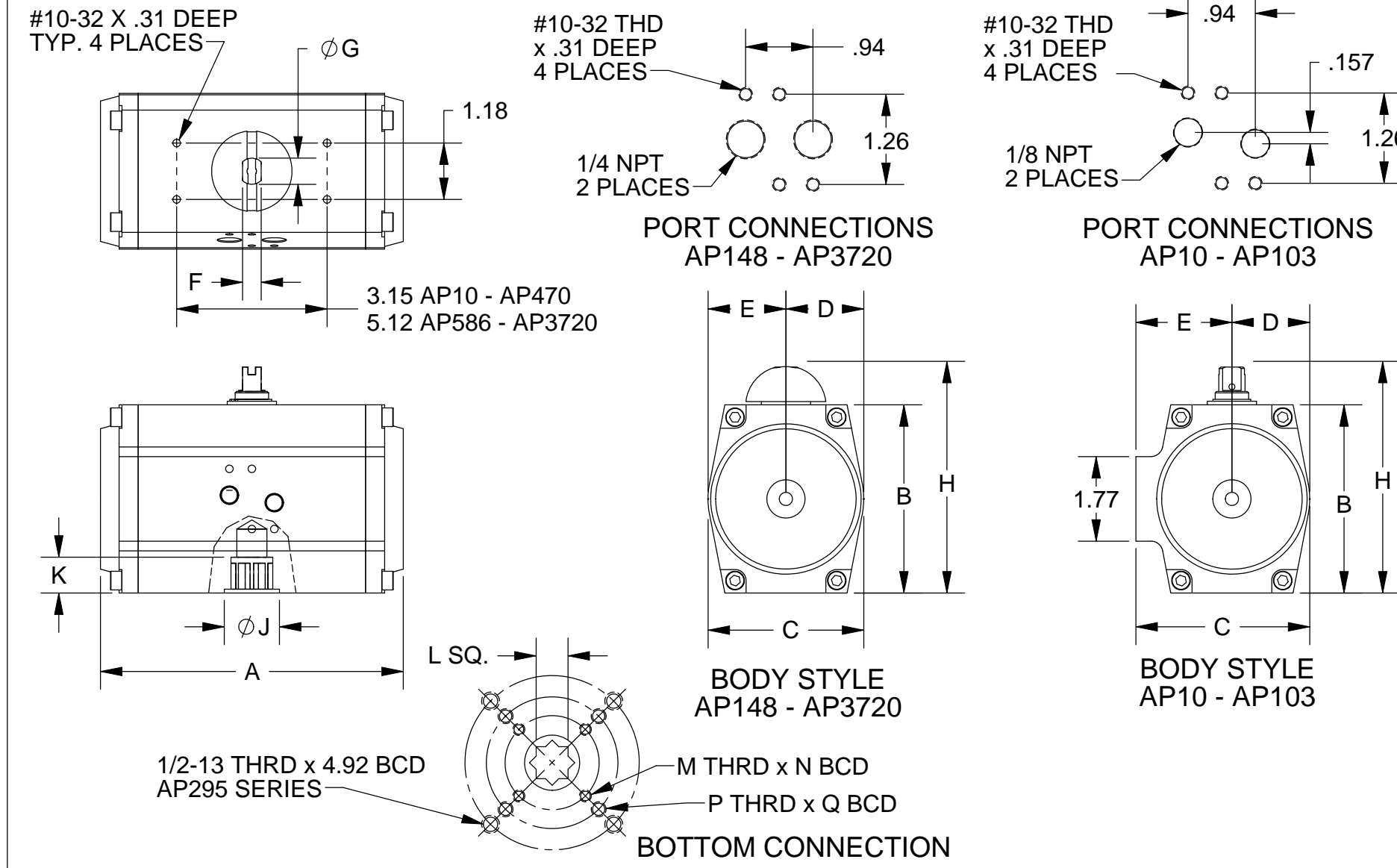


DOUBLE ACTING	SPRING RETURN	A	B	C	D	E	F	G	H	J	K	L	M	N	P	Q	WT. LBS
AP10DA	AP10SR()	4.65	2.60	2.05	1.03	1.58	0.39	0.55	3.35	0.85	0.55	.354	M5	1.42	M6	1.97	1.00
AP14DA	AP14SR()	4.65	2.60	2.05	1.03	1.58	0.39	0.55	3.35	0.85	0.55	.433	10-32	1.65	-----	-----	1.00
AP20DA	AP20SR()	5.24	2.91	2.70	1.16	1.54	0.39	0.55	3.35	0.94	0.71	.551	10-32	1.42	1/4-20	1.97	1.98
AP30DA	AP30SR()	5.39	3.46	3.07	1.32	1.75	0.39	0.55	4.25	1.00	0.71	.551	1/4-20	1.97	5/16-18	2.76	2.98
AP34DA	AP34SR()	5.39	3.46	3.07	1.32	1.75	0.39	0.55	4.25	1.00	0.71	.551	10-32	1.65	5/16-18	2.76	2.98
AP52DA	AP52SR()	6.34	3.94	3.64	1.63	2.01	0.39	0.55	4.73	1.16	0.75	.669	1/4-20	1.97	5/16-18	2.76	4.30
AP73DA	AP73SR()	7.07	4.25	3.92	1.79	2.13	0.39	0.55	5.04	1.27	0.75	.669	1/4-20	1.97	5/16-18	2.76	5.51
AP103DA	AP103SR()	8.23	4.61	4.35	1.99	2.36	0.55	0.79	5.40	1.47	0.75	.669	1/4-20	1.97	5/16-18	2.76	7.39
AP148DA	AP148SR()	8.77	5.51	4.72	2.36	2.36	0.55	0.79	6.30	1.57	0.81	.866	5/16-18	2.76	3/8-16	4.02	10.58
AP222DA	AP222SR()	11.52	5.51	4.72	2.36	2.36	0.79	1.10	6.30	2.07	0.81	.866	5/16-18	2.76	3/8-16	4.02	14.99
AP295DA	AP295SR()	11.75	6.30	5.39	2.70	2.70	0.79	1.10	7.09	2.07	0.83	.866	5/16-18	2.76	3/8-16	4.02	18.74
AP470DA	AP470SR()	13.27	7.80	6.77	3.39	3.39	0.79	1.10	8.59	2.59	0.83	1.063	3/8-16	4.02	1/2-13	4.92	31.00
AP586DA	AP586SR()	14.49	7.80	6.77	3.39	3.39	1.10	1.42	8.98	2.59	0.83	1.063	3/8-16	4.02	1/2-13	4.92	34.40
AP900DA	AP900SR()	16.62	10.00	8.82	4.41	4.41	1.10	1.42	11.18	3.10	1.26	1.417	1/2-13	4.92	5/8-11	6.50	61.50
AP1213DA	AP1213SR()	17.72	10.00	8.82	4.41	4.41	1.26	1.57	11.18	3.10	1.26	1.417	5/8-11	5.51	-----	-----	68.80
AP2366DA	AP2366SR()	23.07	11.89	10.71	5.36	5.36	1.26	1.57	13.07	4.12	1.26	1.811	3/4-10	6.50	-----	-----	132.32
AP2958DA	AP2958SR()	23.07	11.89	10.71	5.36	5.36	1.26	1.57	13.07	5.12	1.26	1.811	3/4-10	6.50	-----	-----	160.97
AP3720DA	AP3720SR()	26.89	14.17	14.17	7.09	7.09	1.26	1.57	15.35	5.12	1.26	1.811	3/4-10	6.50	-----	-----	205.00

"DA" TORQUE RATINGS LBS.-IN.		
ACTUATOR SIZE	AIR IN P.S.I.G.	
	60	80
AP10DA	75	100
AP14DA	75	100
AP20DA	152	203
AP30DA	227	302
AP34DA	227	302
AP52DA	395	526
AP73DA	551	734
AP103DA	774	1032
AP148DA	1109	1479
AP222DA	1664	2218
AP295DA	2219	2958
AP470DA	3106	4142
AP586DA	4399	5865
AP900DA	6825	9100
AP1213DA	9099	12132
AP2366DA	17749	23665
AP2958DA	22186	29581
AP3720DA	27938	37250

"SR" TORQUE RATINGS -- LBS.-IN.							
ACTUATOR SIZE	NO. OF SPG	AIR SUPPLY IN P.S.I.G.				SPRING STROKE	
		60		80		START	END
		END	START	END	START		
AP10SR()	2	18	35	42	60	56	38
AP14SR()	3	--	16	15	40	83	57
AP20SR()	4	36	72	86	122	111	76
	5	6	52	56	102	139	95
	6	--	31	26	81	167	114
AP30SR()	4	64	112	139	187	159	111
AP34SR()	5	24	84	99	159	199	139
	6	--	56	59	131	239	167
AP52SR()	4	80	181	210	311	309	208
	5	3	129	132	259	386	260
	6	--	76	55	206	463	312
AP73SR()	4	145	290	326	471	398	253
	5	45	226	226	407	498	317
	6	---	162	126	343	597	380
AP103SR()	4	227	382	481	636	533	379
	5	93	287	347	541	667	473
	6	---	192	213	446	800	568
AP148SR()	4	277	571	641	935	814	521
	5	73	440	437	804	1018	651
	6	---	309	232	673	1221	781
AP222SR()	4	407	729	936	1259	1101	800
	5	84	495	614	1025	1376	1000
	6	---	253	281	783	1651	1200
AP295SR()	4	554	1150	1282	1878	1629	1033
	5	147	892	847	1620	2036	1291
	6	---	634	467	1361	1443	1549
AP470SR()	4	840	1743	1876	2779	2266	1363
	5	273	1402	1309	2438	2832	1704
	6	---	1061	742	2097	3398	2044
AP586SR()	4	1245	2224	2688	3667	3083	2104
	5	473	1698	1916	3141	3854	2630
	6	---	1171	1145	2614	4625	3156
AP900SR()	4	2214	3478	4453	5717	4501	3238
	5	1088	2668	3327	4907	5627	4047
	6	---	1858	2200	4907	6752	4856
AP1213SR()	4	2952	4636	5937	7621	6001	4317
	5	1451	3556	4436	6541	7501	5397
	6	---	2475	2934	5460	9001	6476
AP2366SR()	4	3798	8319	9621	14142	13665	9145
	5	379	6031	6202	11854	17081	11432
	6	---	3742	2782	9565	20497	13718
AP2958SR()	4	4748	11801	12026	19079	17081	10030
	5	474	9291	7752	16570	21351	12538
	6	---	6781	3477	14059	25621	15045
AP3720SR()	4	12568	18628	22192	28251	16296	10239
	5	8491	16066	18114	25689	20370	12799
	6	4413	13503	14036	23127	24443	15358
	7	333	10940	9957	20564	28517	17918
	8	---	8377	5877	18000	32591	20478



MATERIAL SPECIFICATIONS
 BODY.....ANODIZED ALUMINUM, EPOXY COATED
 PISTON.....DIECAST ALUMINUM ALLOY
 END CAP.....ALUMINUM, EPOXY COATED
 DRIVE SHAFT.....STEEL, NICKEL PLATED
 SEAL, O-RINGS.....BUNA N
 BEARINGS.....DELTRIN
 SCREWS.....304 S.S.
 NUTS.....304 S.S.
 LOADED SPRINGS...STEEL, HIGH ALLOY, EPOXY COATED

UNCONTROLLED DRAWING

THIS PRINT IS THE PROPERTY OF DYNAQUIP CONTROLS AND SHALL NOT BE COPIED, REPRODUCED, LOANED, OR DISPOSED OF DIRECTLY OR INDIRECTLY, NOR USED FOR ANY PURPOSE OTHER THAN THAT FOR WHICH IT IS SPECIFICALLY FURNISHED EXCEPT BY WRITTEN PERMISSION OF DYNAQUIP CONTROLS.

NO. AP - ACTUATOR		FILE NO. SUB004.1	DO NOT SCALE
PNEUMATIC ACTUATOR AP SERIES			
DR MJP	DATE 07-12-11	CH'KD MJP	DATE 07-12-11
ENGR MJP	DATE 07-12-11		