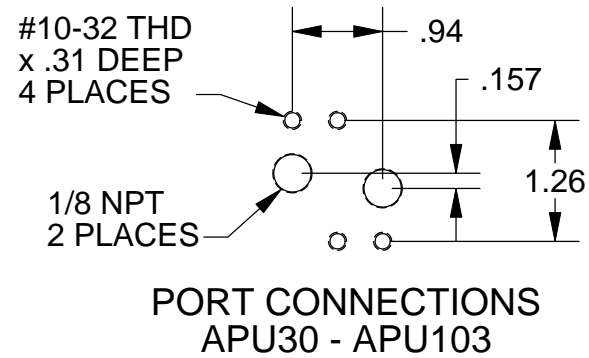
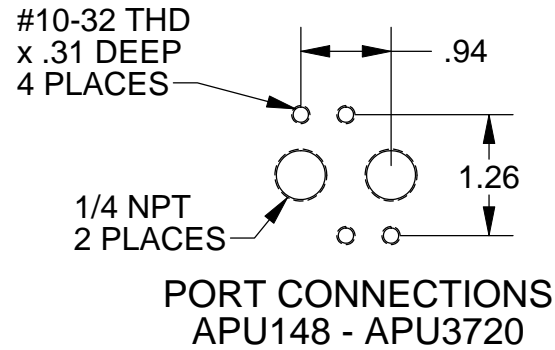
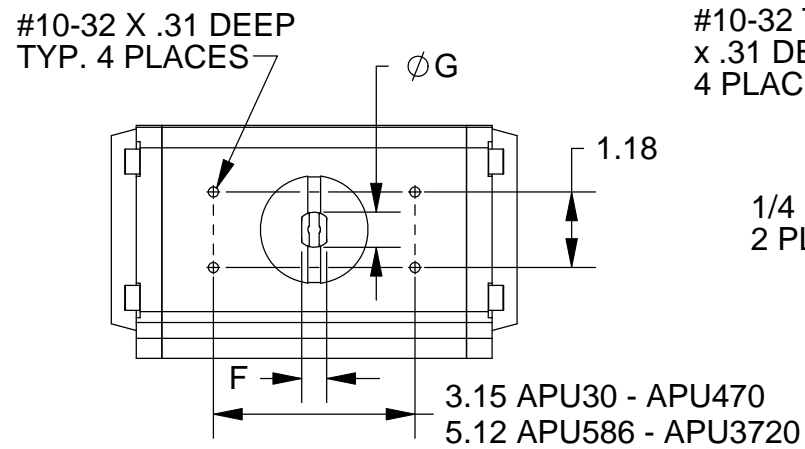
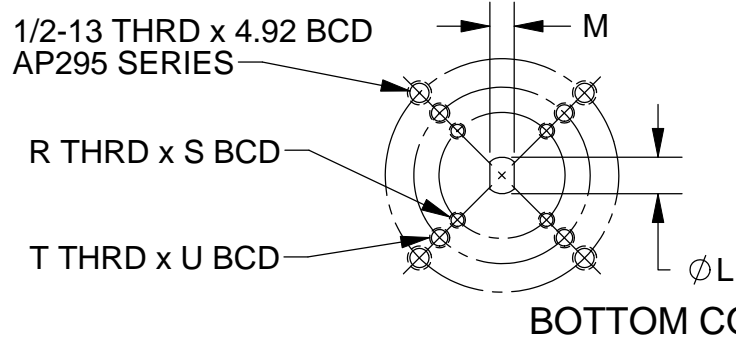
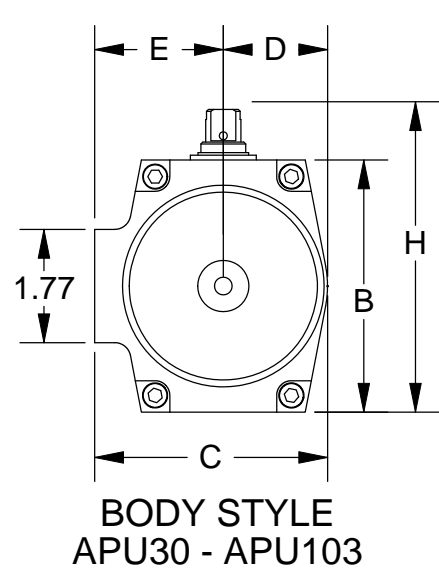
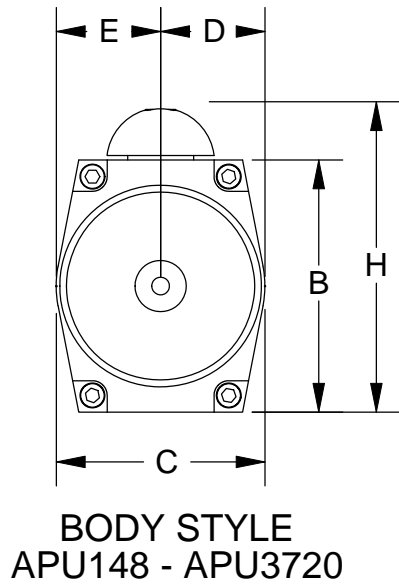
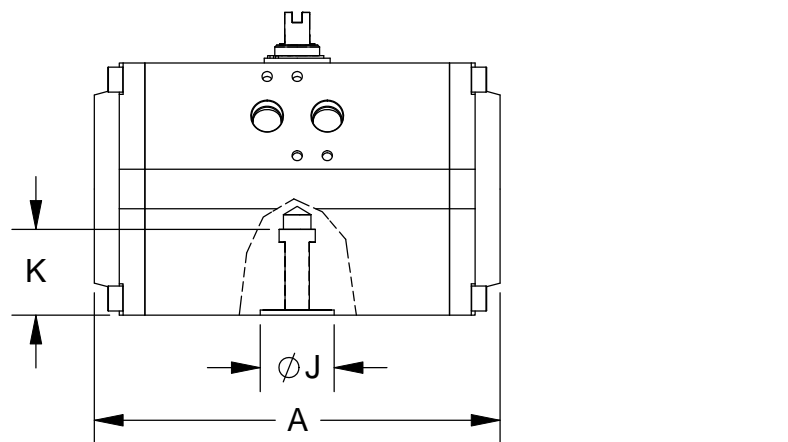


DOUBLE ACTING	SPRING RETURN	A	B	C	D	E	F	G	H	J	K	L	M	N	P	Q	R	S	T	U	WT. LBS
APU30DA	APU30SR()	5.39	3.46	3.07	1.32	1.75	0.39	0.55	4.25	1.00	0.71	0.57	0.38	-----	-----	-----	1/4-20	1.97	5/16-18	2.76	2.98
APU52DA	APU52SR()	6.34	3.94	3.64	1.63	2.01	0.39	0.55	4.73	1.16	0.75	0.57	0.38	-----	-----	-----	1/4-20	1.97	5/16-18	2.76	4.30
APU73DA	APU73SR()	7.07	4.25	3.92	1.79	2.13	0.39	0.55	5.04	1.27	0.75	0.75	0.50	-----	-----	-----	1/4-20	1.97	5/16-18	2.76	5.51
APU103DA	APU103SR()	8.23	4.61	4.35	1.99	2.36	0.55	0.79	5.40	1.47	0.75	0.75	0.50	-----	-----	-----	1/4-20	1.97	5/16-18	2.76	7.39
APU148DA	APU148SR()	8.77	5.51	4.72	2.36	2.36	0.55	0.79	6.30	1.57	0.81	0.75	0.50	-----	-----	-----	5/16-18	2.76	3/8-16	4.02	10.58
APU222DA	APU222SR()	11.52	5.51	4.72	2.36	2.36	0.79	1.10	6.30	2.07	0.81	-----	-----	1.13	0.25	0.13	5/16-18	2.76	3/8-16	4.02	14.99
APU295DA	APU295SR()	11.75	6.30	5.39	2.70	2.70	0.79	1.10	7.09	2.07	0.83	-----	-----	1.13	0.25	0.13	5/16-18	2.76	3/8-16	4.02	18.74
APU470DA	APU470SR()	13.27	7.80	6.77	3.39	3.39	0.79	1.10	8.59	2.59	0.83	-----	-----	1.13	0.25	0.13	3/8-16	4.02	1/2-13	4.92	31.00
APU586DA	APU586SR()	14.49	7.80	6.77	3.39	3.39	1.10	1.42	8.98	2.59	0.83	-----	-----	1.13	0.25	0.13	3/8-16	4.02	1/2-13	4.92	34.40
APU900DA	APU900SR()	16.62	10.00	8.82	4.41	4.41	1.10	1.42	11.18	3.10	1.26	-----	-----	1.13	0.25	0.13	1/2-13	4.92	5/8-11	6.50	61.50
APU1213DA	APU1213SR()	17.72	10.00	8.82	4.41	4.41	1.26	1.57	11.18	3.10	1.26	-----	-----	1.63	0.38	0.19	5/8-11	5.51	-----	-----	68.80
APU2366DA	APU2366SR()	23.07	11.89	10.71	5.36	5.36	1.26	1.57	13.07	4.12	1.26	-----	-----	1.88	0.50	0.19	3/4-10	6.50	-----	-----	132.32
APU2958DA	APU2958SR()	23.07	11.89	10.71	5.36	5.36	1.26	1.57	13.07	5.12	1.26	-----	-----	1.88	0.50	0.19	3/4-10	6.50	-----	-----	160.97
APU3720DA	APU3720SR()	26.89	14.17	14.17	7.09	7.09	1.26	1.57	15.35	5.12	1.26	-----	-----	1.88	0.50	0.19	3/4-10	6.50	-----	-----	205.00

"SR" TORQUE RATINGS -- LBS.-IN.							
ACTUATOR SIZE	NO. OF SPG	AIR SUPPLY IN P.S.I.G.				SPRING STROKE	
		60		80		START	END
		END	START	END	START		
APU30SR()	4	64	112	139	187	159	111
	5	24	84	99	159	199	139
	6	--	56	59	131	239	167
APU52SR()	4	80	181	210	311	309	208
	5	3	129	132	259	386	260
	6	--	76	55	206	463	312
APU73SR()	4	145	290	326	471	398	253
	5	45	226	226	407	498	317
	6	---	162	126	343	597	380
APU103SR()	4	227	382	481	636	533	379
	5	93	287	347	541	667	473
	6	---	192	213	446	800	568
APU148SR()	4	277	571	641	935	814	521
	5	73	440	437	804	1018	651
	6	---	309	232	673	1221	781
APU222SR()	4	407	729	936	1259	1101	800
	5	84	495	614	1025	1376	1000
	6	---	253	281	783	1651	1200
APU295SR()	4	554	1150	1282	1878	1629	1033
	5	147	892	847	1620	2036	1291
	6	---	634	467	1361	1443	1549
APU470SR()	4	840	1743	1876	2779	2266	1363
	5	273	1402	1309	2438	2832	1704
	6	---	1061	742	2097	3398	2044
APU586SR()	4	1245	2224	2688	3667	3083	2104
	5	473	1698	1916	3141	3854	2630
	6	---	1171	1145	2614	4625	3156
APU900SR()	4	2214	3478	4453	5717	4501	3238
	5	1088	2668	3327	4907	5627	4047
	6	---	1858	2200	4907	6752	4856
APU1213SR()	4	2952	4636	5937	7621	6001	4317
	5	1451	3556	4436	6541	7501	5397
	6	---	2475	2934	5460	9001	6476
APU2366SR()	4	3798	8319	9621	14142	13665	9145
	5	379	6031	6202	11854	17081	11432
	6	---	3742	2782	9565	20497	13718
APU2958SR()	4	4748	11801	12026	19079	17081	10030
	5	474	9291	7752	16570	21351	12538
	6	---	6781	3477	14059	25621	15045
APU3720SR()	4	12568	18628	22192	28251	16296	10239
	5	8491	16066	18114	25689	20370	12799
	6	4413	13503	14036	23127	24443	15358
7	333	10940	9957	20564	28517	17918	
8	-----	8377	5877	18000	32591	20478	



"DA" TORQUE RATINGS LBS.-IN.		
ACTUATOR SIZE	AIR IN P.S.I.G.	
	60	80
APU30DA	227	302
APU52DA	395	526
APU73DA	551	734
APU103DA	774	1032
APU148DA	1109	1479
APU222DA	1664	2218
APU295DA	2219	2958
APU470DA	3106	4142
APU586DA	4399	5865
APU900DA	6825	9100
APU1213DA	9099	12132
APU2366DA	17749	23665
APU2958DA	22186	29581
APU3720DA	27938	37250



MATERIAL SPECIFICATIONS
 BODY.....ANODIZED ALUMINUM, EPOXY COATED
 PISTON.....DIECAST ALUMINUM ALLOY
 END CAP.....ALUMINUM, EPOXY COATED
 DRIVE SHAFT.....STEEL, NICKEL PLATED
 SEAL, O-RINGS.....BUNA N
 BEARINGS.....DELTRIN
 SCREWS.....304 S.S.
 NUTS.....304 S.S.
 LOADED SPRINGS...STEEL, HIGH ALLOY, EPOXY COATED

UNCONTROLLED DRAWING

THIS PRINT IS THE PROPERTY OF DYNAQUIP CONTROLS AND SHALL NOT BE COPIED, REPRODUCED, LOANED, OR DISPOSED OF DIRECTLY OR INDIRECTLY, NOR USED FOR ANY PURPOSE OTHER THAN THAT FOR WHICH IT IS SPECIFICALLY FURNISHED EXCEPT BY WRITTEN PERMISSION OF DYNAQUIP CONTROLS.

NO. APU - ACTUATOR FILE NO. SUB004.2 DO NOT SCALE

TITLE PNEUMATIC ACTUATOR APU SERIES

DR MJP DATE 07-12-11 CH'KD MJP DATE 07-12-11 ENGR MJP DATE 07-12-11

