

## 3" Drop Elbows (Tight Fill Couplers)

### Complete Units

**Features:**

- aluminum body
- brass handle and cam arms with buna gasket
- steel bolts on inlet end
- plexiglass sight flow insert with buna seals

Coupler Size	Inlet	Aluminum	
		Part #	Price/E
3"	3" male adapter	<b>300300MAE</b>	<b>\$694.00</b>
3"	4" male adapter	<b>3004030MAE</b>	<b>726.00</b>

### Coupler Body



#### plunger type handle

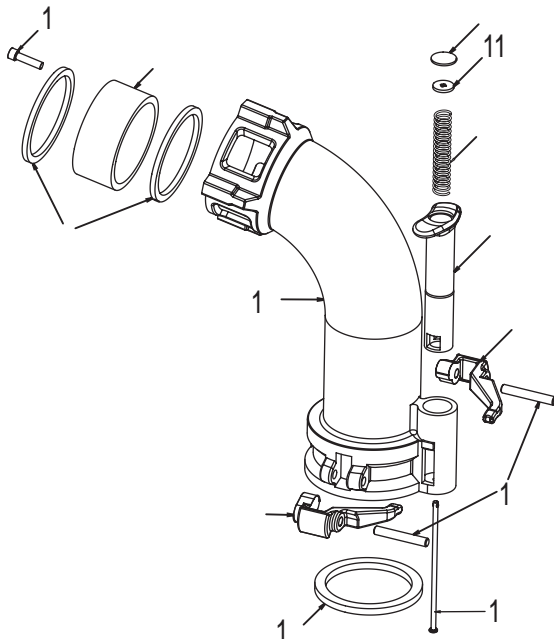
Size	Aluminum	
	Part #	Price/E
3"	<b>300-TFG</b>	<b>\$650.00</b>

### Inlet Ends



Inlet	Inlet	Aluminum	
		Part #	Price/E
3"	male adapter	<b>300-MAE</b>	<b>\$71.00</b>
4"	male adapter	<b>4030-MAE</b>	<b>105.00</b>

### Parts List



Item #	Description	Part #	Price/E
1	screw-inlet end	<b>P3-TFG-1</b>	<b>\$1.50</b>
2	plexiglass-shell only	<b>P3-TFG-2</b>	<b>33.00</b>
3	plunger	<b>P3-TFG-3</b>	<b>67.00</b>
5	plunger cap	<b>P3-TFG-5</b>	<b>5.50</b>
6	spring	<b>P3-TFG-6</b>	<b>6.80</b>
7	plexiglass gasket	<b>P3-TFG-7</b>	<b>3.50</b>
8	right cam arm	<b>P3-TFG-8</b>	<b>56.00</b>
9	left cam arm	<b>P3-TFG-9</b>	<b>56.00</b>
10	rod	<b>P3-TFG-10</b>	<b>11.50</b>
11	disc	<b>P3-TFG-11</b>	<b>9.50</b>
12	pin	<b>300-P</b>	<b>2.25</b>
13	coupler gasket	<b>300-G-BU</b>	<b>1.55</b>
14	body	<b>P3-TFG-13</b>	<b>---</b>

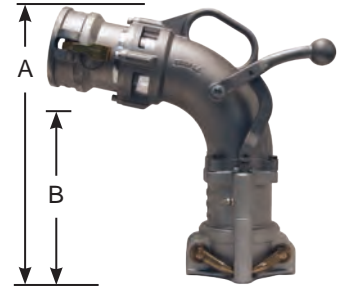
## 4" Drop Elbows (Tight Fill Couplers)

**Features:**

- cast aluminum modular construction
- brass handle and cam arms with buna gasket
- stainless steel bolts on inlet end
- acrylic sight glass with buna seals
- for information on additional elbow configurations such as pre-assembled elbows, contact Dixon

**side lever type handle**

Size	Inlet	A Overall Height	B Ground Clearance	Aluminum	
				Part #	Price/E
4"	elbow only, <i>without inlet connection</i>	17¾"	10-7/8"	<b>6200</b>	<b>\$933.70</b>
4"	elbow with 4" adapter inlet	17¾"	10-7/8"	<b>6200A</b>	<b>1049.55</b>
4"	elbow with anti-spill sleeve, <i>without inlet connection</i>	17¾"	10-7/8"	<b>6200T</b>	<b>1016.40</b>
4"	elbow with 4" coupler inlet	17¾"	10-7/8"	<b>6200D</b>	<b>1134.25</b>



drop elbow with side lever with 4" coupler inlet

**side lever type handle - extended body**

Size	Inlet	A Overall Height	B Ground Clearance	Aluminum	
				Part #	Price/E
4"	tall elbow only, <i>without inlet connection</i>	21"	13¾"	<b>6200X</b>	<b>\$1042.50</b>
4"	tall elbow with 4" adapter inlet	21"	13¾"	<b>6200XA</b>	<b>1175.90</b>
4"	tall elbow with anti-spill sleeve, <i>without inlet connection</i>	21"	13¾"	<b>6200XT</b>	<b>1131.10</b>
4"	tall elbow with 4" coupler inlet	21"	13¾"	<b>6200XD</b>	<b>1249.30</b>



drop elbow with side lever without inlet connection

**Self-Locking**

Size	Inlet	A Overall Height	B Ground Clearance	Aluminum	
				Part #	Price/E
4"	tightfill elbow with locking handle	17¾"	10-7/8"	<b>6500</b>	<b>\$988.35</b>
4"	tightfill elbow with locking handle and 4" adapter inlet	17¾"	10-7/8"	<b>6500A</b>	<b>1042.75</b>



self-locking drop elbow - no inlet

### Inlet Ends

**Feature:**

- replacement parts are available, contact Dixon for more information

Inlet Size	Inlet	Aluminum	
		Part #	Price/E
3"	male adapter	<b>6000-16</b>	<b>\$99.90</b>
4"	male adapter	<b>6000-17</b>	<b>99.90</b>
3"	female coupler	<b>6000-15</b>	<b>183.15</b>
4"	female coupler	<b>6000-14</b>	<b>183.15</b>
4"	female with FNPT	<b>6000-20</b>	<b>100.05</b>



## Top Side Lever Elbow Fits 6200 Elbow Only

- For replacement parts for other style elbows, contact Dixon.

### Bill Of Materials

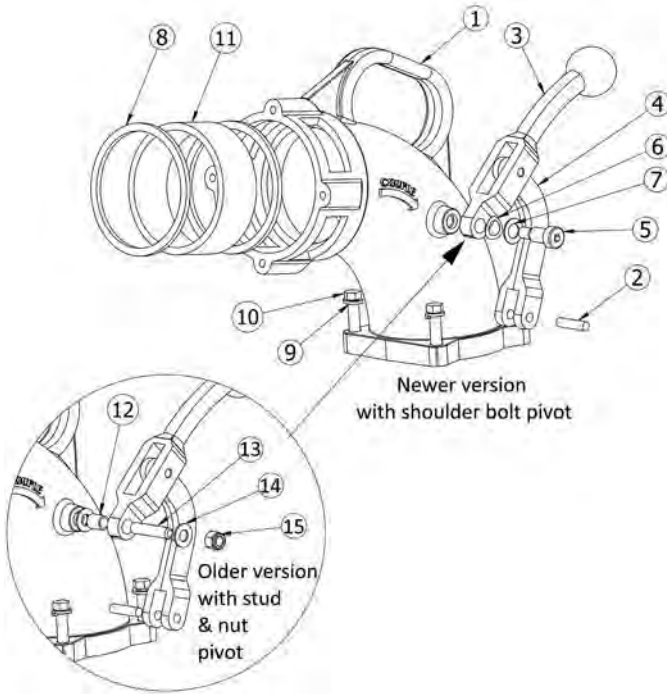
Item #	Description	Part #	Price/E	Qty
1	body	<b>6200-1</b>	<b>\$193.90</b>	1
2	pin	<b>PIN5/16x11/4P</b>	<b>3.10</b>	2
3	handle	use kit <b>6200-15ASSM</b>	---	1
4	handle linkage	use kit <b>6200-15ASSM</b>	---	1
5 <sup>1</sup>	shoulder bolt	use kit <b>6200SBK<sup>1</sup></b>	---	1
6 <sup>1</sup>	wave washer	use kit <b>6200SBK<sup>1</sup></b>	---	1
7 <sup>1</sup>	SS flat washer	use kit <b>6200SBK<sup>1</sup></b>	---	1
8A	Baylast™ gasket	<b>4433</b>	<b>10.05</b>	2
8B	FKM gasket (opt.)	<b>4426</b>	<b>12.40</b>	2
9	lock washer	use kit <b>6000EHK</b>	---	4
10	bolt	use kit <b>6000EHK</b>	---	4
11	sight glass	use kit <b>6200SGK</b>	---	1
12 <sup>2</sup>	bushing	use kit <b>6200SHK<sup>2</sup></b>	---	1
13 <sup>2</sup>	stud	use kit <b>6200SHK<sup>2</sup></b>	---	1
14 <sup>2</sup>	nylon washer	use kit <b>6200SHK<sup>2</sup></b>	---	2
15 <sup>2</sup>	nut	use kit <b>6200SHK<sup>2</sup></b>	---	1

<sup>1</sup> items 5 - 7 for shoulder bolt pivot version only

<sup>2</sup> items 12 - 15 for stud and nut pivot version only

### Repair Kits

Part #	Description	Includes	Price/E
<b>6200SGK</b>	replacement sight glass and Baylast™ seals	8, 11	<b>\$54.05</b>
<b>6000EHK</b>	replacement bolts and lock washers	9, 10	<b>9.10</b>
<b>6200-15ASSM</b>	replacement handle, linkage and pin	2, 3, 4	<b>58.00</b>
<b>6200SHK<sup>2</sup></b>	replacement stud pivot, nylon washers, bushing and nut	5, 6, 7	<b>16.95</b>
<b>6200SBK<sup>2</sup></b>	replacement stud pivot, nylon washers, bushing and nut	12, 13, 14, 15	<b>5.30</b>



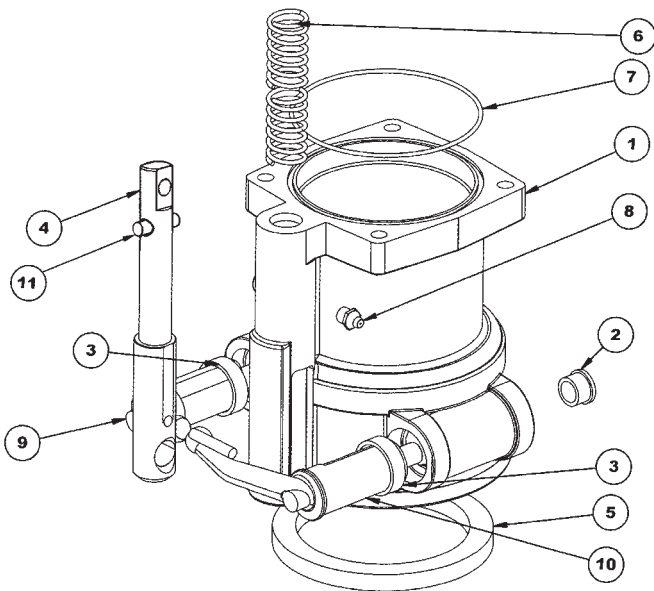
## Bottom Unit, for Side Lever Elbows Fits 6200, 6400 and 6500 Standard and Tall Elbows

### Bill Of Materials

Item #	Description	Part #	Price/E	Qty
1	body	use kit <b>6230</b>	---	1
2	small bushing	use kit <b>6200BK</b>	---	2
3	large bushing	use kit <b>6200BK</b>	---	2
4A	handle stem (standard)	<b>6200-7</b>	<b>\$75.95</b>	1
4B	handle stem (tall)	<b>6200-7X</b>	<b>94.40</b>	1
5	main gasket	<b>6000-9</b>	<b>8.40</b>	1
6	spring	<b>112012</b>	<b>6.10</b>	1
7	O-ring	<b>AS156</b>	<b>2.80</b>	1
8	grease nipple	<b>NIPPLE/1</b>	<b>7.10</b>	1
9	right arm	use kit <b>6200ARK</b>	---	1
10	left arm	use kit <b>6200ARK</b>	---	1
11	pin	<b>PIN5/16x11/4P</b>	<b>3.10</b>	1

### Repair Kits

Part #	Description	Includes	Price/E
<b>6230</b>	complete standard replacement bottom unit	all	<b>\$442.85</b>
<b>6230X</b>	complete tall replacement bottom unit	all	<b>520.05</b>
<b>6200ARK</b>	replacement left and right arms, main gasket, O-rings, small and large bushings	2, 3, 5, 7, 9, 10	<b>145.85</b>
<b>6200BK</b>	replacement small and large bushings	2, 3	<b>44.10</b>



S

# Vapor Recovery Drop Elbows

**Features:**

- for use in two point vapor recovery systems
- one-piece bronze locking arms housed in polymer bushings
- advanced design side lever locking system
- Buna seals and stainless steel hardware
- bolt on 3" male outlet included (**VR6000-6**) which can be rotated for extended life
- lubrication fitting on locking stem
- see 6400 series co-axial elbow for single point vapor recovery on page 744



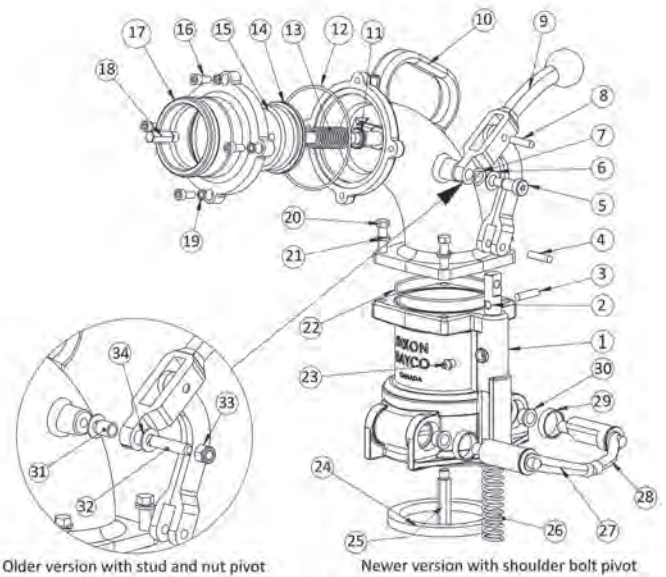
Description	Aluminum	
	Part #	Price/E
3" male adapter with probe, without poppet valve	<b>VR6200NP</b>	<b>\$732.80</b>
3" male adapter outlet with probe and poppet valve	<b>VR6200</b>	<b>834.35</b>

## VR6200 Series Vapor Elbows

**Bill Of Materials**

Item #	Description	Part #	Price/E	Qty
1	bottom body	use kit <b>VR6030</b>	---	1
2	stem	<b>6200-7</b>	<b>\$71.55</b>	1
3	stem stop pin	<b>PIN5/16X1¼-P</b>	<b>POR</b>	1
4	stem link pin	<b>PIN5/16X1¼-P</b>	<b>POR</b>	1
5 <sup>1</sup>	shoulder bolt pivot	use kit <b>6200SBK</b> <sup>1</sup>	---	1
6 <sup>1</sup>	SS flat washer	use kit <b>6200SBK</b> <sup>1</sup>	---	1
7 <sup>1</sup>	wave washer	use kit <b>6200SBK</b> <sup>1</sup>	---	1
8	handle pin	<b>PIN 5/16X1¼-P</b>	<b>POR</b>	1
9	handle and linkage	use kit <b>6200-15ASSM</b>	---	1
10	top elbow body	<b>VR6000-1</b>	<b>204.20</b>	1
11	poppet bushing	<b>VR6000-3</b>	<b>13.10</b>	1
12	outlet O-ring only	<b>110319</b>	<b>2.80</b>	1
13	poppet spring	<b>L1110-L2287</b>	<b>18.85</b>	1
14	FKM poppet seal	<b>O-RING-AS-334</b>	<b>11.85</b>	1
15	poppet valve	<b>VR6000-4</b>	<b>61.00</b>	1
16	outlet adapter bolt	use kit <b>6000NPHK</b>	---	4
17	outlet adapter with outlet O-ring	<b>VR6000-6</b>	<b>63.35</b>	1
18	poppet valve stand off	<b>VR6000-5</b>	<b>13.25</b>	1
19	lock washer	use kit <b>6000NPHK</b>	---	4
20	bolt	use kit <b>6000EHK</b>	---	4
21	lock washer	use kit <b>6000EHK</b>	---	4
22	body O-ring	<b>AS156</b>	<b>2.80</b>	1
23	grease nipple	<b>NIPPLE/1</b>	<b>6.65</b>	1
24	main seal gasket	<b>6000-9</b>	<b>8.40</b>	1
25	probe	<b>VR6000-7</b>	<b>10.05</b>	1
26	stem spring	<b>112012</b>	<b>6.10</b>	1
27	left arm	<b>VR6000-9</b>	<b>77.15</b>	1
28	right arm	<b>VR6000-8</b>	<b>77.15</b>	1
29	large bushing	use kit <b>6200BK</b>	---	2
30	small bushing	use kit <b>6200BK</b>	---	2
31 <sup>2</sup>	pivot bushing	use kit <b>6200SHK</b> <sup>2</sup>	---	1
32 <sup>2</sup>	pivot stud	use kit <b>6200SHK</b> <sup>2</sup>	---	1
33 <sup>2</sup>	pivot lock nut	use kit <b>6200SHK</b> <sup>2</sup>	---	1
34 <sup>2</sup>	nylon washer	use kit <b>6200SHK</b> <sup>2</sup>	---	2

<sup>1</sup> items 5 - 7 for shoulder bolt pivot version only  
<sup>2</sup> items 12 - 15 for stud and nut pivot version only



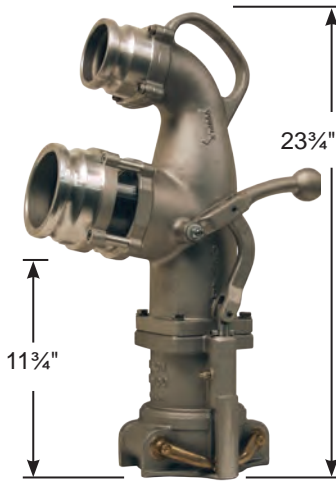
**Repair Kits**

Part #	Description	Includes	Price/E
<b>VR6230</b>	complete replacement bottom body	1, 2, 3, 22, 23, 24, 25, 26, 27, 28, 29, 30	<b>\$461.00</b>
<b>6200SBK</b> <sup>1</sup>	replacement shoulder bolt pivot, wave washer and flat washer	5, 6, 7	<b>5.30</b>
<b>6200-15ASSM</b>	replacement handle, linkage and linkage pin	8, 9	<b>58.00</b>
<b>6000NPHK</b>	replacement adapter (4) bolts and lock washers	16, 19	<b>6.20</b>
<b>6000EHK</b>	replacement body bolts and lock washers	20, 21	<b>9.10</b>
<b>6200BK</b>	replacement (2) large and small arm bushing	29, 30	<b>44.10</b>
<b>6200SHK</b> <sup>2</sup>	replacement stud pivot, nylon washer, bushing and nut	31, 32, 33, 34	<b>16.95</b>

**S**



## Coaxial Drop Elbow

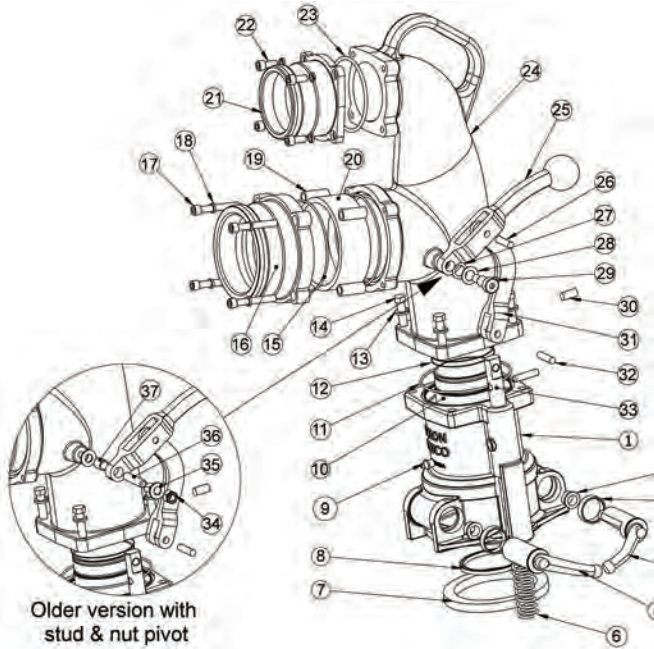


**Features:**

- for single point vapor recovery only
- 3" male vapor outlet (top)
- comes assembled with 4" male inlet
- quality cast aluminum construction with solid bronze arms
- bolt-on inlets/outlets for easy, fast replacement
- acrylic sight glass with buna seals
- replacement parts are available, please contact Dixon
- 6400 co-axial inlets do not fit our other elbow series

Inlet	Outlet	Part #	Aluminum	Price/E
4" male	3" male vapor	<b>6400</b>		<b>\$1363.95</b>

## 6400 Series Coaxial Drop Elbows



**Repair Kits**

Part #	Description	Includes Item #	Price/E
<b>6230</b>	complete standard replacement bottom unit	1-7, 9, 11, 32, 33A	<b>\$442.85</b>
<b>6230X</b>	complete tall replacement bottom unit	1-7, 9, 11, 32, 33B	<b>520.05</b>
<b>6400ARK</b>	replacement L & R arms, main gasket, O-rings, small & large bushings	2-5, 7, 8, 11, 12	<b>186.80</b>
<b>6200BK</b>	replacement small & large bushings	2, 3	<b>44.10</b>
<b>6400SGK</b>	replacement sight glass and seal	15, 20	<b>50.60</b>
<b>6200-15ASSM</b>	replacement handle, lever and pin	25, 26, 31	<b>58.00</b>
<b>6000EHK</b>	replacement bolts and washers	13, 14	<b>9.10</b>
<b>6400-DTK</b>	replacement tube, O-ring & U cup seal	8, 10, 12	<b>114.35</b>
<b>6200SHK</b>	replacement pivot stud, bushing, washer and lock nut	34-37	<b>16.95</b>
<b>6200SBK</b>	replacement shoulder bolt pivot, wave washer and flat washer	27-29	<b>5.30</b>

## Coaxial Drop Elbow Replacement Fuel Inlets

S



**Features:**

- for use with 6400 series coaxial elbows only
- rated for petroleum service, Ethanol to E100 and biodiesel to B20

Description	Part #	Aluminum	Price/E
3" adapter fuel inlet	<b>6000-16C</b>		<b>\$74.70</b>
4" adapter fuel inlet	<b>6000-17C</b>		<b>74.70</b>
3" coupler fuel inlet	<b>6000-15C</b>		<b>138.05</b>
4" coupler fuel inlet	<b>6000-14C</b>		<b>131.95</b>

## Side Seal Drop Elbow

**Features:**

- for use with special 4" side seal style fill collars only
- modular, easy to repair, bolt together aluminum construction
- comes with acrylic sight glass with buna seals (2), bronze locking levers and buna main seal
- 4" male adapter inlet and lock ring installed
- replacement parts are available, please contact Dixon



Description	Part #	Aluminum	
			Price/E
side seal elbow with lock ring and 4" male adapter inlet	<b>6000ASAL</b>		<b>\$829.75</b>

## Side Seal Adapter

**Features:**

- allows conventional elbows to be used with special side seal style fill collars
- bottom connects to side seal fill collar
- top section with standard 4" top seal collar profile to accept clamping of standard 4" drop elbows
- replacement parts are available, please contact Dixon



Description	Part #	Aluminum	
			Price/E
4" top seal drop elbow adapter x side seal connection	<b>6000-SSA</b>		<b>\$377.15</b>



## Tank Truck Flanged Sight Flow Indicators

**Features:**

- Due to the proprietary blending of petroleum products, Dixon recommends that thermoplastic tubing and gaskets be immersion tested in the product to be handled to ensure compatibility (not compatible with crude oil).
- for tank truck flange gaskets, see page 54
- for dimensional information on tank truck flange drilling, see page 822
- maximum flange bolt torque is 200 in-lb (inch pounds)



**Features:**

- durable cast aluminum housing, replaces competitions all acrylic sight glass as commonly found on tank trucks
- allows for visual identification of the fuel grade prior to opening the valve
- works with tank truck flanged butterfly valves found on gasoline trucks
- low cost sight glass tube can be easily replaced

**TTMA pattern flanged short sight flow indicators**



Size	Width	Aluminum	
		Part #	Price/E
4"	1 3/4"	<b>5200-SFI</b>	<b>\$180.95</b>
3"	1 3/4"	<b>5200-SFI-3</b>	<b>165.55</b>

**repair kits**

Part #	Description	Price/E
<b>5200-SFI-3-RK1</b>	3" replacement sight glass, Baylast™ O-ring and retainer ring kit	<b>\$80.75</b>
<b>5200-SFI-3V-RK1</b>	3" replacement sight glass, FKM O-ring and retainer ring kit	<b>149.60</b>
<b>5200-SFI-RK1</b>	4" replacement sight glass, Baylast™ O-ring and retainer ring kit	<b>80.75</b>
<b>5200-SFIV-RK1</b>	4" replacement sight glass, FKM O-ring and retainer ring kit	<b>149.60</b>

**Features:**

- allows for visual identification of the fuel grade prior to opening the valve
- works with tank truck flanged butterfly valves found on gasoline trucks
- larger ID 4-3/8" flow indicator allows tank truck flanged butterfly valves to connect to either end of the indicator
- pressure rating: **150 PSI**

**sight flow indicator with 4-3/8" flow**



Size	Width	Aluminum		Opt Qty
		Part #	Price/E	
4"	3 1/4"	<b>5201-SFI</b>	<b>\$256.25</b>	5

**replacement parts**

Description	Used on	Part #	Price/E
replacement Baylast O-rings, sight glass and retaining ring	5201-SFI	<b>5201-SFI-RK1</b>	<b>\$84.45</b>
Buna-N O-ring		<b>O249BU</b>	<b>4.75</b>

**Features:**

- allows for visual identification of the fuel grade prior to opening the valve
- 4" flow diameter

**sight flow indicator with 4" flow**



Size	Aluminum		Opt Qty
	Part #	Price/E	
4"	<b>4-1460-AL</b>	<b>\$190.10</b>	10

**replacement parts**

Description	Part #	Price/E	Opt Qty
plexiglass insert	<b>4PSG</b>	<b>\$84.00</b>	10
Buna-N O-ring	<b>O246BU</b>	<b>4.25</b>	10

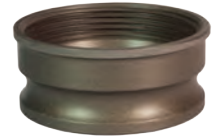
S

## Fill Pipe Adapters TFA Series Adapters

**Feature:**

- for use with 3" drop elbows (300-TFG)

Adapter Size	Female NPT	Aluminum Hardcoat Part #	Price/E	Opt Qty
3"	3"	<b>300-TFA</b>	<b>\$62.65</b>	10



## Fill Adapters

**Features:**

- for use with 4" drop and co-axial elbows (6200, 6400 and 6500 series)
- **BZ4051S** has NPSM thread and is supplied with a gasket

Adapter Size	Female Thread	Height	Material	Part #	Price/E	Opt Qty
4"	4" NPSM	2 <sup>5</sup> / <sub>8</sub> "	bronze	<b>BZ4051S</b>	<b>\$110.55</b>	5
4"	4" NPT	3 <sup>1</sup> / <sub>2</sub> "	bronze	<b>BZ4051</b>	<b>132.50</b>	5



with NPSM thread



with NPT thread

## Vapor Recovery Adapters

**Features:**

- for use with dual point vapor elbows (VR6200 series)
- can also be used as vapor valve on tanker but does not have air interlock mount
- popped vapor collar at station vapor outlet
- low profile design
- replacement parts are available, contact Dixon for more information

Adapter Size	Female Thread	Height	Material	Part #	Price/E	Opt Qty
4"	4" NPT	3 <sup>5</sup> / <sub>8</sub> "	bronze	<b>VR4086</b>	<b>\$313.25</b>	5
4"	4" NPT	3 <sup>5</sup> / <sub>8</sub> "	ZN-AL alloy	<b>VR4086-BY</b>	<b>246.60</b>	5



## Fill Pipe Adapter Caps

**Features:**

- single action aluminum locking cap
- bronze cam arms
- replacement parts are available, contact Dixon for more information

Size	Aluminum Part #	Price/E	Opt Qty
4"	<b>SA4050AL</b>	<b>\$106.10</b>	10





## API Dust Caps



with cam arms



with locking arms

Size	Description	Aluminum		Opt Qty
		Part #	Price/E	
4" API	with flat Buna gasket and brass cam arms	<b>41450-DCAL</b>	<b>\$159.00</b>	5
	with O-ring Baylast™ seal and brass cam arms	<b>5000-24</b>	<b>127.90</b>	10
	<b>NEW</b> with locking arms	<b>5000-24L</b>	<b>131.85</b>	1

Size	Description	Nylon		Opt Qty
		Part #	Price/E	
4" API	with flat Buna seal and plated steel pad lockable roller lever	<b>5000-25</b>	<b>\$90.85</b>	20

### Repair Kits

Part #	Description	Item #	Price/E
<b>4500RK</b>	replacement cam arms, pins and Baylast™ O-ring seal (standard)	2, 3, 4A	<b>\$27.60</b>
<b>4500RK-V</b>	replacement cam arms, pins and FKM O-ring seal (optional)	2, 3, 4B	<b>48.30</b>
<b>5205-RK4</b>	replacement 18" chain and S hook	5	<b>11.10</b>

## Gravity Drop Adapters

### Application:

- for offloading through an API adapter



4540



4540SG

Adapter Size	Coupler Size	Description	Aluminum	
			Part #	Price/E
3"	4" API	with Baylast™ O-ring seal	<b>4530</b>	<b>\$202.00</b>
3"	4" API	with inline sight glass and Baylast™ flat gasket	<b>4530SG</b>	<b>257.00</b>
3"	4" API	with flat Buna gasket	<b>31440-225AL</b>	<b>183.80</b>
4"	4" API	with Baylast™ O-ring seal	<b>4540</b>	<b>202.00</b>
4"	4" API	with inline sight glass and Baylast™ flat gasket	<b>4540SG</b>	<b>259.45</b>
4"	4" API	with flat Buna gasket	<b>41440-225AL</b>	<b>189.60</b>

### repair kits

Description	Part #	Price/E
sight glass repair kit (fits 3" and 4")	<b>4540SG-RK1</b>	<b>\$67.55</b>
replacement cam arms and pins (fits 3" and 4")	<b>4540SG-RK3</b>	<b>30.80</b>
replacement chain and "S" hook	<b>5205-RK4</b>	<b>11.10</b>

### replacement gaskets

Description	Material	Part #	Price/E
O-ring replacement seal for 4530, 4540, 5000-24	Baylast	<b>4500-5</b>	<b>\$7.30</b>
flat replacement gasket for 4530SG, 4540SG	Baylast	<b>4540SG-RK2</b>	<b>8.80</b>
flat replacement gasket for 31440-225AL, 41440-225AL, 41450-DCAL	Buna	<b>2143SEALBU</b>	<b>13.00</b>
flat replacement gasket for 5000-25	Buna	<b>5000-25RK1</b>	<b>17.15</b>

## 4" Vapor Caps

### Features:

- special locking cap for underground tank vapor outlet, VR4086, and tanker vapor valves
- bronze cam arms
- aluminum painted vapor recovery orange



Size	Aluminum	
	Part #	Price/E
4"	<b>VR4050AL</b>	<b>\$108.40</b>

### Features:

- centered 'T' handle allows for one-handed use and provides a solid locking mechanism
- strong and lightweight
- built-in locking feature
- corrosion resistant materials
- color coded vapor recovery orange
- replacement parts are available, contact Dixon for more information



Size	Nylon	
	Part #	Price/E
4"	<b>VR4050PL</b>	<b>\$66.75</b>

S

## Dust Caps and Plugs with Pull Handles for Hose Tubes

**Features:**

- Pull handles make it easier for tanker operators to remove delivery hoses from the storage tubes;
- the operator simply grabs the handle and easily pulls the hose out of the storage tube.
- Rugged aluminum constructed parts protect the hose coupling and adapter from damage during transportation and the removal of hoses from the hose storage tube.
- Prevents possible environmental issues due to leaking residue left in an open hose

**Materials:**

- aluminum body, brass cam arms (dust caps), Buna seals



400-DC-ALPH



400-DP-ALPH

Part #	Description	Price/E
<b>300-DC-ALPH</b>	3" aluminum dust cap with pull handle	<b>\$79.80</b>
<b>300-DP-ALPH</b>	3" aluminum dust plug with pull handle	<b>51.50</b>
<b>400-DC-ALPH</b>	4" aluminum dust cap with pull handle	<b>91.85</b>
<b>400-DP-ALPH</b> <b>NEW</b>	4" aluminum dust plug with pull handle	<b>42.15</b>



*Dust caps and dust plugs are not to be used in pressure applications for safety and environmental reasons.*



## Tank Transport Equipment Fusible Pipe Caps



### female NPSM

Size	Stainless Steel <sup>1</sup>		Opt Qty	Aluminum		Opt Qty	Iron		Opt Qty
	Part #	Price/E		Part #	Price/E		Part #	Price/E	
3"	<b>300-SFC-SS</b>	<b>\$116.00</b>	10	<b>300-SFC-AL</b>	<b>\$114.95</b>	10	<b>300-SFC-MI</b>	<b>\$110.00</b>	10

## Pipe Caps



### female NPSM

Size	Stainless Steel <sup>1</sup>		Opt Qty	Aluminum		Opt Qty	Iron		Opt Qty
	Part #	Price/E		Part #	Price/E		Part #	Price/E	
2"	<b>200-PC-SS</b>	<b>\$121.00</b>	--	---	---	--	<b>200-PC-MI</b>	<b>\$40.00</b>	---
3"	<b>300-PC-SS</b>	<b>89.75</b>	10	<b>300-PC-AL</b>	<b>\$44.75</b>	10	<b>300-PC-MI</b>	<b>50.40</b>	10
4"	<b>400-PC-SS</b>	<b>248.00</b>	--	---	---	--	---	---	---

## Reducers

### female NPSM x male NPT



Female NPSM	Male NPT	Stainless Steel <sup>1</sup>		Opt Qty	Aluminum		Opt Qty	Iron		Opt Qty
		Part #	Price/E		Part #	Price/E		Part #	Price/E	
3"	2"	<b>3020-RD-SS</b>	<b>\$140.00</b>	10	<b>3020-RD-AL</b>	<b>\$67.60</b>	10	<b>3020-RD-MI</b>	<b>\$58.00</b>	10
4"	3"	<b>4030-RD-SS<sup>2</sup></b>	<b>570.00</b>	---	<b>4030-RD-AL</b>	<b>128.00</b>	---	---	---	---

<sup>2</sup> welded fabrication

## Reducing Cap

### female NPSM x female NPT



Size	Stainless Steel <sup>1</sup>		Opt Qty
	Part #	Price/E	
3" x 1"	<b>3010-RC-SS</b>	<b>\$196.00</b>	10

<sup>1</sup> PTFE gaskets are standard in stainless steel fittings.

## Gaskets and Washers

Size	Buna-N		Opt Qty	PTFE		Opt Qty	Neoprene		FKM	
	Part #	Price/E		Part #	Price/E		Part #	Price/E	Part #	Price/E
1½"	---	---	--	<b>150GPCTF</b>	<b>\$5.70</b>	--	---	---	---	---
2"	<b>200GPCBU</b>	<b>\$2.10</b>	25	<b>200GPCTF</b>	<b>4.95</b>	10	<b>KNW25</b>	<b>\$0.85</b>	<b>KVW25</b>	<b>\$10.10</b>
3"	<b>300GPCBU</b>	<b>2.35</b>	25	<b>300GPCTF</b>	<b>6.45</b>	25	<b>KNW35</b>	<b>1.35</b>	<b>KVW35</b>	<b>21.85</b>
4"	---	---	--	<b>400GPCTF</b>	<b>15.00</b>	--	<b>KNW40</b>	<b>2.15</b>	---	---

## Tank Transport Equipment - Intermodal Pipe Caps



### female BSPP

Size	Aluminum		Stainless Steel <sup>1</sup>		Opt Qty
	Part #	Price/E	Part #	Price/E	
3"	<b>300PCALAP</b>	<b>\$59.95</b>	<b>300PCSSAP</b>	<b>\$102.50</b>	10

## Thread Adapters

### female BSPP x male NPT



Female BSPP	Male NPT	Stainless Steel <sup>1</sup>	
		Part #	Price/E
3"	2"	<b>3020RDSSAP</b>	<b>\$175.00</b>
3"	3"	<b>3030RDSSAP</b>	<b>255.00</b>

## Cam and Groove Adapter

### female BSPP



Size	Stainless Steel <sup>1</sup>	
	Part #	Price/E
3"	<b>300ASSAP</b>	<b>\$152.00</b>

<sup>1</sup> PTFE gaskets are standard in stainless steel fittings.

S

## Bayonet Style Dry Disconnect Couplings

**Application:**

Bayonet dry disconnect fittings are ideally suited for the spill-less transfer of petroleum products such as fuel oil, lube oil blending, and tank truck delivery. The design of the Bayco bayonet dry disconnect system ensures a spill free connection, fluid cannot flow until couplings are connected together and the valve is opened. The coupling can then not be disconnected until the valve handle is closed.

**Feature:**

- Maximum operating pressure: **85 PSI @ 70° F**, for pressure ratings at other temperatures contact Dixon.

### Adapters bayonet style adapter x female NPT

Size	Seal Material	Stainless Steel		Brass		Aluminum	
		Part #	Price/E	Part #	Price/E	Part #	Price/E
2"	Buna	<b>BA31-200</b>	<b>\$215.75</b>	---	---	---	---
2"	FKM	<b>BA32-200</b>	<b>215.75</b>	---	---	---	---
3"	Buna	---	---	<b>BA31-300</b>	<b>\$523.35</b>	<b>BA61-300</b>	<b>\$479.45</b>
3"	FKM	---	---	<b>BA32-300</b>	<b>523.35</b>	<b>BA62-300</b>	<b>479.45</b>



### Dust Cap for Adapters

**Feature:**

- rubber dust cap with stainless steel chain

Size	Part #	Price/E
2"	<b>BAC-200</b>	<b>\$50.95</b>
3"	<b>BAC-300</b>	<b>56.65</b>



### Couplers

**Feature:**

- replacement parts are available, contact Dixon for more information

#### bayonet style 90° swivel coupler x female NPT

Size	Seal Material	Anodized Aluminum	
		Part #	Price/E
2"	Buna	<b>BS61-200</b>	<b>\$864.95</b>
2"	FKM	<b>BS62-200</b>	<b>932.90</b>
3"	Buna	<b>BS61-300</b>	<b>1478.20</b>
3"	FKM	<b>BS62-300</b>	<b>1596.10</b>



#### bayonet style straight coupler x female NPT

Size	Seal Material	Anodized Aluminum	
		Part #	Price/E
2"	Buna	<b>BC61-200</b>	<b>\$687.20</b>
2"	FKM	<b>BC62-200</b>	<b>749.15</b>



#### bayonet style straight swivel coupler x female NPT

Size	Seal Material	Anodized Aluminum	
		Part #	Price/E
2"	Buna	<b>BSS61-200</b>	<b>\$864.95</b>
2"	FKM	<b>BSS62-200</b>	<b>932.90</b>
3"	Buna	<b>BSS61-300</b>	<b>1396.35</b>
3"	FKM	<b>BSS62-300</b>	<b>1516.20</b>



### Dust Plug for Couplers

**Feature:**

- rubber dust plug with stainless steel chain

Size	Part #	Price/E
2"	<b>BCP-200</b>	<b>\$64.55</b>
3"	<b>BCP-300</b>	<b>73.45</b>



## Ball Nozzles for Bulk Delivery

**Features:**

- rugged construction high flow provides rapid fuel oil transfer/delivery
- heavy duty roller ball swivel with low temperature seals freely rotates without leaking at **-40°F** and **100 PSI**
- 3 PSI check valve is included to prevent back flow, 5 PSI is optional

**ball nozzle with swivel adapter outlet**

Female NPT Inlet	Outlet	Anodized Aluminum Part #	Price/E
1¼"	swivel quick fill nut	<b>BL062</b>	<b>\$729.25</b>
1½"	swivel quick fill nut	<b>BL064</b>	<b>729.25</b>

**ball nozzle with spout outlet**

Female NPT Inlet	Spout Outlet	Anodized Aluminum Part #	Price/E
1¼"	1¼"	<b>BL066</b>	<b>\$729.25</b>
1½"	1¼"	<b>BL068</b>	<b>729.25</b>
1½"	1½"	<b>BL072</b>	<b>729.25</b>



BL062

**ball nozzle replacement spouts**

Size	Aluminum Part #	Price/E
1¼"	<b>1143A</b>	<b>\$55.50</b>
1½"	<b>1125A</b>	<b>60.40</b>

**ball nozzle without spout outlet**

Female NPT Inlet	Female NPT Outlet	Anodized Aluminum Part #	Price/E
1¼"	1¼"	<b>BL066NS</b>	<b>\$618.15</b>
1½"	1¼"	<b>BL068NS</b>	<b>619.20</b>
1½"	1½"	<b>BL072NS</b>	<b>618.15</b>



BL072

**repair kits**

Description	Part #	Price/E
inlet swivel seal and wear kit	<b>SWMF-RK2</b>	<b>\$54.25</b>
complete inlet swivel rebuild kit	<b>SWMF-RK3</b>	<b>118.80</b>
1½" FNPT replacement inlet swivel	<b>SWMF-RK4</b>	<b>208.95</b>
1¼" FNPT replacement inlet swivel	<b>SWMF-RK5</b>	<b>208.95</b>
1½" BSPP replacement inlet swivel	<b>SWMF-RK6</b>	<b>208.95</b>
replacement swivel outlet (BL062, BL064)	<b>BL005</b>	<b>100.95</b>
ball valve shaft seal kit	<b>BL-RK4</b>	<b>48.90</b>
complete ball nozzle seal kit	<b>BL-RK10</b>	<b>47.65</b>
optional check valve 5 PSI spring kit	<b>BL-RK11</b>	<b>20.60</b>
standard check valve 3 PSI cartridge kit	<b>BL-RK12</b>	<b>77.00</b>

**super ball nozzle with spout outlet**

Female NPT Inlet	NPT Spout Outlet	Anodized Aluminum Part #	Price/E
2"	2"	<b>BL920</b>	<b>\$840.05</b>

**super ball nozzle replacement spout**

Size	Aluminum Part #	Price/E
2"	<b>391137</b>	<b>\$84.45</b>



S

**repair kits**

Description	Part #	Price/E
inlet swivel grease nipple kit (optional)	<b>SWMF-RK1</b>	<b>\$16.25</b>
inlet swivel seal and wear kit	<b>SWMF-RK22</b>	<b>32.05</b>
complete inlet swivel rebuild kit	<b>SWMF-RK32</b>	<b>117.25</b>
2" FNPT replacement inlet swivel	<b>SWMF-RK42</b>	<b>240.25</b>
1½" FNPT replacement inlet swivel	<b>SWMF-RK52</b>	<b>240.25</b>
ball valve shaft seal kit	<b>BL-RK42</b>	<b>67.45</b>
complete ball nozzle seal kit	<b>BL-RK102</b>	<b>35.45</b>
optional check valve 5 PSI spring kit	<b>BL-RK112</b>	<b>9.50</b>
standard check valve 3 PSI cartridge kit	<b>BL-RK122</b>	<b>45.50</b>
replacement trigger kit	<b>BL-RK13</b>	<b>70.00</b>



# Gravity Utility Nozzles

**Application:**

- for use with 12 volt pumps and gravity flow fittings in economy fuel dispensing applications

**Features:**

- manual operation (non-automatic)
- Underwriters Listed
- working pressure: **25 PSI**

Female NPT Inlet	Spout Outlet	Die Cast Zinc Aluminum Part #	Price/E
1"	1" outlet	<b>900</b> <sup>1</sup>	<b>\$69.50</b>
1"	1" straight	<b>900S</b>	<b>78.45</b>
1"	1" bent	<b>900B</b>	<b>78.45</b>
1"	¾" straight	<b>900W34S</b>	<b>78.43</b>
1"	¾" bent	<b>900W34B</b>	<b>78.43</b>
¾"	¾" straight	<b>900S34</b> <sup>2</sup>	<b>81.75</b>
¾"	¾" bent	<b>900B34</b> <sup>2</sup>	<b>81.75</b>

<sup>1</sup> nozzle body only (no spout)

<sup>2</sup> ¾" nozzle inlet uses 1" x ¾" reducer bushing, supplied



**replacement parts**

Description	Part #	Price/E
¾" replacement straight spout	<b>234-80-4</b>	<b>\$12.00</b>
¾" replacement bent spout	<b>234-80-5</b>	<b>18.20</b>
1" replacement straight spout	<b>875-4</b>	<b>12.25</b>
1" replacement bent spout	<b>875-5</b>	<b>13.00</b>
trigger	<b>900TK</b>	<b>5.05</b>
plunger & valve assemblies, cap, O-ring	<b>900SK</b>	<b>20.50</b>

## Pressure Nozzle for Bulk Delivery

**Features:**

- manual operation (non-automatic) for high pressures and fuel flow up to **100 GPM**
- easy opening dash pot design with shockless closing
- detachable trigger ratchet, packing gland and seal
- bronze trigger

**without spout**

Female NPT Inlet	Female NPT Outlet	GPM @ 10 PSI	Aluminum Part #	Price/E
1¼"	1¼"	80	<b>114DNS</b>	<b>\$406.10</b>
1½"	1½"	100	<b>112DNS</b>	<b>367.50</b>

**with spout**

Female NPT Inlet	Spout Outlet	GPM @ 10 PSI	Aluminum Part #	Price/E
1¼"	1¼"	80	<b>114D</b>	<b>\$451.45</b>
1½"	1½"	100	<b>112D</b>	<b>394.75</b>

**replacement items**

Description	Part #	Price/E
aluminum replacement spout for 114D	<b>1143A</b>	<b>\$55.50</b>
aluminum replacement spout for 112D	<b>1125A</b>	<b>60.40</b>
main poppet, 2nd poppet, cap O-ring, valve stem	<b>112DSK</b>	<b>99.50</b>
blank plate to replace ratchet plate if ratchet not required	<b>114DAL-AV-19</b>	<b>24.75</b>
main and secondary poppets, cap O-ring, valve stem assembly and packing, sleeve stem packing and nut	<b>114DSK</b>	<b>124.40</b>



## Overwing Aircraft Nozzles

**Features:**

- manual operation (non-automatic) for high pressures and fuel flow up to 60 GPM at **20 PSI**
- easy opening dash pot design with shock-less closing
- detachable trigger ratchet, packing gland and seal
- bronze trigger and plastic guard pad to protect wing
- spout comes with cap, spring cord, fine mesh stainless steel screen filter and screw attachment for grounding cable (cable not supplied)

Female NPT Inlet	Spout Outlet	Aluminum Part #	Price/E
1¼"	1"	<b>114DAVR</b>	<b>\$766.65</b>
1¼"	1¼"	<b>114D-AV</b>	<b>766.65</b>
1½"	1¼"	<b>114D-AV-06ASM</b>	<b>813.45</b>

**replacement items**

Description	Part #	Price/E
trigger, bushing, pin and cotter pin	<b>114/2D-TK</b>	<b>\$38.05</b>
main & secondary poppet assemblies, cap O-ring, valve stem assembly	<b>114DAV-SK</b>	<b>133.55</b>
1" spout assembly	<b>114DAL-AV-25</b>	<b>154.80</b>
1¼" spout assembly	<b>114DAL-AV-16</b>	<b>109.70</b>



**S**

## Large Capacity Low Pressure / Gravity Nozzle



**Application:**

rugged utility nozzle for low pressure/gravity applications

**Features:**

- rapid flow due to 1¼" oversize design
- maximum operating pressure: **25 PSI**

Female NPT Inlet	Spout Outlet	Aluminum Part #	Price/E
1¼"	1¼"	<b>1250-94</b>	<b>\$259.30</b>

**repair kits**

Description	Part #	Price/E
trigger, pin	<b>1250TK</b>	<b>POR</b>
plunger, O-rings, valve seal, valve base, valve plate	<b>1250SK</b>	<b>POR</b>

## Hose Swivels

**Features:**

- for use with petroleum and home heating oil hose
- prevents hose twisting or kinking

### Hose Shank



Male NPT	Shank Size	Bronze Part #	Price/E
1½"	1½"	<b>1565U</b>	<b>\$153.20</b>

**repair kit**

Description	Part #	Price/E
replacement seal kit and retaining ring	<b>1500SK</b>	<b>POR</b>

## Heavy Duty

**Features:**

- male NPT x female NPT threaded connections
- heavy duty internal thrust bearing and anti-friction seal design ensures swiveling at **-40°F**
- can be lubricated without disassembly by using the optional grease fitting kit



Male NPT	Female NPT	Aluminum Part #	Price/E
1¼"	1¼"	<b>SWMF125</b>	<b>\$204.70</b>
1½"	1½"	<b>SWMF150</b>	<b>204.70</b>
2"	2"	<b>SWMF200</b>	<b>228.75</b>

**repair kits**

Description	Part #	Price/E
swivel grease nipple kit	<b>SWMF-RK1</b>	<b>\$16.25</b>
swivel seal and wear kit	<b>SWMF-RK2</b>	<b>54.25</b>
complete swivel rebuild kit	<b>SWMF-RK3</b>	<b>118.80</b>
swivel seal and wear kit	<b>SWMF-RK22</b>	<b>32.05</b>
complete rebuild kit	<b>SWMF-RK32</b>	<b>117.25</b>

## Hose Swivels

**Features:**

- Allows the hose to relax to it's natural rest position while allowing freedom of movement without adding torque stress at the point of connection.
- simple design, low maintenance - consists of 2 body halves, ball bearings and a washer
- male NPT x female NPT threaded connections
- FKM seals standard, Chemraz® and Kalrez® optional
- working pressure: **150 PSI**
- maximum temperature: **300°F (149°C)**



Size	316 Stainless Steel		Aluminum	
	Part #	Price/E	Part #	Price/E
¾"	<b>HS075SS</b>	<b>\$684.45</b>	<b>HS075AL</b>	<b>\$315.60</b>
1"	<b>HS100SS</b>	<b>684.45</b>	<b>HS100AL</b>	<b>315.60</b>
1½"	<b>HS150SS</b>	<b>713.60</b>	<b>HS150AL</b>	<b>370.55</b>
2"	<b>HS200SS</b>	<b>713.60</b>	<b>HS200AL</b>	<b>370.55</b>
3"	<b>HS300SS</b>	<b>1513.10</b>	<b>HS300AL</b>	<b>876.30</b>
4"	<b>HS400SS</b>	<b>2926.25</b>	<b>HS400AL</b>	<b>1695.40</b>

S

## Dixon Diesel and Gasoline Nozzles

### FuelMaster™ Diesel Nozzles



**Features:**

- Provides the high flow capacity required by many truck stops and terminal operations.
- Micro-touch valve provides smooth operation and exceptional flow control.
- super tough nylon hand guard and hold-open clip
- easy to change 'locknut style' spout assembly
- green scuff guard

- automatic shutoff
- Underwriter's Listed
- not designed for use with small 12 volt pumps, AC utility pumps, farm pumps or consumer pumps
- *These nozzles are not to be used with gravity flow tanks.*



diesel nozzle  
DFN100HF



diesel nozzle  
DFN100SF

NPT Inlet	Spout Outlet	Weight (lbs)	Approximate Flow Rate at 20 PSI (GPM)	Part #	Price/E
1"	1-3/16"	3.5	30	<b>DFN100HF</b>	<b>\$212.50</b>
1"	1-3/16"	3.6	45	<b>DFN100SF</b>	<b>295.50</b>

### Big Mouth™ Diesel Nozzle



**Features:**

- Micro-touch valve allows precise flow control
- Roto-matic latch pin provides positive auto shut-off
- pure PTFE packing eliminates stem leaks
- Super tough nylon hold-open clip and hand guard bend, but won't break.
- Snap-on handle cover makes changing scuff guards easy.

- yellow scuff guard
- automatic shutoff
- Underwriter's Listed
- not designed for use with small 12 volt pumps, AC utility pumps, farm pumps or consumer pumps
- *This nozzle is not to be used with gravity flow tanks.*



NPT Inlet	Spout Outlet	Weight (lbs)	Approximate Flow Rate at 20 PSI (GPM)	Part #	Price/E
1"	1 1/8"	3	20	<b>DFN100</b>	<b>\$167.00</b>

### Farm and Consumer Nozzles



**Features:**

- Automatic fuel nozzle designed for use with small 12 volt and AC utility pumps as well as large farm and consumer pumps.
- Heavy duty, stronger and more secure hook makes it easy to hang the nozzle on the pump.

- black scuff guard on gasoline nozzle, green scuff guard on diesel nozzle
- Underwriter's Listed
- automatic shutoff
- *These nozzles are not to be used with gravity flow tanks.*



gasoline nozzle



diesel nozzle

NPT Inlet	Spout Outlet	Weight (lbs)	Approximate Flow Rate at 20 PSI (GPM)	Service	Part #	Price/E
3/4"	13/16"	2 1/2	14	gasoline	<b>DN7UOBF</b>	<b>\$120.80</b>
3/4"	15/16"	2 1/2	14	diesel	<b>DN7LOBF</b>	<b>120.80</b>

### DEF Automatic Shutoff Nozzle



**Features:**

- Automatic shutoff nozzle designed for diesel exhaust fluid.
- aluminum body double coated inside and out with PTFE baked on at 500°F

- stainless steel spout
- maximum operating pressure: **50 PSI**
- wetted parts: stainless, acetal, PTFE
- FKM-A seals



BSPP Inlet	Spout Outlet	Weight (lbs)	Approximate Flow Rate at 20 PSI (GPM)	Part #	Price/E
3/4"	13/16"	2 1/2	14	<b>DEFN075</b>	<b>\$484.85</b>



## Fuel Nozzle Part Number Cross Reference

Dixon	M. Carder	OPW	Emco	Husky	Catlow
DN7UOBF	N7UOBF	1AF-40FS	A2501F	XSF-33704	NENLF
DN7LOBF	N7LOBF	11APF-40FS	A2501LF	---	NELF
DFN100HF	N4-Fuelmaster	7H	A6000	V111-173310	MAX1
DFN100	N3-BigMouth	N/A	N/A	1HS.026810	MAC-1AH


## Dixon High Flow Fuel Nozzles Fueler 100™ Nozzles



**Application:**

for fueling trucks, buses, off-road equipment and fuel oil delivery

**Features:**

- These nozzles are not to be used with gravity flow tanks. 
- machined grooves in the spout are designed to hold nozzle more securely in the fill pipe
- high flow, heavy duty automatic nozzle

NPT Inlet	Spout Size	Wt (lbs)	Approx. Flow Rate at 20 PSI (GPM)	Part #	Price/E
1½"	1¾"	6.9	50	<b>DNOG6</b>	<b>\$766.80</b>
				<b>DNOG6RB</b>	<b>545.25</b>

rebuilt Fueler 100™ nozzle

## Dixon Diesel and Gasoline Nozzles Accessories

### Single Plane Hose Swivels



**Features:**

- aluminum body
- brass hex nut prevents galling in the nozzle
- Viton® / Buna seals
- nylon cord retainer
- ¾" are Underwriter's Listed

Size	Part #	Price/E
¾" x ¾"	<b>DAWS34</b>	<b>\$45.00</b>
1" x 1"	<b>DAWS10</b>	<b>70.25</b>

### Breakaways



**Features:**

- aluminum body
- brass break rings (2)
- Buna seals
- unique ball valves seal both ends when separated
- design provides consistent and reliable performance
- lightweight
- easy to repair
- ¾" are Underwriter's Listed

Size	Part #	Separation Force (Lbs)	Price/E
¾"	<b>DAB34</b>	325	<b>\$68.60</b>
1"	<b>DAB1</b>	325	<b>141.00</b>

**Application:**

Provides breakaway protection for high capacity fueling operations such as truck and bus terminals, mining, off-road fueling and fuel oil delivery.

**Features:**

- nickel plated aluminum body
- brass break rings: 4 in 1¼" and 1½"; 6 in the 2"
- Viton® / Buna seals
- check valve - PTFE ball seals both ends when separated

Size	Part #	Separation Force (Lbs)	Price/E
1¼"	<b>DAB14</b>	600	<b>\$884.00</b>
1½"	<b>DAB15</b>	600	<b>884.00</b>
2"	<b>DAB2</b>	800	<b>1796.40</b>



S

## Full Flow Ball Valves

**Features:**

- high flow rate; low pressure drop
- wetted parts are aluminum and stainless steel
- FPM seals
- spindle can be disassembled even when ball valve is installed
- working pressure: **150 PSI** at ambient temperature (70°F)
- standard valve ports - female NPT, socket weld for Schedule 40 pipe and grooved
- optional ports include DN flange, butt weld and 150# flange, contact Dixon for details
- two ports - one inlet and one outlet

### One-Way Valves with Female NPT ends

Size	Aluminum	
	Part #	Price/E
2"	<b>1WAYBV200</b>	<b>\$790.00</b>
3"	<b>1WAYBV300</b>	<b>1050.00</b>
4"	<b>1WAYBV400</b>	<b>1520.00</b>



### One-Way with Socket Weld End to Schedule 40 Pipe

Size	Bore	Aluminum	
		Part #	Price/E
2"	2.390"	<b>1WAYBV200SW</b>	<b>\$816.50</b>
3"	3.530"	<b>1WAYBV300SW</b>	<b>1085.75</b>



### One-Way with Grooved Ends

Size	Aluminum	
	Part #	Price/E
2"	<b>1WAYBV200VIC</b>	<b>\$1080.00</b>
3"	<b>1WAYBV300VIC</b>	<b>1699.00</b>





## Full Flow Ball Valves

**Features:**

- high flow rate; low pressure drop
- wetted parts are aluminum and stainless steel
- FPM seals
- spindle can be disassembled even when ball valve is installed
- working pressure: **150 PSI** at ambient temperature (70°F)
- standard valve ports - female NPT, socket weld for Schedule 40 pipe and grooved
- optional ports include DN flange, butt weld and 150# flange, contact Dixon for details
- three ports - one inlet and two outlets, valve directs the flow from the inlet to either of the two outlets
- commonly used for switching compartments or tanks

### Two-Way with Female NPT ends



Size	Aluminum	
	Part #	Price/E
2"	<b>2WAYBV200</b>	<b>\$1100.00</b>
3"	<b>2WAYBV300</b>	<b>1370.00</b>
4"	<b>2WAYBV400</b>	<b>3070.00</b>

### Two-Way with Socket Weld End to Schedule 40 Pipe



Size	Bore	Aluminum	
		Part #	Price/E
2"	2.390"	<b>2WAYBV200SW</b>	<b>\$1140.00</b>
3"	3.530"	<b>2WAYBV300SW</b>	<b>1464.25</b>

### Two-Way with Grooved Ends



Size	Aluminum	
	Part #	Price/E
2"	<b>2WAYBV200VIC3</b>	<b>\$1490.00</b>
3"	<b>2WAYBV300VIC3</b>	<b>2495.00</b>

S

## Automatic Pressure / Vacuum Relief Caps

**Features:**

- normally closed, stops fuel evaporation and airborne contaminants
- lockable
- relieves both pressure and vacuum buildup in fuel tanks
- two styles available, choose for stationary or mobile fuel storage tanks as listed below



Note: Pressure/vacuum relief caps should be routinely inspected to ensure correct operation and particularly to ensure that the relieving components are free to move and that the air flow path is unblocked.

### For stationary fuel tanks

**Feature:**

- relieves vacuum at .7 Hg (.33 PSI) and pressure at 2 PSI, 20 SCFM flow

Male NPT	Zinc	
	Part #	Price/E
2"	<b>2000L</b>	<b>\$45.85</b>
2½"	<b>2500L</b>	<b>48.30</b>



### For mobile fuel tanks

**Feature:**

- relieves vacuum relief at 1" Hg (.5 psig), and pressure at between 7.5 and 9 psig

Male NPT	Zinc	
	Part #	Price/E
2"	<b>200-PV-9</b>	<b>\$99.90</b>



## Standard Vent Cap

**Features:**

- allows venting of tank to atmosphere at all times
- also referred to as a breather cap
- aluminum body
- does not have pressure or vacuum valves

Male NPT	Aluminum	
	Part #	Price/E
2½"	<b>2500SFV</b>	<b>\$43.20</b>

