

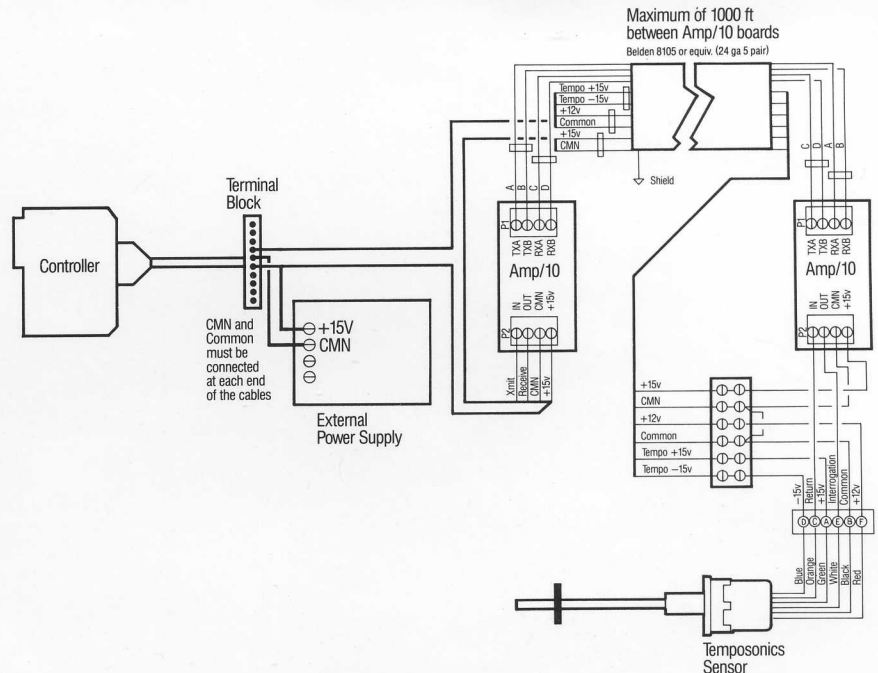
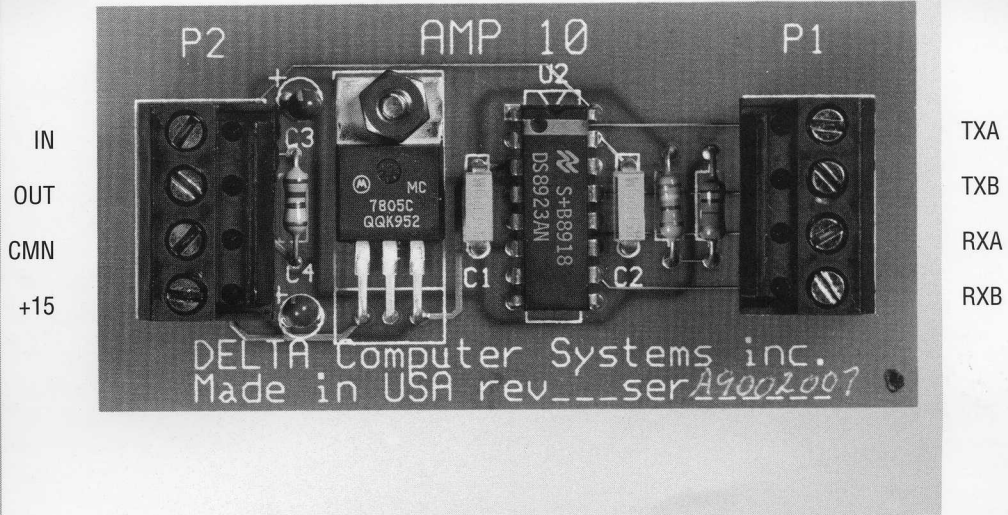
AMP/10 SIGNAL AMPLIFIER

DELTA

COMPUTER SYSTEMS, INC.

Key Features:

- Permits Temposonics™ sensor to be placed up to 1000 feet from controller.
- RS-422 signals for high noise immunity.
- No additional power supplies required.
- Fits standard 3-inch rails.
- Small size — 1.5 x 3.0 inches.
- Compatible with Temposonics II RPM card.



Typical Wiring for Amp/10 Signal Amplifiers

11719 NE 95th Street, Suite D
Vancouver, Washington USA 98682
(360) 254-8688 FAX: 254-5435