

# Hydraulic Valve Manifolds Better System Design Begins with a Manifold.

## SUBPLATES

D02 Subplates	Page 101
D03 Subplates	Pages 102-105
D05 Subplates	Pages 106-112
D07 Subplates	Pages 113-114
D08 Subplates	Pages 115-116
D10 Subplates	Page 117
2F06 Subplates	Page 118
2F07 Subplates	Page 118
P06 Subplates	Page 119
P08 Subplates	Page 119
P10 Subplates	Page 119
R06 Subplates	Page 120
R08 Subplates	Page 120
R10 Subplates	Page 120
I08 Subplates	Page 120
I10 Subplates	Page 120
Mounting Hardware	Pages 121-123

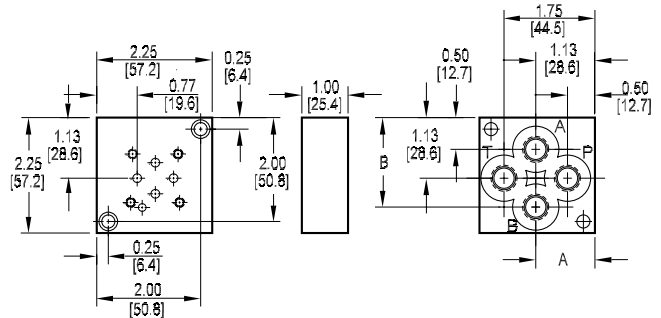
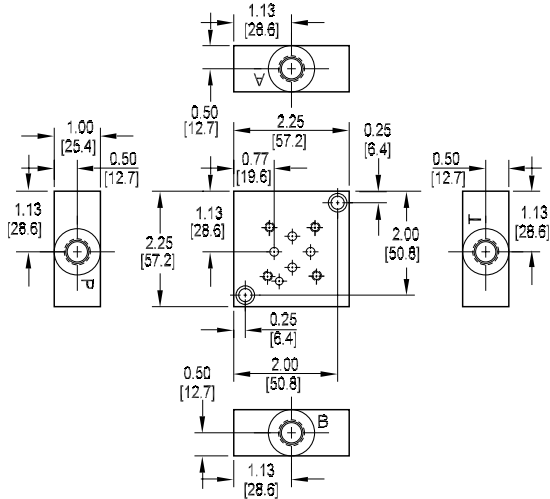
# D02 Subplates

## Side Ported Subplate

Valve mtg: UNC #10-24 x 0.56 DP or  
Metric M5-0.8mm ISO 6H x [14] DP  
Subplate hardware kit is supplied.  
See page 121 for itemized list.

## Back Ported Subplate

Valve mtg: UNC #10-24 x 0.56 DP or  
Metric M5-0.8mm ISO 6H x [14] DP  
Subplate mounting hardware is supplied.  
See page 121 for itemized list.



Dimension	A	B
*D02SPB4P	1.22 [31.0]	1.88 [47.6]
*D02SPB4T		
*D02SPB4S	1.13 [28.6]	1.75 [44.5]
*D02SPB4B		
*D02SPB4M		

Specifications, descriptions, and dimensional data are subject to correction or change without notice or incurring obligation. Download latest catalog page revisions at [www.daman.com](http://www.daman.com).

# Ordering Information



Material	
<b>A</b>	Aluminum - 6061-T6 3000† psi • 20.7 MPa
<b>D</b>	Ductile Iron - D4512 5000† psi • 34.5 MPa

† Working pressure should be considered in accordance with ISO 4413 to determine appropriate material type.

Product Type	
<b>SP</b>	Subplate

Port Location	
<b>S</b>	Side ported
<b>B</b>	Back Ported

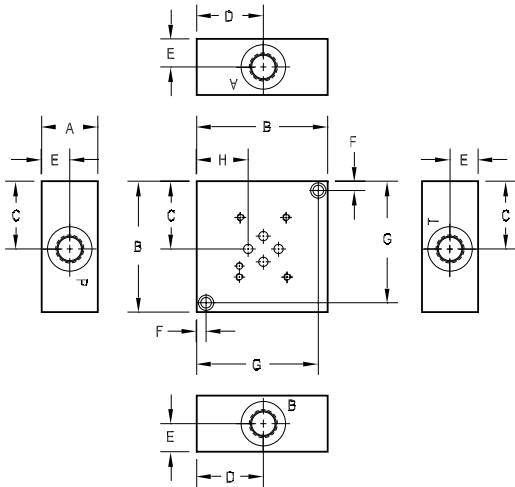
Port Threads	
<b>4P</b>	0.25-18 NPTF ANSI B1.20.3
<b>4S</b>	-4 SAE ISO 11926; SAE 1926
<b>4B</b>	0.25-19 BSPP ISO 1179; BS 2779
<b>4M</b>	M10 x 1.0 ISO 6149
<b>4T</b>	0.25-19 BSPT ISO 7; BS 21

Valve Pattern	
<b>D02</b>	ISO 4401-02-01 NFFPA T3.5.1-D02 See Tech Information

# D03 Subplates

## Side Ported Subplate

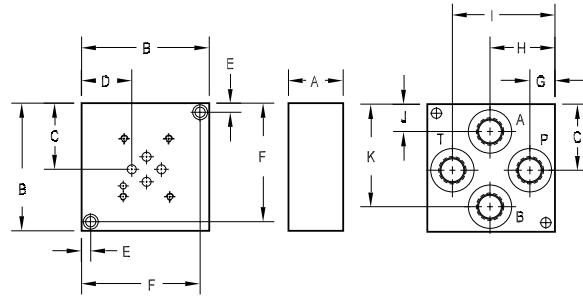
Valve mtg: UNC #10-24 x 0.63 DP or  
Metric M5-0.8mm ISO 6H x [16] DP  
Subplate hardware kit is supplied.  
See page 121 for itemized list.



Dimension	A	B	C	D	E	F	G	H
*D03SPS4P	1.00	2.50	1.31	1.25	0.50	0.25	2.25	0.88
*D03SPS6*	[25.4]	[63.5]	[33.3]	[31.8]	[12.7]	[6.4]	[57.2]	[22.4]
*D03SPS8*	1.50	3.50	1.81	1.78	0.75	0.25	3.25	1.38
	[38.1]	[88.9]	[46.0]	[45.2]	[19.1]	[6.4]	[82.6]	[34.9]
*D03SPS12*	1.75	4.00	2.06	2.03	0.88	0.38	3.63	1.63
	[44.5]	[101.6]	[52.4]	[51.6]	[22.2]	[9.5]	[92.1]	[41.3]

## Back Ported Subplate

Valve mtg: UNC #10-24 x 0.63 DP or  
Metric M5-0.8mm ISO 6H x [16] DP  
Subplate hardware kit is supplied.  
See page 121 for itemized list.



Dimension	A	B	C	D	E	F	G	H	I	J	K
*D03SPB4P	1.00	2.50	1.31	0.88	0.25	2.25	0.66	1.28	1.91	0.75	1.88
	[25.4]	[63.5]	[33.3]	[22.4]	[6.4]	[57.2]	[16.7]	[32.5]	[48.4]	[19.1]	[47.6]
*D03SPB6B	1.00	2.50	1.25	0.84	0.25	2.25	0.51	1.25	1.98	0.52	1.97
	[25.4]	[63.5]	[31.8]	[21.4]	[6.4]	[57.2]	[13.0]	[31.8]	[50.4]	[13.2]	[50.0]
*D03SPB6[M,P,S,T]	1.00	2.50	1.31	0.88	0.25	2.25	0.59	1.28	1.97	0.69	1.94
	[25.4]	[63.5]	[33.3]	[22.4]	[6.4]	[57.2]	[15.1]	[32.5]	[50.0]	[17.5]	[49.2]
*D03SPB8*	1.50	3.50	1.81	1.38	0.25	3.25	0.69	1.78	2.81	0.75	2.81
	[38.1]	[88.9]	[46.0]	[34.9]	[6.4]	[82.6]	[17.5]	[45.2]	[71.4]	[19.1]	[71.4]
*D03SPB12*	1.50	4.50	2.31	1.88	0.38	4.13	0.94	2.28	3.56	0.94	3.56
	[38.1]	[114.3]	[58.8]	[47.6]	[9.5]	[104.8]	[23.8]	[57.9]	[90.5]	[23.8]	[90.5]

Specifications, descriptions, and dimensional data are subject to correction or change without notice or incurring obligation.  
Download latest catalog page revisions at [www.daman.com](http://www.daman.com).

# Ordering Information

Material	Valve Pattern	Product Type	Port Location	Port Threads
----------	---------------	--------------	---------------	--------------

Material	
<b>A</b>	Aluminum - 6061-T6 3000 <sup>†</sup> psi • 20.7 MPa
<b>D</b>	Ductile Iron - D4512 5000 <sup>†</sup> psi • 34.5 MPa

<sup>†</sup> Working pressure should be considered in accordance with ISO 4413 to determine appropriate material type.

Product Type	
<b>SP</b>	Subplate

Port Location	
<b>S</b>	Side ported
<b>B</b>	Back Ported

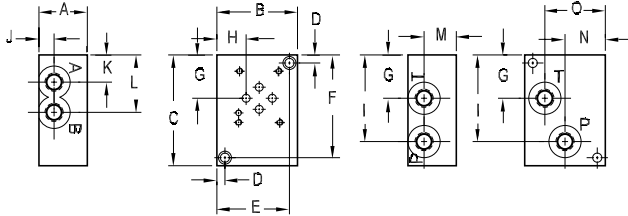
Valve Pattern	
<b>D03</b>	ISO 4401-03-02 NFFPA T3.5.1-D03 See Tech Information

Port Threads					
<b>4P</b>	0.25-18 NPTF ANSI B1.20.3				
<b>6P</b>	0.38-18 NPTF ANSI B1.20.3	<b>8P</b>	0.50-14 NPTF ANSI B1.20.3	<b>12P</b>	0.75-14 NPTF ANSI B1.20.3
<b>6S</b>	-6 SAE ISO 11926; SAE 1926	<b>8S</b>	-8 SAE ISO 11926; SAE 1926	<b>12S</b>	-12 SAE ISO 11926; SAE 1926
<b>6B</b>	0.38-19 BSPP ISO 1179; BS 2779	<b>8B</b>	0.50-14 BSPP ISO 1179; BS 2779	<b>12B</b>	0.75-14 BSPP ISO 1179; BS 2779
<b>6M</b>	M14 x 1.5 ISO 6149	<b>8M</b>	M18 x 1.5 ISO 6149	<b>12M</b>	M27 x 2.0 ISO 6149
<b>6T</b>	0.38-19 BSPT ISO 7; BS 21	<b>8T</b>	0.50-14 BSPT ISO 7; BS 21	<b>12T</b>	0.75-14 BSPT ISO 7; BS 21

# D03 Subplates

## Dual Ported Subplate

Valve mtg: UNC #10-24 x 0.50 DP or  
Metric M5-0.8mm ISO 6H x [12.7] DP  
Subplate hardware kit is supplied.  
See page 121 for itemized list.

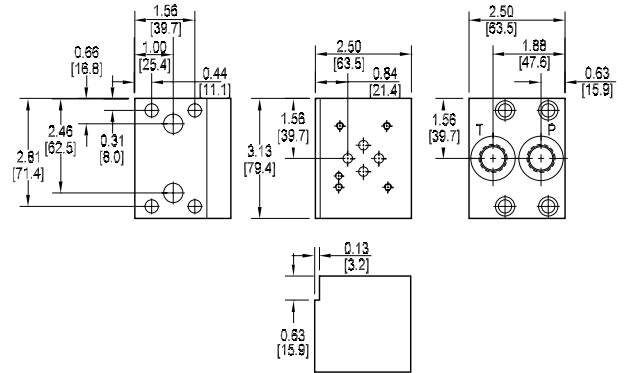


Dimension	A	B	C	D	E	F	G	H
*D03SPSB6*	1.50 [38.1]	2.50 [63.5]	3.44 [87.4]	0.25 [6.4]	2.25 [57.2]	3.19 [81.0]	1.34 [34.0]	0.91 [23.1]
*D03SPSB8*	2.00 [50.8]	2.75 [69.9]	3.75 [95.3]	0.25 [6.4]	2.50 [63.5]	3.50 [88.9]	1.34 [34.0]	0.91 [23.1]

Dimension	I	J	K	L	M	N	O
*D03SPSB6B	2.69 [68.3]	0.50 [12.7]	0.72 [18.3]	1.78 [45.2]	1.00 [25.4]	1.25 [31.8]	1.88 [47.8]
*D03SPSB6[M,P,S,T]	2.69 [68.3]	0.47 [11.9]	0.84 [21.4]	1.78 [45.2]	1.00 [25.4]	1.25 [31.8]	1.88 [47.8]
*D03SPSB8B	3.00 [76.2]	0.88 [22.2]	0.69 [17.5]	1.97 [50.0]	1.38 [34.9]	1.44 [36.5]	1.94 [49.2]
*D03SPSB8[M,P,S,T]	3.00 [76.2]	0.88 [22.2]	0.69 [17.5]	1.94 [49.2]	1.38 [34.9]	1.44 [36.5]	1.94 [49.2]

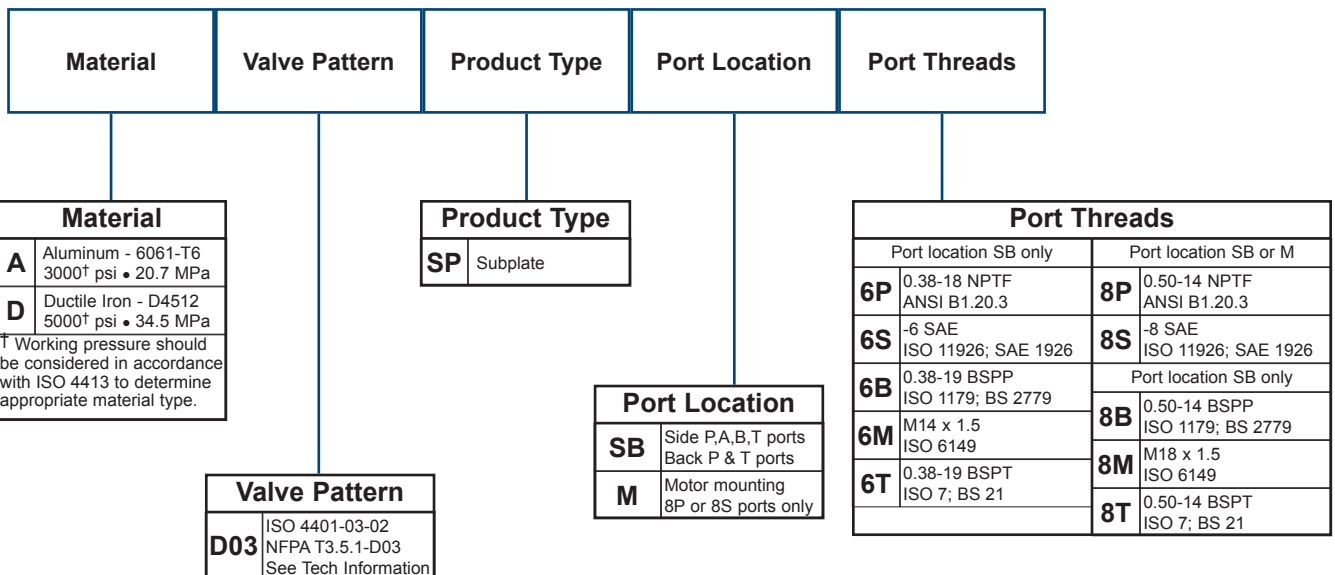
## Motor Mounted Subplate

Available with NPTF or SAE ports only.  
Valve mtg: UNC #10-24 x 0.63 DP  
Subplate hardware kit is supplied.  
See page 121 for itemized list.



Specifications, descriptions, and dimensional data are subject to correction or change without notice or incurring obligation. Download latest catalog page revisions at [www.daman.com](http://www.daman.com).

# Ordering Information

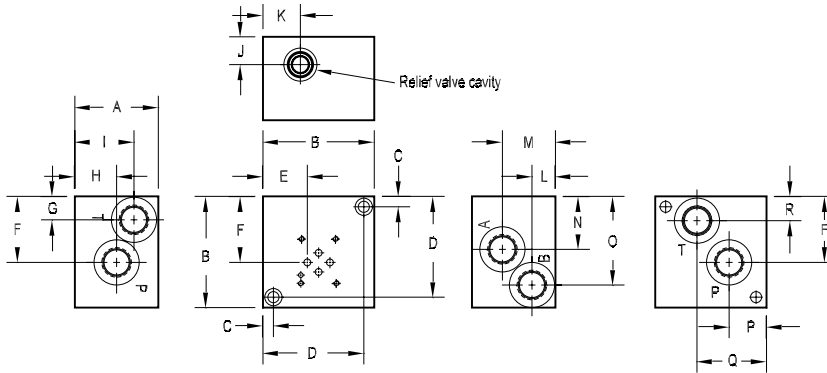


# D03 Subplates with Relief Cavity

## Dual Ported Subplate with Main Relief Cavity

Valve mtg: UNC #10-24 x 0.63 DP or  
Metric M5-0.8mm ISO 6H x [16] DP

Subplate hardware kit is supplied.  
See page 121 for itemized list.



Dimension	A	B	C	D	E	F	G	H	I	J	K	L	M	N	O	P	Q	R
*D03SPRV*6*	2.25 [57.2]	3.00 [76.2]	0.31 [7.9]	2.69 [68.3]	0.97 [24.6]	2.00 [50.8]	0.69 [17.5]	1.66 [42.1]	1.66 [42.1]	0.88 [22.2]	0.84 [21.3]	0.88 [22.2]	1.63 [41.3]	1.53 [38.9]	2.37 [60.2]	0.97 [24.6]	1.69 [42.9]	0.69 [17.5]
*D03SPRV*8*	3.00 [76.2]	3.50 [88.9]	0.38 [9.5]	3.12 [79.4]	1.34 [34.1]	2.19 [55.6]	0.81 [20.6]	1.50 [38.1]	2.00 [50.8]	1.00 [25.4]	1.09 [22.8]	0.84 [21.4]	1.91 [48.4]	1.72 [43.6]	2.53 [64.3]	1.09 [22.8]	2.25 [57.2]	0.81 [20.6]
*D03SPRV*12*	3.00 [76.2]	4.00 [101.6]	0.38 [9.5]	3.63 [92.1]	1.59 [40.5]	2.38 [60.3]	0.84 [21.4]	1.50 [38.1]	2.13 [54.0]	1.00 [25.4]	1.34 [34.1]	0.84 [21.4]	1.91 [48.4]	1.91 [48.4]	3.19 [81.0]	1.34 [34.1]	2.50 [63.5]	0.88 [22.2]

Specifications, descriptions, and dimensional data are subject to correction or change without notice or incurring obligation. Download latest catalog page revisions at [www.daman.com](http://www.daman.com).

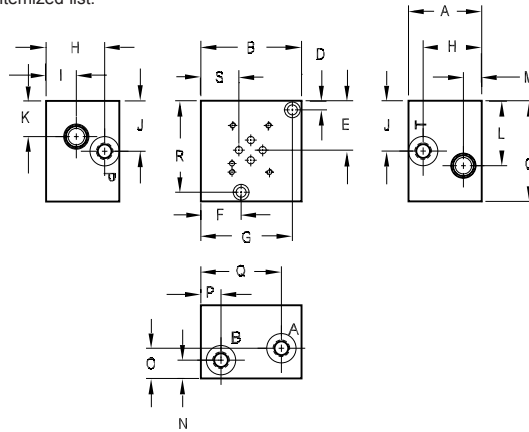
## Ordering Information

Material	Valve Pattern	Product Type	Circuit	Relief Cavity	Port Threads																																																														
<table border="1"> <thead> <tr> <th colspan="2">Material</th> </tr> </thead> <tbody> <tr> <td><b>A</b></td> <td>Aluminum - 6061-T6 3000<sup>†</sup> psi • 20.7 MPa</td> </tr> <tr> <td><b>D</b></td> <td>Ductile Iron - D4512 5000<sup>†</sup> psi • 34.5 MPa</td> </tr> <tr> <td colspan="2"><sup>†</sup> Working pressure should be considered in accordance with ISO 4413 to determine appropriate material type.</td> </tr> </tbody> </table>	Material		<b>A</b>	Aluminum - 6061-T6 3000 <sup>†</sup> psi • 20.7 MPa	<b>D</b>	Ductile Iron - D4512 5000 <sup>†</sup> psi • 34.5 MPa	<sup>†</sup> Working pressure should be considered in accordance with ISO 4413 to determine appropriate material type.		<table border="1"> <thead> <tr> <th colspan="2">Valve Pattern</th> </tr> </thead> <tbody> <tr> <td><b>D03</b></td> <td>ISO 4401-03-02 NFPA T3.5.1-D03 See Tech Information</td> </tr> </tbody> </table>	Valve Pattern		<b>D03</b>	ISO 4401-03-02 NFPA T3.5.1-D03 See Tech Information	<table border="1"> <thead> <tr> <th colspan="2">Product Type</th> </tr> </thead> <tbody> <tr> <td><b>SP</b></td> <td>Subplate</td> </tr> </tbody> </table>	Product Type		<b>SP</b>	Subplate	<table border="1"> <thead> <tr> <th colspan="2">Circuit</th> </tr> </thead> <tbody> <tr> <td><b>RV</b></td> <td>Main Relief P to T</td> </tr> </tbody> </table>	Circuit		<b>RV</b>	Main Relief P to T	<table border="1"> <thead> <tr> <th colspan="2">Relief Cavity</th> </tr> </thead> <tbody> <tr> <td><b>C</b></td> <td>Common cavity C-10-2 (P in nose)</td> </tr> <tr> <td><b>S</b></td> <td>Sun Cavity T-10A (P in nose) See Tech Info for valves</td> </tr> </tbody> </table>	Relief Cavity		<b>C</b>	Common cavity C-10-2 (P in nose)	<b>S</b>	Sun Cavity T-10A (P in nose) See Tech Info for valves	<table border="1"> <thead> <tr> <th colspan="6">Port Threads</th> </tr> </thead> <tbody> <tr> <td><b>6P</b></td> <td>0.38-18 NPTF ANSI B1.20.3</td> <td><b>8P</b></td> <td>0.50-14 NPTF ANSI B1.20.3</td> <td><b>12P</b></td> <td>0.75-14 NPTF ANSI B1.20.3</td> </tr> <tr> <td><b>6S</b></td> <td>-6 SAE ISO 11926; SAE 1926</td> <td><b>8S</b></td> <td>-8 SAE ISO 11926; SAE 1926</td> <td><b>12S</b></td> <td>-12 SAE ISO 11926; SAE 1926</td> </tr> <tr> <td><b>6B</b></td> <td>0.38-19 BSPP ISO 1179; BS 2779</td> <td><b>8B</b></td> <td>0.50-14 BSPP ISO 1179; BS 2779</td> <td><b>12B</b></td> <td>0.75-14 BSPP ISO 1179; BS 2779</td> </tr> <tr> <td><b>6M</b></td> <td>M14 x 1.5 ISO 6149</td> <td><b>8M</b></td> <td>M18 x 1.5 ISO 6149</td> <td><b>12M</b></td> <td>M27 x 2.0 ISO 6149</td> </tr> <tr> <td><b>6T</b></td> <td>0.38-19 BSPT ISO 7; BS 21</td> <td><b>8T</b></td> <td>0.50-14 BSPT ISO 7; BS 21</td> <td><b>12T</b></td> <td>0.75-14 BSPT ISO 7; BS 21</td> </tr> </tbody> </table>	Port Threads						<b>6P</b>	0.38-18 NPTF ANSI B1.20.3	<b>8P</b>	0.50-14 NPTF ANSI B1.20.3	<b>12P</b>	0.75-14 NPTF ANSI B1.20.3	<b>6S</b>	-6 SAE ISO 11926; SAE 1926	<b>8S</b>	-8 SAE ISO 11926; SAE 1926	<b>12S</b>	-12 SAE ISO 11926; SAE 1926	<b>6B</b>	0.38-19 BSPP ISO 1179; BS 2779	<b>8B</b>	0.50-14 BSPP ISO 1179; BS 2779	<b>12B</b>	0.75-14 BSPP ISO 1179; BS 2779	<b>6M</b>	M14 x 1.5 ISO 6149	<b>8M</b>	M18 x 1.5 ISO 6149	<b>12M</b>	M27 x 2.0 ISO 6149	<b>6T</b>	0.38-19 BSPT ISO 7; BS 21	<b>8T</b>	0.50-14 BSPT ISO 7; BS 21	<b>12T</b>	0.75-14 BSPT ISO 7; BS 21
Material																																																																			
<b>A</b>	Aluminum - 6061-T6 3000 <sup>†</sup> psi • 20.7 MPa																																																																		
<b>D</b>	Ductile Iron - D4512 5000 <sup>†</sup> psi • 34.5 MPa																																																																		
<sup>†</sup> Working pressure should be considered in accordance with ISO 4413 to determine appropriate material type.																																																																			
Valve Pattern																																																																			
<b>D03</b>	ISO 4401-03-02 NFPA T3.5.1-D03 See Tech Information																																																																		
Product Type																																																																			
<b>SP</b>	Subplate																																																																		
Circuit																																																																			
<b>RV</b>	Main Relief P to T																																																																		
Relief Cavity																																																																			
<b>C</b>	Common cavity C-10-2 (P in nose)																																																																		
<b>S</b>	Sun Cavity T-10A (P in nose) See Tech Info for valves																																																																		
Port Threads																																																																			
<b>6P</b>	0.38-18 NPTF ANSI B1.20.3	<b>8P</b>	0.50-14 NPTF ANSI B1.20.3	<b>12P</b>	0.75-14 NPTF ANSI B1.20.3																																																														
<b>6S</b>	-6 SAE ISO 11926; SAE 1926	<b>8S</b>	-8 SAE ISO 11926; SAE 1926	<b>12S</b>	-12 SAE ISO 11926; SAE 1926																																																														
<b>6B</b>	0.38-19 BSPP ISO 1179; BS 2779	<b>8B</b>	0.50-14 BSPP ISO 1179; BS 2779	<b>12B</b>	0.75-14 BSPP ISO 1179; BS 2779																																																														
<b>6M</b>	M14 x 1.5 ISO 6149	<b>8M</b>	M18 x 1.5 ISO 6149	<b>12M</b>	M27 x 2.0 ISO 6149																																																														
<b>6T</b>	0.38-19 BSPT ISO 7; BS 21	<b>8T</b>	0.50-14 BSPT ISO 7; BS 21	<b>12T</b>	0.75-14 BSPT ISO 7; BS 21																																																														

# D03 Subplates with Relief Cavity

## Side Ported Subplate with Cylinder Port Crossover Relief Cavities

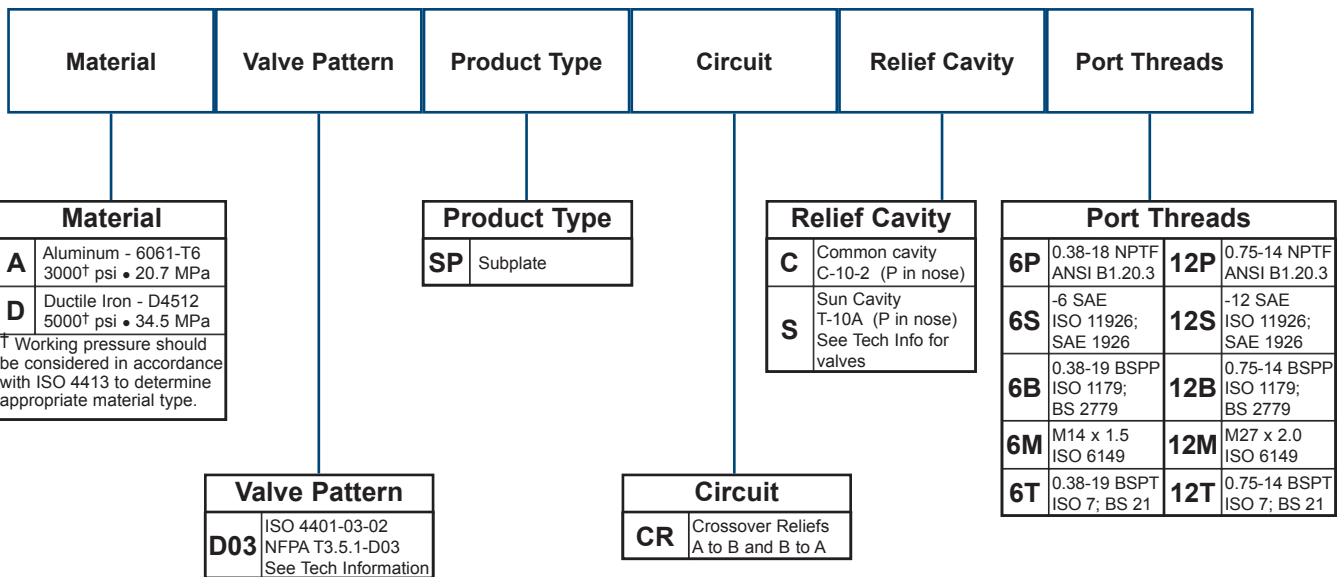
Valve mtg: UNC #10-24 x 0.63 DP or  
Metric M5-0.8mm ISO 6H x [16] DP  
Subplate hardware kit is supplied.  
See page 121 for itemized list.



Dimension	A	B	C	D	E	F	G	H	I	J	K	L	M	N	O	P	Q	R	S
*D03SPCR*6*	2.50 [63.5]	3.50 [88.9]	3.50 [88.9]	0.31 [7.9]	1.69 [42.9]	1.41 [35.7]	3.19 [81.0]	2.00 [50.8]	1.03 [26.2]	1.72 [43.7]	1.22 [31.0]	2.22 [56.4]	0.63 [16.0]	0.63 [16.0]	1.03 [26.2]	0.69 [17.5]	2.81 [71.4]	3.19 [81.0]	1.33 [33.7]
*D03SPCR*12*	4.00 [101.6]	5.00 [127.0]	4.50 [114.3]	0.38 [9.5]	2.00 [50.8]	2.50 [63.5]	2.50 [63.5]	3.00 [76.2]	1.25 [31.8]	2.00 [50.8]	1.50 [38.1]	2.50 [63.5]	1.00 [25.4]	1.25 [31.8]	1.38 [35.1]	1.00 [25.4]	4.00 [101.6]	4.13 [104.8]	2.06 [52.8]

Specifications, descriptions, and dimensional data are subject to correction or change without notice or incurring obligation. Download latest catalog page revisions at [www.daman.com](http://www.daman.com).

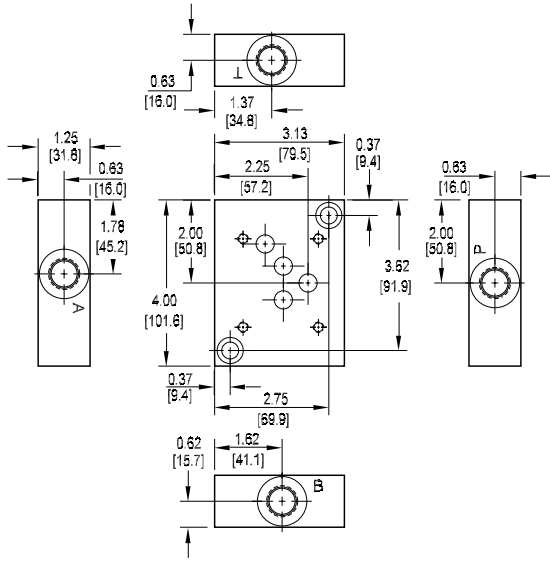
## Ordering Information



# D05 Subplates

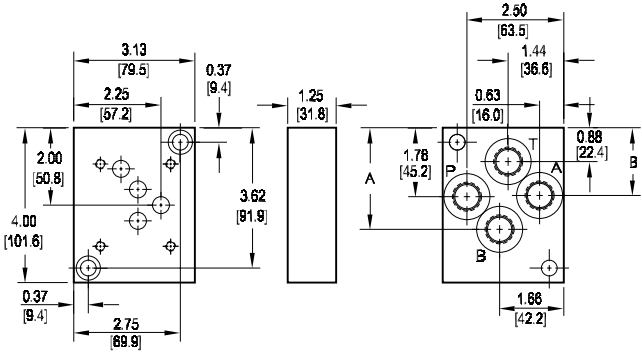
## Side Ported Subplate

Valve mtg: UNC 0.25-20 x 0.75 DP or  
Metric M6-1.0mm ISO 6H x [19.1] DP  
Subplate hardware kit is supplied.  
See page 121 for itemized list.



## Back Ported Subplate

Valve mtg: UNC 0.25-20 x 0.75 DP or  
Metric M6-1.0mm ISO 6H x [19.1] DP  
Subplate hardware kit is supplied.  
See page 121 for itemized list.



Dimension	A	B
*D05SPB6P	2.63 [66.8]	1.75 [44.5]
*D05SPB8B	2.94 [74.6]	2.00 [50.8]
*D05SPB8[M,P,S,T]	2.63 [66.8]	1.75 [44.5]

Specifications, descriptions, and dimensional data are subject to correction or change without notice or incurring obligation. Download latest catalog page revisions at [www.daman.com](http://www.daman.com).

# Ordering Information

Material	Valve Pattern	Product Type	Port Location	Port Threads
----------	---------------	--------------	---------------	--------------

Material	
<b>A</b>	Aluminum - 6061-T6 3000 <sup>†</sup> psi • 20.7 MPa
<b>D</b>	Ductile Iron - D4512 5000 <sup>†</sup> psi • 34.5 MPa

<sup>†</sup> Working pressure should be considered in accordance with ISO 4413 to determine appropriate material type.

Product Type	
<b>SP</b>	Subplate

Port Location	
<b>S</b>	Side ported
<b>B</b>	Back Ported

Port Threads	
<b>6P</b>	0.38-18 NPTF ANSI B1.20.3
<b>8P</b>	0.50-14 NPTF ANSI B1.20.3
<b>8S</b>	-8 SAE ISO 11926; SAE 1926
<b>8B</b>	0.50-14 BSPP ISO 1179; BS 2779
<b>8M</b>	M18 x 1.5 ISO 6149
<b>8T</b>	0.50-14 BSPT ISO 7; BS 21

Valve Pattern	
<b>D05</b>	ISO 4401-05-04 NFPA T3.5.1-D05 See Tech Information

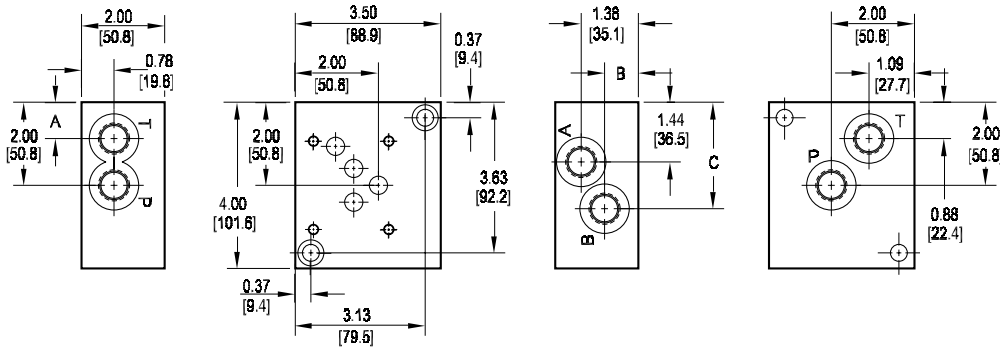
# D05 Subplates

## Dual Ported Subplate

Valve mtg: UNC 0.25-20 x 0.56 DP or  
Metric M6-1.0mm ISO 6H x [14.2] DP

Subplate hardware kit is supplied.

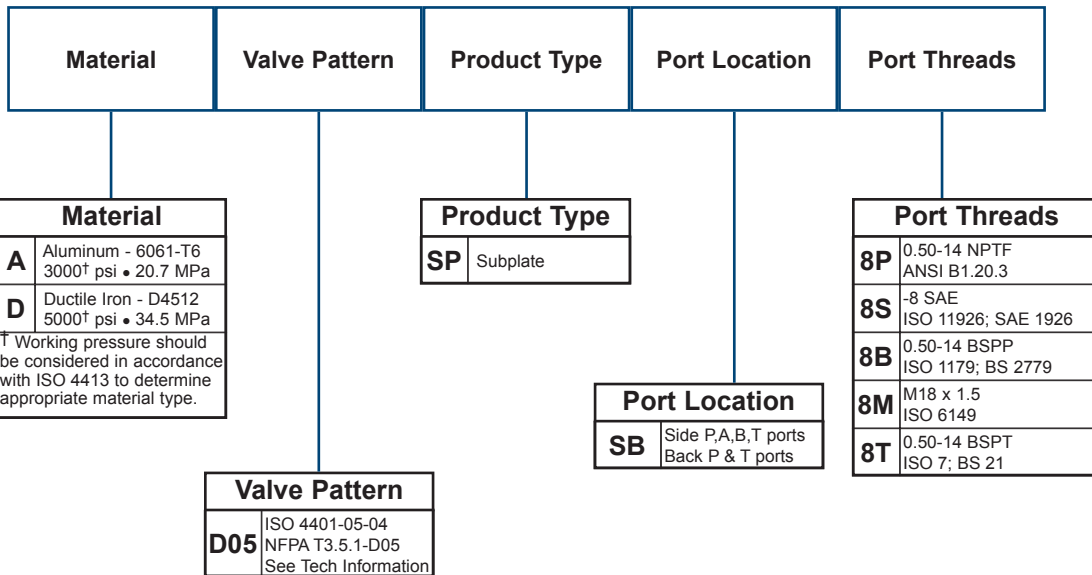
See page 121 for itemized list.



Dimension	A	B	C
*D05SPSB8B	0.66 [16.7]	0.78 [19.8]	2.81 [71.4]
*D05SPSB8[M,P,S,T]	0.88 [22.2]	1.38 [35.1]	2.56 [65.1]

Specifications, descriptions, and dimensional data are subject to correction or change without notice or incurring obligation. Download latest catalog page revisions at [www.daman.com](http://www.daman.com).

## Ordering Information



Material	
<b>A</b>	Aluminum - 6061-T6 3000† psi • 20.7 MPa
<b>D</b>	Ductile Iron - D4512 5000† psi • 34.5 MPa

† Working pressure should be considered in accordance with ISO 4413 to determine appropriate material type.

Product Type	
<b>SP</b>	Subplate

Port Location	
<b>SB</b>	Side P,A,B,T ports Back P & T ports

Port Threads	
<b>8P</b>	0.50-14 NPTF ANSI B1.20.3
<b>8S</b>	-8 SAE ISO 11926; SAE 1926
<b>8B</b>	0.50-14 BSPP ISO 1179; BS 2779
<b>8M</b>	M18 x 1.5 ISO 6149
<b>8T</b>	0.50-14 BSPT ISO 7; BS 21

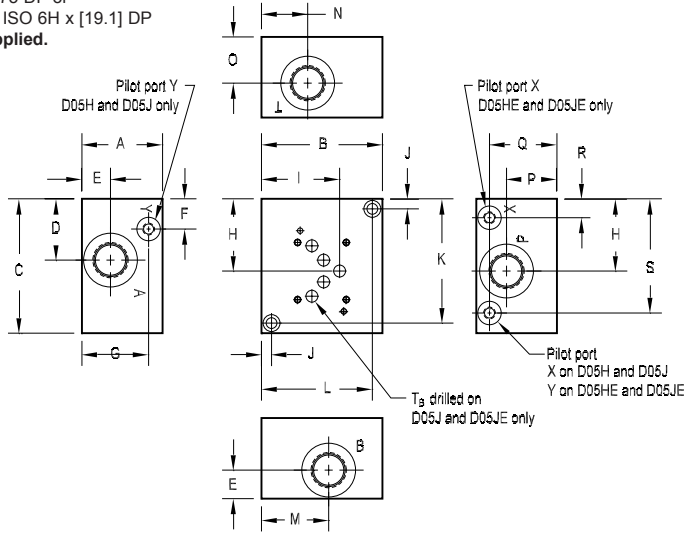
Valve Pattern	
<b>D05</b>	ISO 4401-05-04 NFFPA T3.5.1-D05 See Tech Information



# D05 High Flow Subplates with Pilot Ports

## Side Ported Subplate

Valve mtg: UNC 0.25-20 x 0.75 DP or  
Metric M6-1.0mm ISO 6H x [19.1] DP  
Subplate hardware kit is supplied.  
See page 121 for itemized list.



Dimension	A	B	C	D	E	F	G	H	I	J	K	L	M	N	O	P	Q	R	S		
*D05HSPS12*	1.75 [44.5]	3.75 [95.3]	4.75 [120.7]	2.13 [54.1]	0.88 [22.4]	0.81 [20.6]	0.88 [22.4]	2.37 [60.2]	2.53 [64.3]	0.38 [9.5]	4.37 [111.0]	3.38 [85.9]	1.88 [47.8]	1.88 [47.8]	0.88 [22.4]	0.88 [22.4]	0.88 [22.4]	0.88 [22.4]	0.44 [11.2]	1.00 [25.4]	3.94 [100.1]
*D05HESPS12*	1.75 [44.5]	3.75 [95.3]	4.75 [120.7]	2.13 [54.1]	0.88 [22.4]	--	--	2.37 [60.2]	2.53 [64.3]	0.38 [9.5]	4.37 [111.0]	3.38 [85.9]	1.88 [47.8]	1.88 [47.8]	0.88 [22.4]	0.88 [22.4]	0.44 [11.2]	1.00 [25.4]	3.94 [100.1]		
*D05JSPS16*	3.00 [76.2]	4.50 [114.3]	5.00 [127.0]	2.28 [57.9]	1.06 [27.0]	1.25 [31.8]	2.50 [63.5]	2.69 [68.3]	2.91 [73.8]	0.38 [9.5]	4.63 [117.5]	4.13 [104.8]	2.50 [63.5]	1.72 [43.7]	1.72 [43.7]	1.88 [47.6]	2.50 [63.5]	--	4.19 [106.4]		
*D05JESPS16*	3.00 [76.2]	4.50 [114.3]	5.00 [127.0]	2.28 [57.9]	1.06 [27.0]	--	--	2.69 [68.3]	2.91 [73.8]	0.38 [9.5]	4.63 [117.5]	4.13 [104.8]	2.50 [63.5]	1.72 [43.7]	1.72 [43.7]	1.88 [47.6]	2.25 [57.2]	1.13 [28.6]	4.25 [108.0]		

Specifications, descriptions, and dimensional data are subject to correction or change without notice or incurring obligation. Download latest catalog page revisions at [www.daman.com](http://www.daman.com).

## Ordering Information

Material	Valve Pattern	Product Type	Port Location	Port Threads
----------	---------------	--------------	---------------	--------------

Material	
<b>A</b>	Aluminum - 6061-T6 3000 <sup>†</sup> psi • 20.7 MPa
<b>D</b>	Ductile Iron - D4512 5000 <sup>†</sup> psi • 34.5 MPa

<sup>†</sup> Working pressure should be considered in accordance with ISO 4413 to determine appropriate material type.

Valve Pattern	
See Tech Information	
<b>D05H</b>	(USA std.) NFFPA T3.5.1-D05 Alt B High flow
<b>D05HE</b>	ISO 4401-05-05 NFFPA T3.5.1-D05 Alt A High flow
<b>D05J</b>	(USA std.) NFFPA T3.5.1-D05 Alt B Extra high flow
<b>D05JE</b>	ISO 4401-05-05 NFFPA T3.5.1-D05 Alt A Extra high flow

Port Location	
<b>S</b>	Side ported

P, T, A, B Port Threads			X & Y port size (reference)
D05H or D05HE only	D05J or D05JE only		
<b>12P</b> 0.75-14 NPTF ANSI B1.20.3	<b>16P</b> 1.00-11.5 NPTF ANSI B1.20.3		0.25-18 NPTF ANSI B1.20.3
<b>12S</b> -12 SAE ISO 11926; SAE 1926	<b>16S</b> -16 SAE ISO 11926; SAE 1926		-4 SAE ISO 11926; SAE 1926
<b>12B</b> 0.75-14 BSPP ISO 1179; BS 2779	<b>16B</b> 1.00-11 BSPP ISO 1179; BS 2779		0.25-19 BSPP ISO 1179; BS 2779
<b>12M</b> M27 x 2.0 ISO 6149	<b>16M</b> M33 x 2.0 ISO 6149		M10 x 1.0 ISO 6149
<b>12T</b> 0.75-14 BSPT ISO 7; BS 21	<b>16T</b> 1.00-11 BSPT ISO 7; BS 21		0.25-19 BSPT ISO 7; BS 21

Product Type	
<b>SP</b>	Subplate

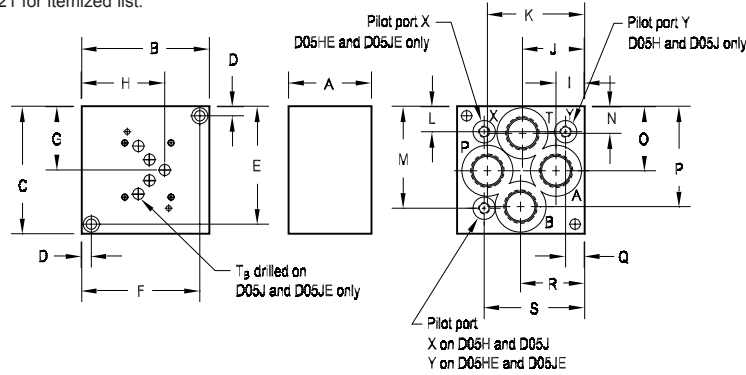
# D05 High Flow Subplates with Pilot Ports

## Back Ported Subplate

Valve mtg: UNC 0.25-20 x 0.75 DP or  
Metric M6-1.0mm ISO 6H x [19.1] DP

Subplate hardware kit is supplied.

See page 121 for itemized list.



Dimension	A	B	C	D	E	F	G	H	I	J	K	L	M	N	O	P	Q	R	S
*D05HSPB12*	1.75 [44.5]	4.50 [114.3]	4.75 [120.7]	0.38 [9.5]	4.38 [111.3]	4.13 [104.9]	2.37 [60.2]	2.91 [73.9]	1.13 [28.6]	2.19 [55.6]	3.31 [84.1]	0.88 [22.2]	3.88 [98.4]	1.13 [28.7]	2.38 [60.5]	3.56 [90.4]	0.59 [15.1]	2.25 [57.2]	3.56 [90.5]
*D05HESPB12*	1.75 [44.5]	4.50 [114.3]	4.75 [120.7]	0.38 [9.5]	4.38 [111.3]	4.13 [104.9]	2.37 [60.2]	2.91 [73.9]	1.13 [28.6]	2.25 [57.2]	3.31 [84.1]	0.81 [20.6]	3.94 [100.1]	1.13 [28.7]	2.38 [60.5]	3.56 [90.4]	--	2.25 [57.2]	3.50 [88.9]
*D05JSPB16B	3.25 [82.6]	5.00 [127.0]	5.00 [127.0]	0.38 [9.5]	4.63 [117.5]	4.63 [117.5]	2.50 [63.5]	3.25 [82.6]	1.00 [25.4]	2.44 [61.9]	3.84 [97.6]	0.88 [22.2]	4.13 [104.8]	1.00 [25.4]	2.53 [64.3]	4.00 [101.6]	0.75 [19.1]	2.44 [61.9]	4.25 [108.0]
*D05JSPB16[M,P,S,T]	3.25 [82.6]	5.00 [127.0]	5.00 [127.0]	0.38 [9.5]	4.63 [117.5]	4.63 [117.5]	2.50 [63.5]	3.25 [82.6]	1.13 [28.6]	2.44 [61.9]	3.81 [96.8]	1.06 [27.0]	4.00 [101.6]	1.06 [27.0]	2.53 [64.3]	3.94 [100.1]	0.75 [19.1]	2.44 [61.9]	3.94 [100.1]
*D05JESPB16*	3.25 [82.6]	5.00 [127.0]	5.00 [127.0]	0.38 [9.5]	4.63 [117.5]	4.63 [117.5]	2.50 [63.5]	3.25 [82.6]	1.00 [25.4]	2.44 [61.9]	3.84 [97.6]	1.06 [27.0]	4.00 [101.6]	1.06 [27.0]	2.53 [64.3]	4.00 [101.6]	--	2.44 [61.9]	3.94 [100.1]

Specifications, descriptions, and dimensional data are subject to correction or change without notice or incurring obligation. Download latest catalog page revisions at [www.daman.com](http://www.daman.com).

## Ordering Information



Material	
<b>A</b>	Aluminum - 6061-T6 3000 <sup>†</sup> psi • 20.7 MPa
<b>D</b>	Ductile Iron - D4512 5000 <sup>†</sup> psi • 34.5 MPa

<sup>†</sup> Working pressure should be considered in accordance with ISO 4413 to determine appropriate material type.

Valve Pattern	
See Tech Information	
<b>D05H</b>	(USA std.) NFPA T3.5.1-D05 Alt B High flow
<b>D05HE</b>	ISO 4401-05-05 NFPA T3.5.1-D05 Alt A High flow
<b>D05J</b>	(USA std.) NFPA T3.5.1-D05 Alt B Extra high flow
<b>D05JE</b>	ISO 4401-05-05 NFPA T3.5.1-D05 Alt A Extra high flow

Port Location	
<b>B</b>	Back ported

P, T, A, B Port Threads			
D05H or D05HE only		D05J or D05JE only	
<b>12P</b>	0.75-14 NPTF ANSI B1.20.3	<b>16P</b>	1.00-11.5 NPTF ANSI B1.20.3
<b>12S</b>	-12 SAE ISO 11926; SAE 1926	<b>16S</b>	-16 SAE ISO 11926; SAE 1926
<b>12B</b>	0.75-14 BSPP ISO 1179; BS 2779	<b>16B</b>	1.00-11 BSPP ISO 1179; BS 2779
<b>12M</b>	M27 x 2.0 ISO 6149	<b>16M</b>	M33 x 2.0 ISO 6149
<b>12T</b>	0.75-14 BSPT ISO 7; BS 21	<b>16T</b>	1.00-11 BSPT ISO 7; BS 21

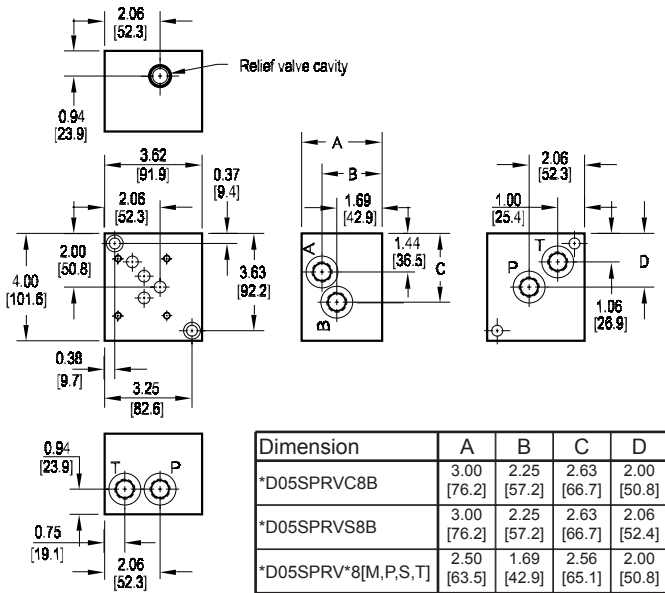
X & Y port size (reference)  
0.25-18 NPTF  
ANSI B1.20.3  
-4 SAE  
ISO 11926;  
SAE 1926  
0.25-19 BSPP  
ISO 1179;  
BS 2779  
M10 x 1.0  
ISO 6149  
0.25-19 BSPT  
ISO 7; BS 21

Product Type	
<b>SP</b>	Subplate

# D05 Subplates with Relief Cavity

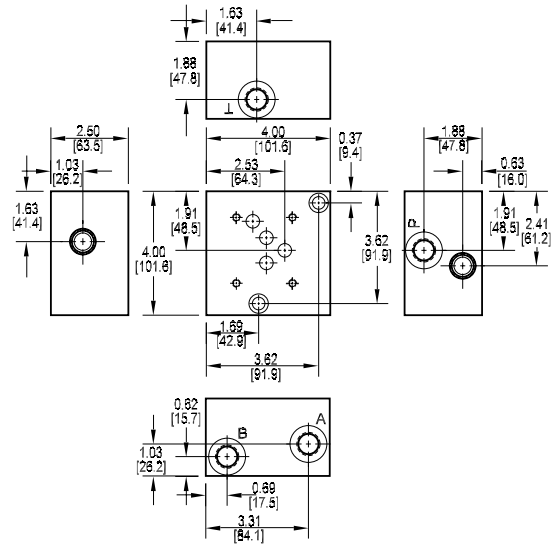
## Dual Ported Subplate with Main Relief Cavity

Valve mtg: UNC 0.25-20 x 0.75 DP or  
Metric M6-1.0mm ISO 6H x [19.1] DP  
Subplate hardware kit is supplied.  
See page 121 for itemized list.



## Side Ported Subplate with Cylinder Port Crossover Relief Cavities

Valve mtg: UNC 0.25-20 x 0.75 DP or  
Metric M6-1.0mm ISO 6H x [19.1] DP  
Subplate hardware kit is supplied.  
See page 122 for itemized list.



Specifications, descriptions, and dimensional data are subject to correction or change without notice or incurring obligation. Download latest catalog page revisions at [www.daman.com](http://www.daman.com).

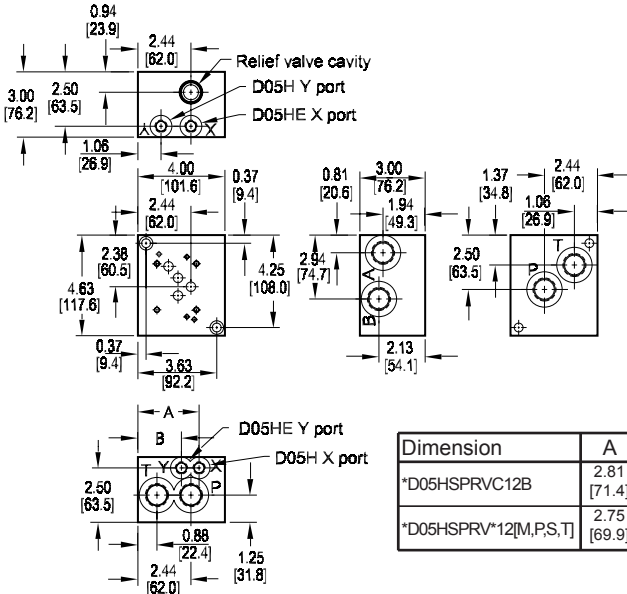
# Ordering Information

Material	Valve Pattern	Product Type	Circuit	Relief Cavity	Port Threads																																								
<table border="1"> <thead> <tr> <th colspan="2">Material</th> </tr> </thead> <tbody> <tr> <td><b>A</b></td> <td>Aluminum - 6061-T6 3000<sup>†</sup> psi • 20.7 MPa</td> </tr> <tr> <td><b>D</b></td> <td>Ductile Iron - D4512 5000<sup>†</sup> psi • 34.5 MPa</td> </tr> <tr> <td colspan="2"><sup>†</sup> Working pressure should be considered in accordance with ISO 4413 to determine appropriate material type.</td> </tr> </tbody> </table>	Material		<b>A</b>	Aluminum - 6061-T6 3000 <sup>†</sup> psi • 20.7 MPa	<b>D</b>	Ductile Iron - D4512 5000 <sup>†</sup> psi • 34.5 MPa	<sup>†</sup> Working pressure should be considered in accordance with ISO 4413 to determine appropriate material type.		<table border="1"> <thead> <tr> <th colspan="2">Valve Pattern</th> </tr> </thead> <tbody> <tr> <td><b>D05</b></td> <td>ISO 4401-05-04 NFPA T3.5.1-D05 See Tech Information</td> </tr> </tbody> </table>	Valve Pattern		<b>D05</b>	ISO 4401-05-04 NFPA T3.5.1-D05 See Tech Information	<table border="1"> <thead> <tr> <th colspan="2">Product Type</th> </tr> </thead> <tbody> <tr> <td><b>SP</b></td> <td>Subplate</td> </tr> </tbody> </table>	Product Type		<b>SP</b>	Subplate	<table border="1"> <thead> <tr> <th colspan="2">Circuit</th> </tr> </thead> <tbody> <tr> <td><b>RV</b></td> <td>Main Relief P to T</td> </tr> <tr> <td><b>CR</b></td> <td>Crossover Reliefs A to B and B to A</td> </tr> </tbody> </table>	Circuit		<b>RV</b>	Main Relief P to T	<b>CR</b>	Crossover Reliefs A to B and B to A	<table border="1"> <thead> <tr> <th colspan="2">Relief Cavity</th> </tr> </thead> <tbody> <tr> <td><b>C</b></td> <td>Common cavity C-10-2 (P in nose)</td> </tr> <tr> <td><b>S</b></td> <td>Sun Cavity T-10A (P in nose) See Tech Info for valves.</td> </tr> </tbody> </table>	Relief Cavity		<b>C</b>	Common cavity C-10-2 (P in nose)	<b>S</b>	Sun Cavity T-10A (P in nose) See Tech Info for valves.	<table border="1"> <thead> <tr> <th colspan="2">Port Threads</th> </tr> </thead> <tbody> <tr> <td><b>8P</b></td> <td>0.50-14 NPTF ANSI B1.20.3</td> </tr> <tr> <td><b>8S</b></td> <td>-8 SAE ISO 11926; SAE 1926</td> </tr> <tr> <td><b>8B</b></td> <td>0.50-14 BSPP ISO 1179; BS 2779</td> </tr> <tr> <td><b>8M</b></td> <td>M18 x 1.5 ISO 6149</td> </tr> <tr> <td><b>8T</b></td> <td>0.50-14 BSPT ISO 7; BS 21</td> </tr> </tbody> </table>	Port Threads		<b>8P</b>	0.50-14 NPTF ANSI B1.20.3	<b>8S</b>	-8 SAE ISO 11926; SAE 1926	<b>8B</b>	0.50-14 BSPP ISO 1179; BS 2779	<b>8M</b>	M18 x 1.5 ISO 6149	<b>8T</b>	0.50-14 BSPT ISO 7; BS 21
Material																																													
<b>A</b>	Aluminum - 6061-T6 3000 <sup>†</sup> psi • 20.7 MPa																																												
<b>D</b>	Ductile Iron - D4512 5000 <sup>†</sup> psi • 34.5 MPa																																												
<sup>†</sup> Working pressure should be considered in accordance with ISO 4413 to determine appropriate material type.																																													
Valve Pattern																																													
<b>D05</b>	ISO 4401-05-04 NFPA T3.5.1-D05 See Tech Information																																												
Product Type																																													
<b>SP</b>	Subplate																																												
Circuit																																													
<b>RV</b>	Main Relief P to T																																												
<b>CR</b>	Crossover Reliefs A to B and B to A																																												
Relief Cavity																																													
<b>C</b>	Common cavity C-10-2 (P in nose)																																												
<b>S</b>	Sun Cavity T-10A (P in nose) See Tech Info for valves.																																												
Port Threads																																													
<b>8P</b>	0.50-14 NPTF ANSI B1.20.3																																												
<b>8S</b>	-8 SAE ISO 11926; SAE 1926																																												
<b>8B</b>	0.50-14 BSPP ISO 1179; BS 2779																																												
<b>8M</b>	M18 x 1.5 ISO 6149																																												
<b>8T</b>	0.50-14 BSPT ISO 7; BS 21																																												

# D05 High Flow Subplates with Pilot Ports and Relief Cavity

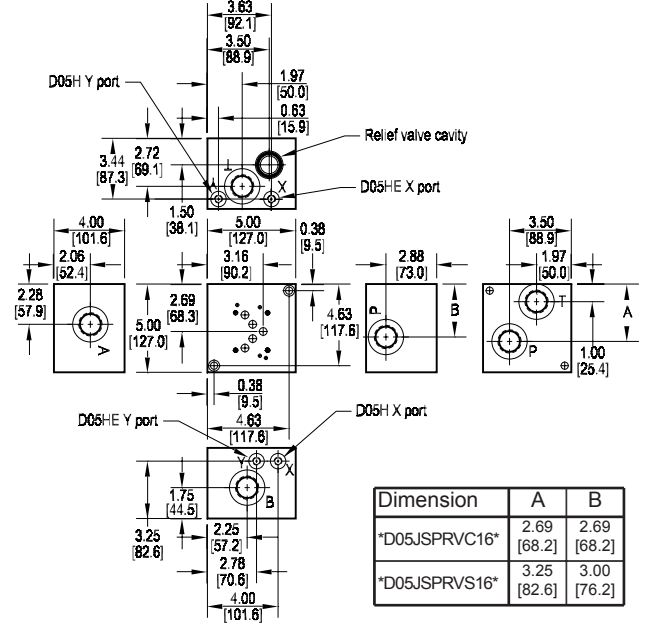
## D05H High Flow Subplate with Main Relief Cavity

Valve mtg: UNC 0.25-20 x 0.75 DP or Metric M6-1.0mm ISO 6H x [19.1] DP  
Subplate hardware kit is supplied. See page 121 for itemized list.



## D05J Extra High Flow Subplate with Main Relief Cavity

Valve mtg: UNC 0.25-20 x 0.75 DP or Metric M6-1.0mm ISO 6H x [19.1] DP  
Subplate hardware kit is supplied. See page 122 for itemized list.



Specifications, descriptions, and dimensional data are subject to correction or change without notice or incurring obligation. Download latest catalog page revisions at [www.daman.com](http://www.daman.com).

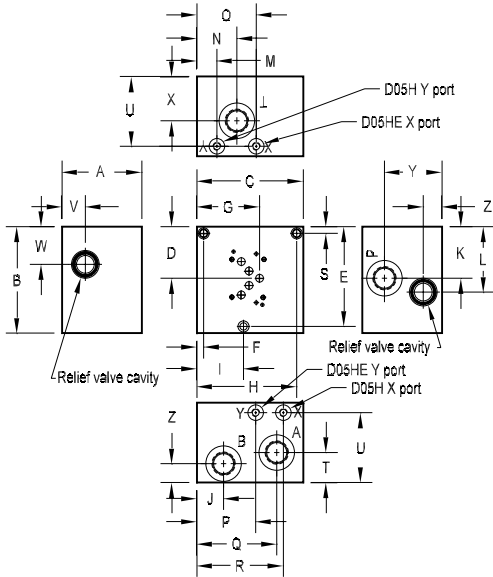
## Ordering Information

Material	Valve Pattern	Product Type	Circuit	Relief Cavity	Port Threads																																																	
<table border="1"> <thead> <tr> <th colspan="2">Material</th> </tr> </thead> <tbody> <tr> <td><b>A</b></td> <td>Aluminum - 6061-T6 3000† psi • 20.7 MPa</td> </tr> <tr> <td><b>D</b></td> <td>Ductile Iron - D4512 5000† psi • 34.5 MPa</td> </tr> </tbody> </table> <p>† Working pressure should be considered in accordance with ISO 4413 to determine appropriate material type.</p>	Material		<b>A</b>	Aluminum - 6061-T6 3000† psi • 20.7 MPa	<b>D</b>	Ductile Iron - D4512 5000† psi • 34.5 MPa	<table border="1"> <thead> <tr> <th colspan="2">Valve Pattern</th> </tr> <tr> <td colspan="2">See Tech Information</td> </tr> </thead> <tbody> <tr> <td><b>D05H</b></td> <td>ISO 4401-05-05 NFFPA T3.5.1-D05 Alt A &amp; B High flow</td> </tr> <tr> <td><b>D05J</b></td> <td>ISO 4401-05-05 NFFPA T3.5.1-D05 Alt A &amp; B Extra high flow</td> </tr> </tbody> </table>	Valve Pattern		See Tech Information		<b>D05H</b>	ISO 4401-05-05 NFFPA T3.5.1-D05 Alt A & B High flow	<b>D05J</b>	ISO 4401-05-05 NFFPA T3.5.1-D05 Alt A & B Extra high flow	<table border="1"> <thead> <tr> <th colspan="2">Product Type</th> </tr> </thead> <tbody> <tr> <td><b>SP</b></td> <td>Subplate</td> </tr> </tbody> </table>	Product Type		<b>SP</b>	Subplate	<table border="1"> <thead> <tr> <th colspan="2">Circuit</th> </tr> </thead> <tbody> <tr> <td><b>RV</b></td> <td>Main Relief P to T</td> </tr> </tbody> </table>	Circuit		<b>RV</b>	Main Relief P to T	<table border="1"> <thead> <tr> <th colspan="2">Relief Cavity</th> </tr> </thead> <tbody> <tr> <td><b>C</b></td> <td>Common cavity C-10-2 on D05H (P in nose) C-16-2 on D05J (P in nose)</td> </tr> <tr> <td><b>S</b></td> <td>Sun Cavity T-3A on D05H (P in nose) T-16A on D05J (P in nose) See Tech Info for valves</td> </tr> </tbody> </table>	Relief Cavity		<b>C</b>	Common cavity C-10-2 on D05H (P in nose) C-16-2 on D05J (P in nose)	<b>S</b>	Sun Cavity T-3A on D05H (P in nose) T-16A on D05J (P in nose) See Tech Info for valves	<table border="1"> <thead> <tr> <th colspan="3">P, T, A, B Port Threads</th> </tr> <tr> <th></th> <th>D05H only</th> <th>D05J only</th> </tr> </thead> <tbody> <tr> <td><b>12P</b></td> <td>0.75-14 NPTF ANSI B1.20.3</td> <td><b>16P</b> 1.00-11.5 NPTF ANSI B1.20.3</td> </tr> <tr> <td><b>12S</b></td> <td>-12 SAE ISO 11926; SAE 1926</td> <td><b>16S</b> -16 SAE ISO 11926; SAE 1926</td> </tr> <tr> <td><b>12B</b></td> <td>0.75-14 BSPP ISO 1179; BS 2779</td> <td><b>16B</b> 1.00-11 BSPP ISO 1179; BS 2779</td> </tr> <tr> <td><b>12M</b></td> <td>M27 x 2.0 ISO 6149</td> <td><b>16M</b> M33 x 2.0 ISO 6149</td> </tr> <tr> <td><b>12T</b></td> <td>0.75-14 BSPT ISO 7; BS 21</td> <td><b>16T</b> 1.00-11 BSPT ISO 7; BS 21</td> </tr> </tbody> </table> <p>X &amp; Y port size (reference)</p>	P, T, A, B Port Threads				D05H only	D05J only	<b>12P</b>	0.75-14 NPTF ANSI B1.20.3	<b>16P</b> 1.00-11.5 NPTF ANSI B1.20.3	<b>12S</b>	-12 SAE ISO 11926; SAE 1926	<b>16S</b> -16 SAE ISO 11926; SAE 1926	<b>12B</b>	0.75-14 BSPP ISO 1179; BS 2779	<b>16B</b> 1.00-11 BSPP ISO 1179; BS 2779	<b>12M</b>	M27 x 2.0 ISO 6149	<b>16M</b> M33 x 2.0 ISO 6149	<b>12T</b>	0.75-14 BSPT ISO 7; BS 21	<b>16T</b> 1.00-11 BSPT ISO 7; BS 21
Material																																																						
<b>A</b>	Aluminum - 6061-T6 3000† psi • 20.7 MPa																																																					
<b>D</b>	Ductile Iron - D4512 5000† psi • 34.5 MPa																																																					
Valve Pattern																																																						
See Tech Information																																																						
<b>D05H</b>	ISO 4401-05-05 NFFPA T3.5.1-D05 Alt A & B High flow																																																					
<b>D05J</b>	ISO 4401-05-05 NFFPA T3.5.1-D05 Alt A & B Extra high flow																																																					
Product Type																																																						
<b>SP</b>	Subplate																																																					
Circuit																																																						
<b>RV</b>	Main Relief P to T																																																					
Relief Cavity																																																						
<b>C</b>	Common cavity C-10-2 on D05H (P in nose) C-16-2 on D05J (P in nose)																																																					
<b>S</b>	Sun Cavity T-3A on D05H (P in nose) T-16A on D05J (P in nose) See Tech Info for valves																																																					
P, T, A, B Port Threads																																																						
	D05H only	D05J only																																																				
<b>12P</b>	0.75-14 NPTF ANSI B1.20.3	<b>16P</b> 1.00-11.5 NPTF ANSI B1.20.3																																																				
<b>12S</b>	-12 SAE ISO 11926; SAE 1926	<b>16S</b> -16 SAE ISO 11926; SAE 1926																																																				
<b>12B</b>	0.75-14 BSPP ISO 1179; BS 2779	<b>16B</b> 1.00-11 BSPP ISO 1179; BS 2779																																																				
<b>12M</b>	M27 x 2.0 ISO 6149	<b>16M</b> M33 x 2.0 ISO 6149																																																				
<b>12T</b>	0.75-14 BSPT ISO 7; BS 21	<b>16T</b> 1.00-11 BSPT ISO 7; BS 21																																																				

# D05 High Flow Subplates with Pilot Ports and Relief Cavity

Side Ported Subplate with Cylinder Port  
Crossover Relief Cavities

Valve mtg: UNC 0.25-20 x 0.75 DP or  
Metric M6-1.0mm ISO 6H x [19.1] DP  
Subplate hardware kit is supplied.  
See page 122 for itemized list.



Dimension	A	B	C	D	E	F	G	H	I
*D05HSPCR*12*	4.50 [114.3]	5.00 [127.0]	5.00 [127.0]	2.41 [61.1]	4.63 [117.5]	--	3.03 [77.0]	4.63 [117.5]	2.13 [54.0]
*D05JSPCR*16*	4.50 [114.3]	5.00 [127.0]	5.00 [127.0]	2.41 [61.1]	4.63 [117.5]	--	3.03 [77.0]	4.63 [117.5]	2.13 [54.0]
*D05JSPCRS*16*	4.50 [114.3]	6.00 [152.4]	6.00 [152.4]	2.91 [73.8]	5.63 [142.9]	0.38 [9.7]	3.53 [89.7]	5.63 [142.9]	2.63 [66.7]

Dimension	J	K	L	M	N	O	P	Q	R
*D05HSPCR*12*	1.00 [25.4]	2.41 [61.1]	3.00 [76.2]	0.63 [15.9]	2.00 [50.8]	2.85 [72.3]	2.81 [71.4]	4.00 [101.6]	4.38 [111.1]
*D05JSPCR*16*	1.00 [25.4]	2.41 [61.1]	3.00 [76.2]	0.63 [15.9]	1.75 [44.5]	2.85 [72.3]	2.81 [71.4]	4.00 [101.6]	4.38 [111.1]
*D05JSPCRS*16*	1.50 [38.1]	2.91 [73.8]	3.69 [93.7]	1.13 [28.6]	2.25 [57.2]	3.35 [85.0]	3.31 [84.1]	4.50 [114.3]	4.88 [124.0]

Dimension	S	T	U	V	W	X	Y	Z
*D05HSPCR*12*	0.38 [9.5]	1.69 [42.9]	3.94 [100.0]	1.47 [37.3]	1.75 [44.5]	2.50 [63.5]	3.25 [82.6]	1.28 [32.5]
*D05HSPCRS*12*	0.38 [9.5]	1.69 [42.9]	3.94 [100.0]	1.31 [33.3]	1.75 [44.5]	2.50 [63.5]	3.25 [82.6]	1.06 [27.0]
*D05JSPCR*16*	0.38 [9.5]	1.69 [42.9]	3.94 [100.0]	1.31 [33.3]	1.75 [44.5]	2.50 [63.5]	3.25 [82.6]	1.06 [27.0]
*D05JSPCRS*16*	0.38 [9.5]	1.69 [42.9]	3.94 [100.0]	1.31 [33.3]	2.13 [54.0]	2.50 [63.5]	3.25 [82.6]	1.06 [27.0]

Specifications, descriptions, and dimensional data are subject to correction or change without notice or incurring obligation. Download latest catalog page revisions at [www.daman.com](http://www.daman.com).

## Ordering Information

Material	Valve Pattern	Product Type	Circuit	Relief Cavity	Port Threads																																																												
<table border="1"> <thead> <tr> <th colspan="2">Material</th> </tr> </thead> <tbody> <tr> <td><b>A</b></td> <td>Aluminum - 6061-T6 3000<sup>†</sup> psi • 20.7 MPa</td> </tr> <tr> <td><b>D</b></td> <td>Ductile Iron - D4512 5000<sup>†</sup> psi • 34.5 MPa</td> </tr> </tbody> </table> <p><sup>†</sup> Working pressure should be considered in accordance with ISO 4413 to determine appropriate material type.</p>	Material		<b>A</b>	Aluminum - 6061-T6 3000 <sup>†</sup> psi • 20.7 MPa	<b>D</b>	Ductile Iron - D4512 5000 <sup>†</sup> psi • 34.5 MPa	<table border="1"> <thead> <tr> <th colspan="2">Valve Pattern</th> </tr> <tr> <td colspan="2">See Tech Information</td> </tr> </thead> <tbody> <tr> <td><b>D05H</b></td> <td>ISO 4401-05-05 NFPA T3.5.1-D05 Alt A &amp; B High flow</td> </tr> <tr> <td><b>D05J</b></td> <td>ISO 4401-05-05 NFPA T3.5.1-D05 Alt A &amp; B Extra high flow</td> </tr> </tbody> </table>	Valve Pattern		See Tech Information		<b>D05H</b>	ISO 4401-05-05 NFPA T3.5.1-D05 Alt A & B High flow	<b>D05J</b>	ISO 4401-05-05 NFPA T3.5.1-D05 Alt A & B Extra high flow	<table border="1"> <thead> <tr> <th colspan="2">Product Type</th> </tr> </thead> <tbody> <tr> <td><b>SP</b></td> <td>Subplate</td> </tr> </tbody> </table>	Product Type		<b>SP</b>	Subplate	<table border="1"> <thead> <tr> <th colspan="2">Circuit</th> </tr> </thead> <tbody> <tr> <td><b>CR</b></td> <td>Crossover Reliefs A to B and B to A</td> </tr> </tbody> </table>	Circuit		<b>CR</b>	Crossover Reliefs A to B and B to A	<table border="1"> <thead> <tr> <th colspan="2">Relief Cavity</th> </tr> </thead> <tbody> <tr> <td><b>C</b></td> <td>Common cavity C-10-2 on D05H (P in nose) C-16-2 on D05J (P in nose)</td> </tr> <tr> <td><b>S</b></td> <td>Sun Cavity T-3A on D05H (P in nose) T-16A on D05J (P in nose) See Tech Info for valves</td> </tr> </tbody> </table>	Relief Cavity		<b>C</b>	Common cavity C-10-2 on D05H (P in nose) C-16-2 on D05J (P in nose)	<b>S</b>	Sun Cavity T-3A on D05H (P in nose) T-16A on D05J (P in nose) See Tech Info for valves	<table border="1"> <thead> <tr> <th colspan="3">P, T, A, B Port Threads</th> <th rowspan="2">X &amp; Y port size (reference)</th> </tr> <tr> <th colspan="2">D05H only</th> <th>D05J only</th> </tr> </thead> <tbody> <tr> <td><b>12P</b></td> <td>0.75-14 NPTF ANSI B1.20.3</td> <td><b>16P</b></td> <td>1.00-11.5 NPTF ANSI B1.20.3</td> <td>0.25-18 NPTF ANSI B1.20.3</td> </tr> <tr> <td><b>12S</b></td> <td>-12 SAE ISO 11926; SAE 1926</td> <td><b>16S</b></td> <td>-16 SAE ISO 11926; SAE 1926</td> <td>-4 SAE ISO 11926; SAE 1926</td> </tr> <tr> <td><b>12B</b></td> <td>0.75-14 BSPP ISO 1179; BS 2779</td> <td><b>16B</b></td> <td>1.00-11 BSPP ISO 1179; BS 2779</td> <td>0.25-19 BSPP ISO 1179; BS 2779</td> </tr> <tr> <td><b>12M</b></td> <td>M27 x 2.0 ISO 6149</td> <td><b>16M</b></td> <td>M33 x 2.0 ISO 6149</td> <td>M10 x 1.0 ISO 6149</td> </tr> <tr> <td><b>12T</b></td> <td>0.75-14 BSPT ISO 7; BS 21</td> <td><b>16T</b></td> <td>1.00-11 BSPT ISO 7; BS 21</td> <td>0.25-19 BSPT ISO 7; BS 21</td> </tr> </tbody> </table>	P, T, A, B Port Threads			X & Y port size (reference)	D05H only		D05J only	<b>12P</b>	0.75-14 NPTF ANSI B1.20.3	<b>16P</b>	1.00-11.5 NPTF ANSI B1.20.3	0.25-18 NPTF ANSI B1.20.3	<b>12S</b>	-12 SAE ISO 11926; SAE 1926	<b>16S</b>	-16 SAE ISO 11926; SAE 1926	-4 SAE ISO 11926; SAE 1926	<b>12B</b>	0.75-14 BSPP ISO 1179; BS 2779	<b>16B</b>	1.00-11 BSPP ISO 1179; BS 2779	0.25-19 BSPP ISO 1179; BS 2779	<b>12M</b>	M27 x 2.0 ISO 6149	<b>16M</b>	M33 x 2.0 ISO 6149	M10 x 1.0 ISO 6149	<b>12T</b>	0.75-14 BSPT ISO 7; BS 21	<b>16T</b>	1.00-11 BSPT ISO 7; BS 21	0.25-19 BSPT ISO 7; BS 21
Material																																																																	
<b>A</b>	Aluminum - 6061-T6 3000 <sup>†</sup> psi • 20.7 MPa																																																																
<b>D</b>	Ductile Iron - D4512 5000 <sup>†</sup> psi • 34.5 MPa																																																																
Valve Pattern																																																																	
See Tech Information																																																																	
<b>D05H</b>	ISO 4401-05-05 NFPA T3.5.1-D05 Alt A & B High flow																																																																
<b>D05J</b>	ISO 4401-05-05 NFPA T3.5.1-D05 Alt A & B Extra high flow																																																																
Product Type																																																																	
<b>SP</b>	Subplate																																																																
Circuit																																																																	
<b>CR</b>	Crossover Reliefs A to B and B to A																																																																
Relief Cavity																																																																	
<b>C</b>	Common cavity C-10-2 on D05H (P in nose) C-16-2 on D05J (P in nose)																																																																
<b>S</b>	Sun Cavity T-3A on D05H (P in nose) T-16A on D05J (P in nose) See Tech Info for valves																																																																
P, T, A, B Port Threads			X & Y port size (reference)																																																														
D05H only		D05J only																																																															
<b>12P</b>	0.75-14 NPTF ANSI B1.20.3	<b>16P</b>	1.00-11.5 NPTF ANSI B1.20.3	0.25-18 NPTF ANSI B1.20.3																																																													
<b>12S</b>	-12 SAE ISO 11926; SAE 1926	<b>16S</b>	-16 SAE ISO 11926; SAE 1926	-4 SAE ISO 11926; SAE 1926																																																													
<b>12B</b>	0.75-14 BSPP ISO 1179; BS 2779	<b>16B</b>	1.00-11 BSPP ISO 1179; BS 2779	0.25-19 BSPP ISO 1179; BS 2779																																																													
<b>12M</b>	M27 x 2.0 ISO 6149	<b>16M</b>	M33 x 2.0 ISO 6149	M10 x 1.0 ISO 6149																																																													
<b>12T</b>	0.75-14 BSPT ISO 7; BS 21	<b>16T</b>	1.00-11 BSPT ISO 7; BS 21	0.25-19 BSPT ISO 7; BS 21																																																													

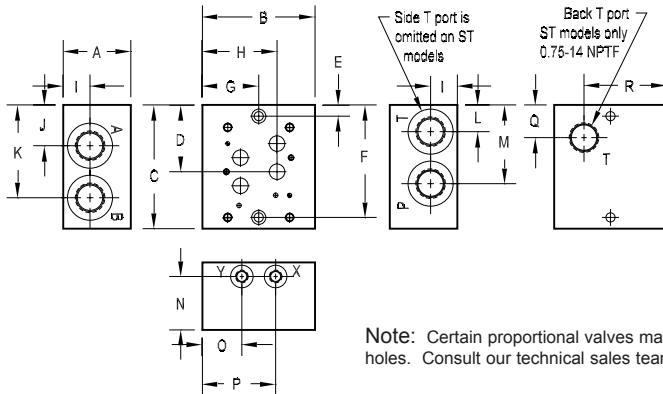
# D07 Subplates

## Side Ported Subplate

Valve mtg: UNC 0.25-20 x 0.75 DP and UNC 0.38-16 x 1.00 DP or Metric M6-1.0mm ISO 6H x [19.1] DP and M10-1.5mm ISO 6H x [25.4] DP

Subplate hardware kit is supplied.

See page 122 for itemized list.

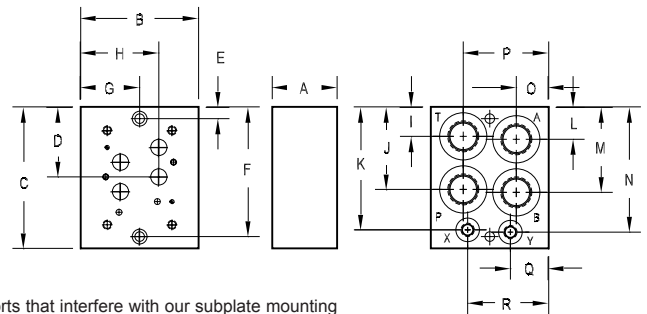


## Back Ported Subplate

Valve mtg: UNC 0.25-20 x 0.75 DP and UNC 0.38-16 x 1.00 DP or Metric M6-1.0mm ISO 6H x [19.1] DP and M10-1.5mm ISO 6H x [25.4] DP

Subplate hardware kit is supplied.

See page 122 for itemized list.



Note: Certain proportional valves may have ports that interfere with our subplate mounting holes. Consult our technical sales team for information or custom subplate pricing.

Dimension	A	B	C	D	E	F	G	H	I	J	K	L	M	N	O	P	Q	R
*D07SPSO12*	1.75 [44.5]	3.75 [95.3]	4.75 [120.7]	2.34 [59.4]	0.38 [9.5]	4.38 [111.3]	1.88 [47.8]	2.69 [68.3]	0.81 [20.6]	1.50 [38.1]	3.13 [79.5]	1.19 [30.2]	2.78 [70.6]	1.25 [31.8]	1.12 [28.4]	2.62 [66.5]	--	--
*D07SPST12*	1.75 [44.5]	3.75 [95.3]	4.75 [120.7]	2.34 [59.4]	0.38 [9.5]	4.38 [111.3]	1.88 [47.8]	2.69 [68.3]	0.81 [20.6]	1.50 [38.1]	3.13 [79.5]	--	2.78 [70.6]	1.25 [31.8]	1.12 [28.4]	2.62 [66.5]	1.09 [27.7]	2.69 [68.3]
*D07SPSO16*	3.00 [76.2]	5.00 [127.0]	5.50 [139.7]	2.97 [75.4]	0.50 [12.7]	5.00 [127.0]	2.50 [63.5]	3.31 [84.2]	1.16 [29.5]	1.81 [46.0]	4.13 [104.8]	1.19 [30.2]	3.50 [88.9]	2.38 [60.3]	1.75 [44.5]	3.25 [82.6]	--	--
*D07SPB12B	1.50 [38.1]	4.00 [101.6]	4.75 [120.7]	2.34 [59.4]	0.38 [9.5]	4.37 [111.0]	2.00 [50.8]	2.81 [71.4]	1.09 [27.7]	2.75 [69.9]	4.00 [101.6]	1.19 [30.2]	2.81 [71.4]	4.09 [103.9]	1.13 [28.7]	2.94 [74.7]	1.13 [28.7]	2.94 [74.7]
*D07SPB12[M,P,S,T]	1.50 [38.1]	4.00 [101.6]	4.75 [120.7]	2.34 [59.4]	0.38 [9.5]	4.37 [111.0]	2.00 [50.8]	2.81 [71.4]	1.09 [27.7]	2.81 [71.4]	4.00 [101.6]	1.25 [31.8]	2.91 [73.9]	4.09 [103.9]	1.13 [28.7]	2.94 [74.7]	1.13 [28.7]	2.94 [74.7]
*D07SPB16*	2.75 [69.9]	5.00 [101.6]	6.00 [152.4]	2.97 [75.4]	0.50 [12.7]	5.50 [139.7]	2.50 [63.5]	3.31 [84.2]	1.25 [31.8]	3.50 [88.9]	5.31 [134.9]	1.38 [34.9]	3.63 [92.1]	5.31 [134.9]	1.38 [34.9]	3.63 [92.1]	1.63 [41.3]	3.44 [87.3]

Specifications, descriptions, and dimensional data are subject to correction or change without notice or incurring obligation. Download latest catalog page revisions at [www.daman.com](http://www.daman.com).

# Ordering Information



Material	
<b>A</b>	Aluminum - 6061-T6 3000† psi • 20.7 MPa
<b>D</b>	Ductile Iron - D4512 5000† psi • 34.5 MPa

† Working pressure should be considered in accordance with ISO 4413 to determine appropriate material type.

Valve Pattern	
<b>D07</b>	ISO 4401-07-06 NFFPA T3.5.1-D07 See Tech Information

Port Location	
<b>SO</b>	Side ported
<b>ST</b>	Side P,A,B ports Back T port. Available on 12P and 12S only
<b>B</b>	Back ported

Product Type	
<b>SP</b>	Subplate

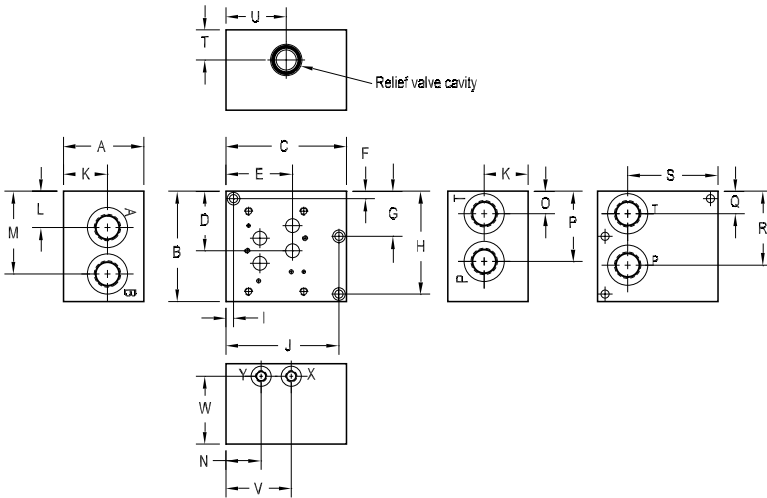
P, T, A, B Port Threads*				X & Y port size (reference)
<b>12P</b>	0.75-14 NPTF ANSI B1.20.3	<b>16P</b>	1.00-11.5 NPTF ANSI B1.20.3	0.25-18 NPTF ANSI B1.20.3
<b>12S</b>	-12 SAE ISO 11926; SAE 1926	<b>16S</b>	-16 SAE ISO 11926; SAE 1926	-6 SAE ISO 11926; SAE 1926
<b>12B</b>	0.75-14 BSPP ISO 1179; BS 2779	<b>16B</b>	1.00-11 BSPP ISO 1179; BS 2779	0.25-19 BSPP ISO 1179; BS 2779
<b>12M</b>	M27 x 2.0 ISO 6149	<b>16M</b>	M33 x 2.0 ISO 6149	M14 x 1.5 ISO 6149
<b>12T</b>	0.75-14 BSPT ISO 7; BS 21	<b>16T</b>	1.00-11 BSPT ISO 7; BS 21	0.25-19 BSPT ISO 7; BS 21

\* T port is always 0.75-14 NPTF on ST models.

# D07 Subplates with Relief Cavity

## Dual Ported Subplate with Main Relief Cavity

Valve mtg: UNC 0.25-20 x 0.50 DP and UNC 0.38-16 x 0.75 DP or  
Metric M6-1.0mm ISO 6H x [12.7] DP and M10-1.5mm ISO 6H x [19.1] DP  
Subplate hardware kit is supplied.  
See page 122 for itemized list.



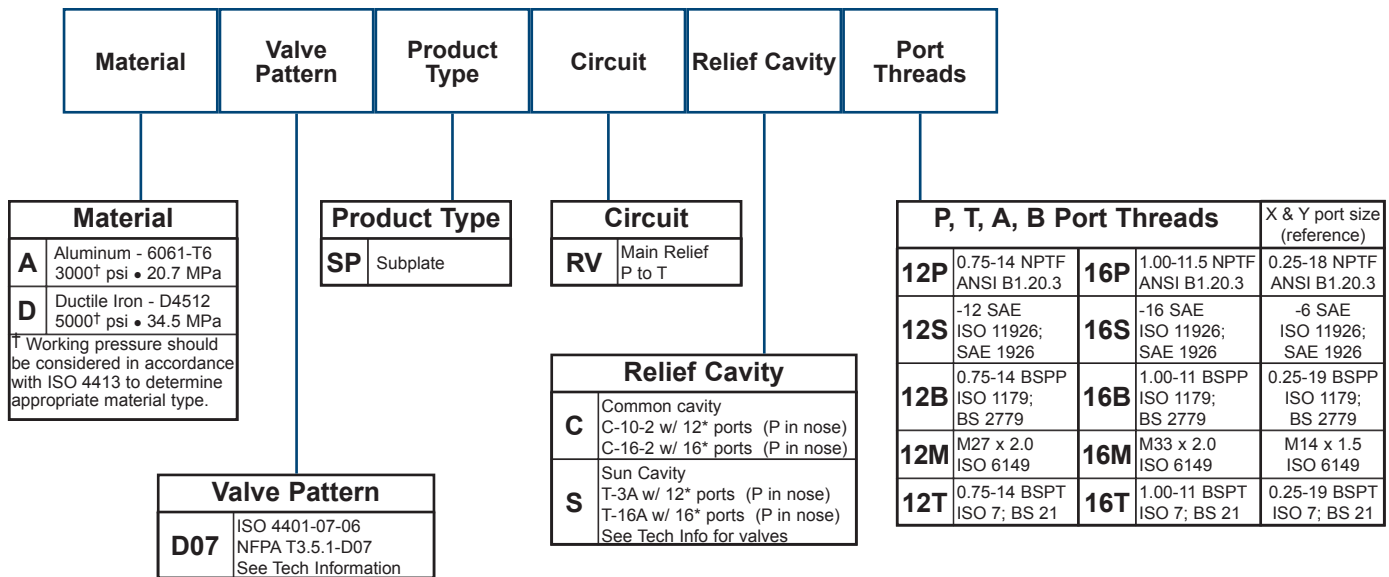
Dimension	A	B	C	D	E	F	G	H
*D07SPRVC12*	2.75 [69.9]	4.75 [120.7]	4.00 [101.6]	2.34 [59.4]	2.81 [71.4]	0.38 [9.5]	--	4.37 [111.0]
*D07SPRVS12*	2.50 [63.5]	4.75 [120.7]	4.00 [101.6]	2.34 [59.4]	2.81 [71.4]	0.38 [9.5]	--	4.37 [111.0]
*D07SPRVC16*	4.00 [101.6]	5.50 [139.7]	6.00 [152.4]	2.97 [75.4]	3.31 [84.2]	0.38 [9.5]	2.25 [57.2]	5.13 [130.2]
*D07SPRVS16*	4.00 [101.6]	5.50 [139.7]	6.00 [152.4]	2.97 [75.4]	3.31 [84.2]	0.38 [9.5]	2.25 [57.2]	5.13 [130.2]

Dimension	I	J	K	L	M	N	O	P
*D07SPRVC12*	1.38 [35.1]	2.00 [50.8]	1.50 [38.1]	1.50 [38.1]	3.12 [79.2]	1.19 [30.2]	1.19 [30.2]	2.78 [70.6]
*D07SPRVS12*	1.38 [35.1]	2.00 [50.8]	1.25 [31.8]	1.50 [38.1]	3.12 [79.2]	1.19 [30.2]	1.19 [30.2]	2.78 [70.6]
*D07SPRVC16*	0.38 [9.5]	5.63 [142.9]	2.19 [55.6]	1.81 [46.0]	4.13 [104.8]	1.75 [44.5]	1.00 [25.4]	3.50 [88.9]
*D07SPRVS16*	0.38 [9.5]	5.63 [142.9]	2.19 [55.6]	1.81 [46.0]	4.13 [104.8]	1.75 [44.5]	1.13 [28.6]	3.50 [88.9]

Dimension	Q	R	S	T	U	V	W
*D07SPRVC12*	1.13 [28.6]	2.75 [69.9]	2.81 [71.4]	1.75 [44.5]	2.22 [56.4]	2.81 [71.4]	2.25 [57.2]
*D07SPRVS12*	1.13 [28.6]	2.75 [69.9]	2.81 [71.4]	1.25 [31.8]	2.31 [58.7]	2.81 [71.4]	2.00 [50.8]
*D07SPRVC16*	1.13 [28.6]	3.69 [93.7]	4.50 [114.3]	1.50 [38.1]	3.00 [76.2]	3.25 [82.6]	3.38 [85.7]
*D07SPRVS16*	1.13 [28.6]	3.69 [93.7]	4.50 [114.3]	1.50 [38.1]	3.00 [76.2]	3.25 [82.6]	3.38 [85.7]

Specifications, descriptions, and dimensional data are subject to correction or change without notice or incurring obligation. Download latest catalog page revisions at [www.daman.com](http://www.daman.com).

## Ordering Information

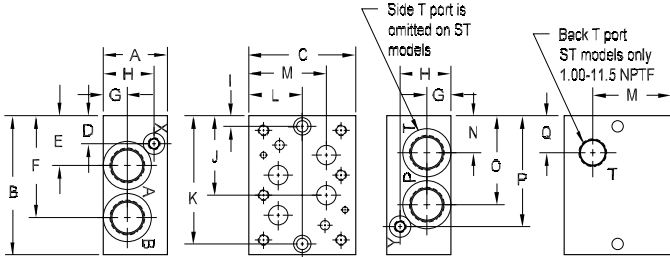


# D08 Subplates

## Side Ported Subplate

Valve mtg: UNC 0.50-13 x 1.19 DP or  
Metric M12-1.75mm ISO 6H x [30.2] DP

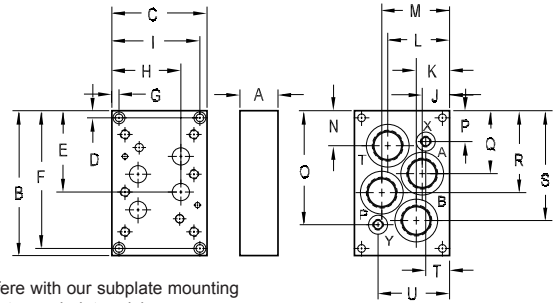
Subplate hardware kit is supplied.  
See page 122 for itemized list.



## Back Ported Subplate

Valve mtg: UNC 0.50-13 x 1.19 DP or  
Metric M12-1.75mm ISO 6H x [30.2] DP

Subplate hardware kit is supplied.  
See page 122 for itemized list.



Note: Certain proportional valves may have ports that interfere with our subplate mounting holes. Consult our technical sales team for information or custom subplate pricing.

Dimension	A	B	C	D	E	F	G	H	I	J	K	L	M	N	O	P	Q	R	S	T	U
*D08SPSO12P, *D08SPSO16*	2.00 [50.8]	6.13 [155.7]	4.50 [114.3]	1.19 [30.2]	2.53 [64.3]	4.53 [115.1]	1.00 [25.4]	1.00 [25.4]	0.50 [12.7]	3.53 [89.7]	5.62 [142.7]	2.25 [57.2]	3.38 [85.9]	1.56 [39.7]	3.59 [91.2]	4.94 [125.5]	--	--	--	--	--
*D08SPST12P, *D08SPST16*	2.00 [50.8]	6.13 [155.7]	4.50 [114.3]	1.19 [30.2]	2.53 [64.3]	4.53 [115.1]	1.00 [25.4]	1.00 [25.4]	0.50 [12.7]	3.53 [89.7]	5.62 [142.7]	2.25 [57.2]	3.38 [85.9]	--	3.59 [91.2]	4.94 [125.5]	1.66 [42.1]	3.38 [85.9]	--	--	--
*D08SPSO20*	3.00 [76.2]	6.50 [165.1]	5.00 [127.0]	1.31 [33.3]	2.33 [59.2]	4.77 [121.2]	1.13 [28.6]	2.38 [60.3]	0.50 [12.7]	3.72 [94.5]	6.00 [152.4]	2.50 [63.5]	3.63 [92.2]	1.73 [43.9]	4.17 [105.9]	5.19 [131.8]	--	--	--	--	--
*D08SPSO20M	4.00 [101.6]	6.50 [165.1]	5.00 [127.0]	1.38 [34.9]	2.33 [59.2]	4.77 [121.2]	1.63 [41.3]	3.13 [79.4]	0.50 [12.7]	3.72 [94.5]	6.00 [152.4]	2.50 [63.5]	3.63 [92.2]	1.73 [43.9]	4.17 [105.9]	5.13 [130.2]	--	--	--	--	--
*D08SPB16B	1.50 [38.1]	6.13 [155.7]	4.63 [117.6]	0.50 [12.7]	3.53 [89.7]	5.62 [142.7]	2.31 [58.7]	3.44 [87.4]	--	1.19 [30.2]	1.19 [30.2]	3.44 [87.4]	3.44 [87.4]	1.53 [38.9]	5.16 [131.0]	0.97 [24.6]	2.47 [62.7]	3.66 [92.9]	4.59 [116.7]	1.25 [31.8]	3.38 [85.9]
*D08SPB12P, *D08SPB16[M,P,S,T]	1.50 [38.1]	6.13 [155.7]	4.63 [117.6]	0.50 [12.7]	3.53 [89.7]	5.62 [142.7]	2.31 [58.7]	3.44 [87.4]	--	1.19 [30.2]	1.19 [30.2]	3.44 [87.4]	3.44 [87.4]	1.66 [42.2]	4.94 [125.5]	1.19 [30.2]	2.59 [65.8]	3.53 [89.7]	4.47 [113.5]	1.25 [31.8]	3.38 [85.9]
*D08SPB20*	2.00 [50.8]	7.63 [193.8]	5.00 [127.0]	0.38 [9.7]	4.28 [108.7]	7.25 [184.2]	0.38 [9.7]	3.63 [92.2]	4.63 [117.6]	1.44 [36.6]	1.75 [44.5]	3.25 [82.6]	3.56 [90.4]	1.84 [46.7]	6.00 [152.4]	1.63 [41.3]	3.31 [84.1]	4.31 [109.5]	5.78 [146.8]	1.44 [36.6]	3.56 [90.4]

Specifications, descriptions, and dimensional data are subject to correction or change without notice or incurring obligation. Download latest catalog page revisions at [www.daman.com](http://www.daman.com).

# Ordering Information



Material	
<b>A</b>	Aluminum - 6061-T6 3000 <sup>†</sup> psi • 20.7 MPa
<b>D</b>	Ductile Iron - D4512 5000 <sup>†</sup> psi • 34.5 MPa

<sup>†</sup> Working pressure should be considered in accordance with ISO 4413 to determine appropriate material type.

Product Type	
<b>SP</b>	Subplate

Port Location	
<b>SO</b>	Side ported
<b>ST</b>	Side P,A,B ports; back T port. Available on 12P, 16P and 16S only
<b>B</b>	Back ported

Valve Pattern	
<b>D08</b>	ISO 4401-08-07 NFPA T3.5.1-D08 See Tech Information

P, T, A, B Port Threads*			X & Y port size (reference)
<b>12P</b>	0.75-14 NPTF ANSI B1.20.3		0.25-18 NPTF ANSI B1.20.3
<b>16P</b>	1.00-11.5 NPTF ANSI B1.20.3	<b>20P</b>	1.25-11.5 NPTF ANSI B1.20.3 0.25-18 NPTF ANSI B1.20.3
<b>16S</b>	-16 SAE ISO 11926; SAE 1926	<b>20S</b>	-20 SAE ISO 11926; SAE 1926 -6 SAE ISO 11926; SAE 1926
<b>16B</b>	1.00-11 BSPP ISO 1179; BS 2779	<b>20B</b>	1.25-11 BSPP ISO 1179; BS 2779 0.25-19 BSPP ISO 1179; BS 2779
<b>16M</b>	M33 x 2.0 ISO 6149	<b>20M</b>	M42 x 2.0 ISO 6149 M14 x 1.5 ISO 6149
<b>16T</b>	1.00-11 BSPT ISO 7; BS 21	<b>20T</b>	1.25-11 BSPT ISO 7; BS 21 0.25-19 BSPT ISO 7; BS 21

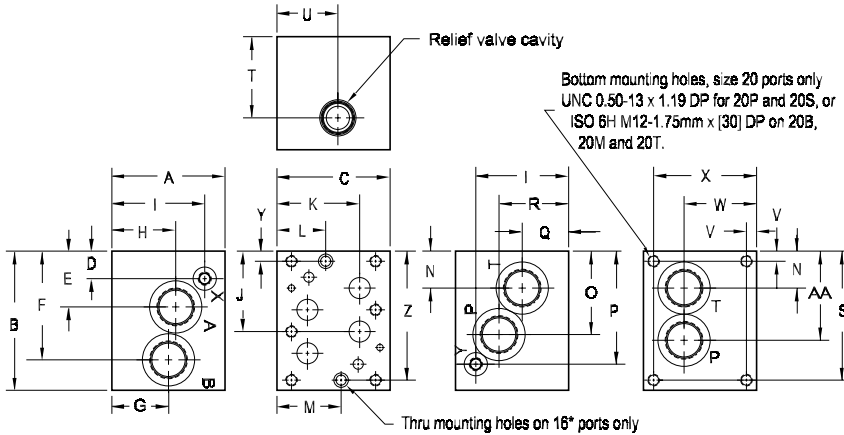
\* T port is always 1.00-11.5 NPTF on ST models.



# D08 Subplates with Relief Valve

## Dual Ported Subplate with Main Relief Cavity

Valve mtg: UNC 0.50-13 x 1.19 DP or  
Metric M12-1.75mm ISO 6H x [30.2] DP  
Subplate hardware kit is supplied.  
See page 122 for itemized list.



Note: Certain proportional valves may have ports that interfere with our subplate mounting holes. Consult our technical sales team for information or custom subplate pricing.

Dimension	A	B	C	D	E	F	G
*D08SPRVC16*	3.00 [76.2]	6.00 [152.4]	4.50 [114.3]	0.91 [23.1]	2.41 [61.2]	4.53 [115.1]	1.87 [47.5]
*D08SPRVS16*	3.00 [76.2]	6.00 [152.4]	4.50 [114.3]	0.91 [23.1]	2.41 [61.2]	4.53 [115.1]	1.87 [47.5]
*D08SPRV*20*	4.88 [124.0]	6.00 [152.4]	4.88 [124.0]	1.19 [30.2]	2.41 [61.2]	4.69 [119.1]	2.75 [69.9]
*D08SPRV*20M	4.88 [124.0]	6.00 [152.4]	4.88 [124.0]	1.19 [30.2]	2.41 [61.2]	4.69 [119.1]	2.00 [50.8]

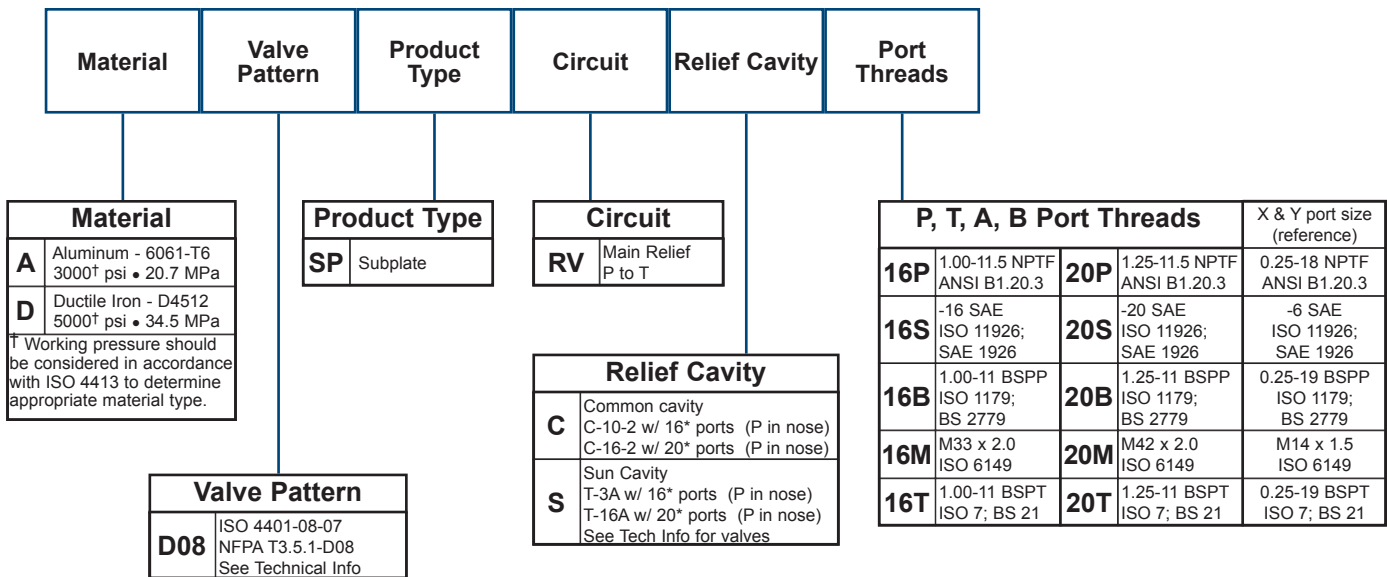
Dimension	H	I	J	K	L	M	N
*D08SPRVC16*	1.87 [47.5]	1.25 [31.8]	3.47 [88.1]	3.38 [85.9]	1.68 [42.7]	2.56 [65.0]	1.47 [37.3]
*D08SPRVS16*	1.87 [47.5]	1.25 [31.8]	3.47 [88.1]	3.38 [85.9]	1.68 [42.7]	2.56 [65.0]	1.47 [37.3]
*D08SPRV*20*	2.75 [69.9]	4.00 [101.6]	3.47 [88.1]	3.56 [90.4]	--	--	1.59 [40.4]
*D08SPRV*20M	2.75 [69.9]	4.00 [101.6]	3.47 [88.1]	3.56 [90.4]	--	--	1.59 [40.4]

Dimension	O	P	Q	R	S	T	U
*D08SPRVC16*	3.59 [91.2]	5.09 [129.3]	1.87 [47.5]	1.87 [47.5]	--	1.25 [31.8]	2.47 [62.7]
*D08SPRVS16*	3.59 [91.2]	5.09 [129.3]	1.87 [47.5]	1.87 [47.5]	--	1.87 [47.5]	2.81 [71.4]
*D08SPRV*20*	3.60 [91.4]	4.88 [124.0]	2.00 [50.8]	3.00 [76.2]	5.56 [141.2]	3.50 [88.9]	2.63 [66.7]
*D08SPRV*20M	4.00 [101.6]	4.88 [124.0]	2.00 [50.8]	2.38 [60.3]	5.56 [141.2]	3.50 [88.9]	2.63 [66.7]

Dimension	V	W	X	Y	Z	AA
*D08SPRVC16*	--	3.50 [88.9]	--	0.44 [11.2]	5.56 [141.2]	3.59 [91.2]
*D08SPRVS16*	--	3.50 [88.9]	--	0.44 [11.2]	5.56 [141.2]	3.59 [91.2]
*D08SPRV*20*	0.44 [11.2]	3.13 [79.5]	4.44 [112.8]	--	--	3.84 [97.6]
*D08SPRV*20M	0.44 [11.2]	3.13 [79.5]	4.44 [112.8]	--	--	4.00 [101.6]

Specifications, descriptions, and dimensional data are subject to correction or change without notice or incurring obligation. Download latest catalog page revisions at [www.daman.com](http://www.daman.com).

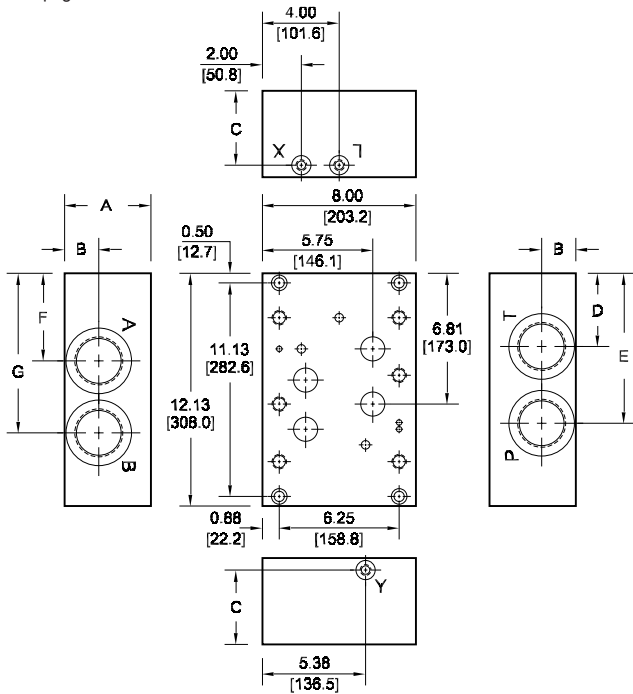
## Ordering Information



# D10 Subplates

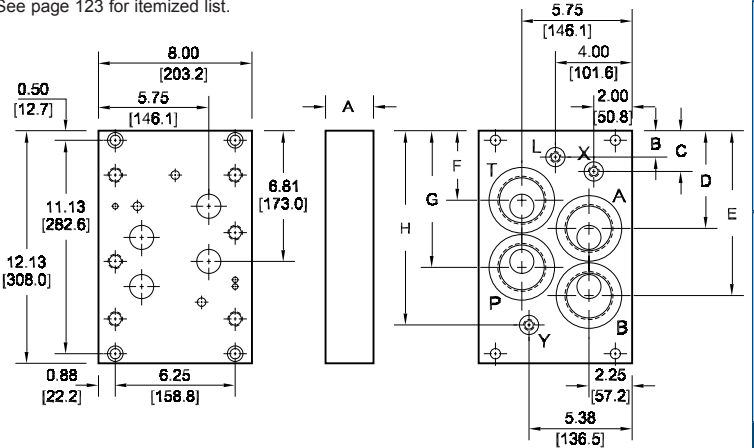
## Side Ported Subplate

Valve mtg: UNC 0.75-10 x 1.63 [41.3] DP  
 Subplate hardware kit is supplied.  
 See page 123 for itemized list.



## Back Ported Subplate

Valve mtg: UNC 0.75-10 x 1.63 [41.3] DP  
 Subplate hardware kit is supplied.  
 See page 123 for itemized list.



Dimension	A	B	C	D	E	F	G	H
*D10SPSO20P	3.50 [88.9]	1.75 [44.5]	2.88 [73.0]	3.81 [96.8]	7.13 [181.0]	5.22 [132.6]	8.31 [211.2]	--
*D10SPSO24*	4.00 [101.6]	1.75 [44.5]	3.38 [85.7]	3.81 [96.8]	7.13 [181.0]	5.22 [132.6]	8.31 [211.2]	--
*D10SPSO32*	4.50 [114.3]	1.78 [45.2]	3.88 [98.4]	3.81 [96.8]	7.81 [198.4]	4.56 [115.9]	8.31 [211.2]	--
*D10SPB20P	2.00 [50.8]	2.31 [58.7]	3.94 [100.0]	5.81 [147.6]	8.61 [218.7]	3.94 [100.0]	6.81 [173.0]	8.94 [227.0]
*D10SPB24*	2.50 [63.5]	1.38 [34.9]	2.13 [54.0]	5.09 [129.4]	8.59 [218.3]	3.63 [92.1]	7.13 [181.0]	10.13 [257.2]

Specifications, descriptions, and dimensional data are subject to correction or change without notice or incurring obligation. Download latest catalog page revisions at [www.daman.com](http://www.daman.com).

# Ordering Information



Material	
<b>A</b>	Aluminum - 6061-T6 3000† psi • 20.7 MPa
<b>D</b>	Ductile Iron - D4512 5000† psi • 34.5 MPa

† Working pressure should be considered in accordance with ISO 4413 to determine appropriate material type.

Product Type	
<b>SP</b>	Subplate

P, T, A, B Port Threads				X, Y, & L port size (reference)
<b>20P</b>	1.25-11.5 NPTF ANSI B1.20.3			0.38-18 NPTF ANSI B1.20.3
<b>24P</b>	1.50-11.5 NPTF ANSI B1.20.3	<b>32P</b>	2.00-11.5 NPTF ANSI B1.20.3	0.38-18 NPTF ANSI B1.20.3
<b>24S</b>	-24 SAE ISO 11926; SAE 1926	<b>32S</b>	-32 SAE ISO 11926; SAE 1926	-6 SAE ISO 11926; SAE 1926

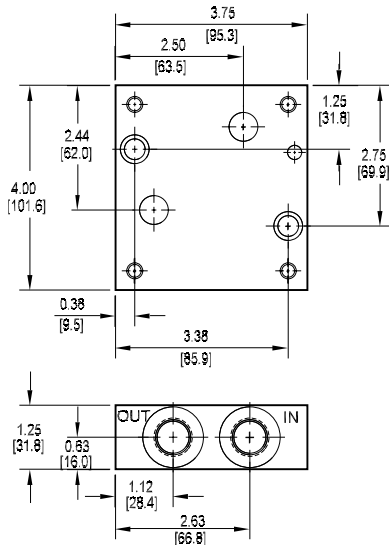
Valve Pattern	
<b>D10</b>	ISO 4401-10-08 NFFPA T3.5.1-D10 See Tech Information

Port Location	
<b>SO</b>	Side ported
<b>B</b>	Back ported

# 2F06, 2F07 Flow Control Subplates

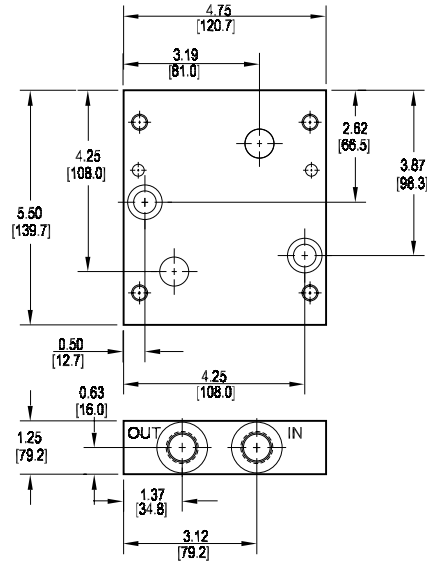
## 2F06 Side Ported Subplate

Valve mtg: UNC 0.31-18 x 0.88 DP  
 Subplate hardware kit is supplied.  
 See page 123 for itemized list.



## 2F07 Side Ported Subplate

Valve mtg: UNC 0.38-16 x 1.00 DP  
 Subplate hardware kit is supplied.  
 See page 123 for itemized list.



Specifications, descriptions, and dimensional data are subject to correction or change without notice or incurring obligation. Download latest catalog page revisions at [www.daman.com](http://www.daman.com).

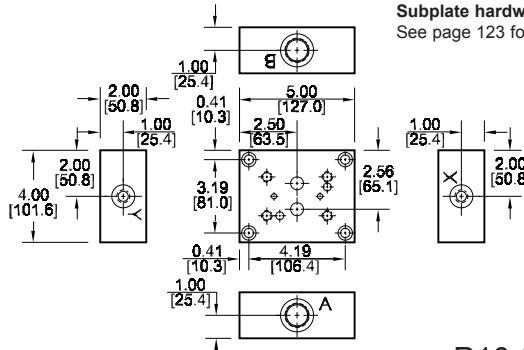
## Ordering Information

Material	Valve Pattern	Product Type	Port Location	Port Threads																																		
<table border="1"> <thead> <tr> <th colspan="2">Material</th> </tr> </thead> <tbody> <tr> <td><b>A</b></td> <td>Aluminum - 6061-T6 3000<sup>†</sup> psi • 20.7 MPa</td> </tr> <tr> <td><b>D</b></td> <td>Ductile Iron - D4512 5000<sup>†</sup> psi • 34.5 MPa</td> </tr> <tr> <td colspan="2"><sup>†</sup> Working pressure should be considered in accordance with ISO 4413 to determine appropriate material type.</td> </tr> </tbody> </table>	Material		<b>A</b>	Aluminum - 6061-T6 3000 <sup>†</sup> psi • 20.7 MPa	<b>D</b>	Ductile Iron - D4512 5000 <sup>†</sup> psi • 34.5 MPa	<sup>†</sup> Working pressure should be considered in accordance with ISO 4413 to determine appropriate material type.		<table border="1"> <thead> <tr> <th colspan="2">Valve Pattern</th> </tr> </thead> <tbody> <tr> <td><b>2F06</b></td> <td>ISO 6263-06-05 NFFPA T3.5.1-2F06 See Tech Information</td> </tr> <tr> <td><b>2F07</b></td> <td>ISO 6263-07-09 NFFPA T3.5.1-2F07 See Tech Information</td> </tr> </tbody> </table>	Valve Pattern		<b>2F06</b>	ISO 6263-06-05 NFFPA T3.5.1-2F06 See Tech Information	<b>2F07</b>	ISO 6263-07-09 NFFPA T3.5.1-2F07 See Tech Information	<table border="1"> <thead> <tr> <th colspan="2">Product Type</th> </tr> </thead> <tbody> <tr> <td><b>SP</b></td> <td>Subplate</td> </tr> </tbody> </table>	Product Type		<b>SP</b>	Subplate	<table border="1"> <thead> <tr> <th colspan="2">Port Location</th> </tr> </thead> <tbody> <tr> <td><b>S</b></td> <td>Side ported</td> </tr> </tbody> </table>	Port Location		<b>S</b>	Side ported	<table border="1"> <thead> <tr> <th colspan="2">Port Threads</th> </tr> </thead> <tbody> <tr> <td colspan="2">2F06 only</td> </tr> <tr> <td><b>6P</b></td> <td>0.38-18 NPTF ANSI B1.20.3</td> </tr> <tr> <td colspan="2">2F06 or 2F07</td> </tr> <tr> <td><b>8P</b></td> <td>0.50-14 NPTF ANSI B1.20.3</td> </tr> <tr> <td><b>8S</b></td> <td>-8 SAE ISO 11926; SAE 1926</td> </tr> </tbody> </table>	Port Threads		2F06 only		<b>6P</b>	0.38-18 NPTF ANSI B1.20.3	2F06 or 2F07		<b>8P</b>	0.50-14 NPTF ANSI B1.20.3	<b>8S</b>	-8 SAE ISO 11926; SAE 1926
Material																																						
<b>A</b>	Aluminum - 6061-T6 3000 <sup>†</sup> psi • 20.7 MPa																																					
<b>D</b>	Ductile Iron - D4512 5000 <sup>†</sup> psi • 34.5 MPa																																					
<sup>†</sup> Working pressure should be considered in accordance with ISO 4413 to determine appropriate material type.																																						
Valve Pattern																																						
<b>2F06</b>	ISO 6263-06-05 NFFPA T3.5.1-2F06 See Tech Information																																					
<b>2F07</b>	ISO 6263-07-09 NFFPA T3.5.1-2F07 See Tech Information																																					
Product Type																																						
<b>SP</b>	Subplate																																					
Port Location																																						
<b>S</b>	Side ported																																					
Port Threads																																						
2F06 only																																						
<b>6P</b>	0.38-18 NPTF ANSI B1.20.3																																					
2F06 or 2F07																																						
<b>8P</b>	0.50-14 NPTF ANSI B1.20.3																																					
<b>8S</b>	-8 SAE ISO 11926; SAE 1926																																					

# P06, P08, P10 Pressure Control Subplates

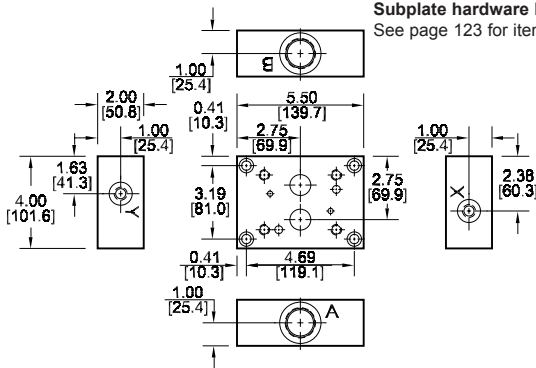
P06 Side Ported Subplate

Valve mtg: UNC 0.38-16 x 1.00 [25] DP  
 X & Y Ports: 0.38-18 NPTF or -6 SAE.  
 Subplate hardware kit is supplied.  
 See page 123 for itemized list.



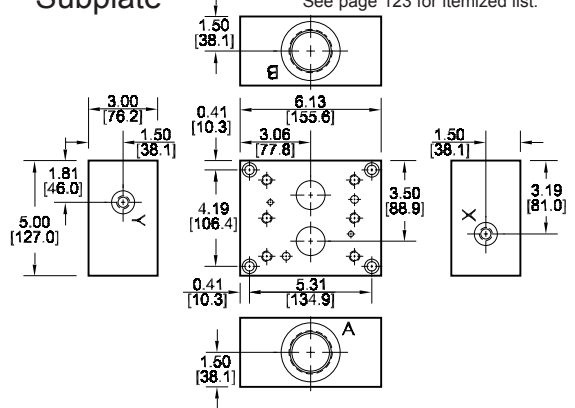
P08 Side Ported Subplate

Valve mtg: UNC 0.38-16 x 1.00 [25] DP  
 X & Y Ports: 0.38-18 NPTF or -6 SAE.  
 Subplate hardware kit is supplied.  
 See page 123 for itemized list.



P10 Side Ported Subplate

Valve mtg: UNC 0.38-16 x 1.00 [25] DP  
 X & Y Ports: 0.38-18 NPTF or -6 SAE.  
 Subplate hardware kit is supplied.  
 See page 123 for itemized list.



Specifications, descriptions, and dimensional data are subject to correction or change without notice or incurring obligation. Download latest catalog page revisions at [www.daman.com](http://www.daman.com).

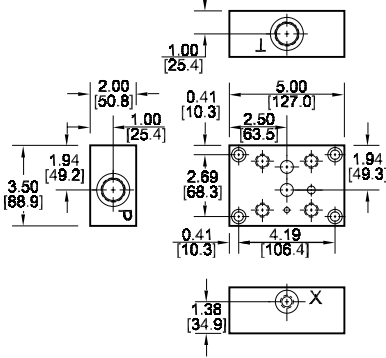
## Ordering Information

Material		Valve Pattern		Product Type		Port Location		Port Threads																																																																			
<table border="1"> <tr> <th>Material</th> <td></td> </tr> <tr> <td><b>A</b></td> <td>Aluminum - 6061-T6 3000<sup>†</sup> psi • 20.7 MPa</td> </tr> <tr> <td><b>D</b></td> <td>Ductile Iron - D4512 5000<sup>†</sup> psi • 34.5 MPa</td> </tr> <tr> <td colspan="2"> <sup>†</sup> Working pressure should be considered in accordance with ISO 4413 to determine appropriate material type.                 </td> </tr> </table>		Material		<b>A</b>	Aluminum - 6061-T6 3000 <sup>†</sup> psi • 20.7 MPa	<b>D</b>	Ductile Iron - D4512 5000 <sup>†</sup> psi • 34.5 MPa	<sup>†</sup> Working pressure should be considered in accordance with ISO 4413 to determine appropriate material type.		<table border="1"> <tr> <th>Valve Pattern</th> <td></td> </tr> <tr> <td><b>P06</b></td> <td>ISO 6264-06-07 ISO 5781-06-07 NFFPA T3.5.1-[R]P06 See Tech Information</td> </tr> <tr> <td><b>P08</b></td> <td>ISO 6264-08-11 ISO 5781-08-10 NFFPA T3.5.1-[R]P08 See Tech Information</td> </tr> <tr> <td><b>P10</b></td> <td>ISO 6264-10-15 ISO 5781-10-13 NFFPA T3.5.1-[R]P10 See Tech Information</td> </tr> </table>		Valve Pattern		<b>P06</b>	ISO 6264-06-07 ISO 5781-06-07 NFFPA T3.5.1-[R]P06 See Tech Information	<b>P08</b>	ISO 6264-08-11 ISO 5781-08-10 NFFPA T3.5.1-[R]P08 See Tech Information	<b>P10</b>	ISO 6264-10-15 ISO 5781-10-13 NFFPA T3.5.1-[R]P10 See Tech Information	<table border="1"> <tr> <th>Product Type</th> <td></td> </tr> <tr> <td><b>SP</b></td> <td>Subplate</td> </tr> </table>		Product Type		<b>SP</b>	Subplate	<table border="1"> <tr> <th>Port Location</th> <td></td> </tr> <tr> <td><b>S</b></td> <td>Side ported</td> </tr> </table>		Port Location		<b>S</b>	Side ported	<table border="1"> <tr> <th colspan="4">Port Threads</th> </tr> <tr> <td colspan="4" style="text-align: center;">P06 only</td> </tr> <tr> <td><b>08P</b></td> <td>0.50-14 NPTF ANSI B1.20.3</td> <td><b>08S</b></td> <td>-8 SAE ISO 11926; SAE 1926</td> </tr> <tr> <td colspan="4" style="text-align: center;">P06 or P08</td> </tr> <tr> <td><b>12P</b></td> <td>0.75-14 NPTF ANSI B1.20.3</td> <td><b>12S</b></td> <td>-12 SAE ISO 11926; SAE 1926</td> </tr> <tr> <td colspan="4" style="text-align: center;">P08 only</td> </tr> <tr> <td><b>16P</b></td> <td>1.00-11.5 NPTF ANSI B1.20.3</td> <td><b>16S</b></td> <td>-16 SAE ISO 11926; SAE 1926</td> </tr> <tr> <td colspan="4" style="text-align: center;">P10 only</td> </tr> <tr> <td><b>20P</b></td> <td>1.25-11.5 NPTF ANSI B1.20.3</td> <td><b>20S</b></td> <td>-20 SAE ISO 11926; SAE 1926</td> </tr> <tr> <td><b>24P</b></td> <td>1.50-11.5 NPTF ANSI B1.20.3</td> <td><b>24S</b></td> <td>-24 SAE ISO 11926; SAE 1926</td> </tr> </table>				Port Threads				P06 only				<b>08P</b>	0.50-14 NPTF ANSI B1.20.3	<b>08S</b>	-8 SAE ISO 11926; SAE 1926	P06 or P08				<b>12P</b>	0.75-14 NPTF ANSI B1.20.3	<b>12S</b>	-12 SAE ISO 11926; SAE 1926	P08 only				<b>16P</b>	1.00-11.5 NPTF ANSI B1.20.3	<b>16S</b>	-16 SAE ISO 11926; SAE 1926	P10 only				<b>20P</b>	1.25-11.5 NPTF ANSI B1.20.3	<b>20S</b>	-20 SAE ISO 11926; SAE 1926	<b>24P</b>	1.50-11.5 NPTF ANSI B1.20.3	<b>24S</b>	-24 SAE ISO 11926; SAE 1926
Material																																																																											
<b>A</b>	Aluminum - 6061-T6 3000 <sup>†</sup> psi • 20.7 MPa																																																																										
<b>D</b>	Ductile Iron - D4512 5000 <sup>†</sup> psi • 34.5 MPa																																																																										
<sup>†</sup> Working pressure should be considered in accordance with ISO 4413 to determine appropriate material type.																																																																											
Valve Pattern																																																																											
<b>P06</b>	ISO 6264-06-07 ISO 5781-06-07 NFFPA T3.5.1-[R]P06 See Tech Information																																																																										
<b>P08</b>	ISO 6264-08-11 ISO 5781-08-10 NFFPA T3.5.1-[R]P08 See Tech Information																																																																										
<b>P10</b>	ISO 6264-10-15 ISO 5781-10-13 NFFPA T3.5.1-[R]P10 See Tech Information																																																																										
Product Type																																																																											
<b>SP</b>	Subplate																																																																										
Port Location																																																																											
<b>S</b>	Side ported																																																																										
Port Threads																																																																											
P06 only																																																																											
<b>08P</b>	0.50-14 NPTF ANSI B1.20.3	<b>08S</b>	-8 SAE ISO 11926; SAE 1926																																																																								
P06 or P08																																																																											
<b>12P</b>	0.75-14 NPTF ANSI B1.20.3	<b>12S</b>	-12 SAE ISO 11926; SAE 1926																																																																								
P08 only																																																																											
<b>16P</b>	1.00-11.5 NPTF ANSI B1.20.3	<b>16S</b>	-16 SAE ISO 11926; SAE 1926																																																																								
P10 only																																																																											
<b>20P</b>	1.25-11.5 NPTF ANSI B1.20.3	<b>20S</b>	-20 SAE ISO 11926; SAE 1926																																																																								
<b>24P</b>	1.50-11.5 NPTF ANSI B1.20.3	<b>24S</b>	-24 SAE ISO 11926; SAE 1926																																																																								

# R06, R08, I08, R10, I10 Relief Valve Subplates

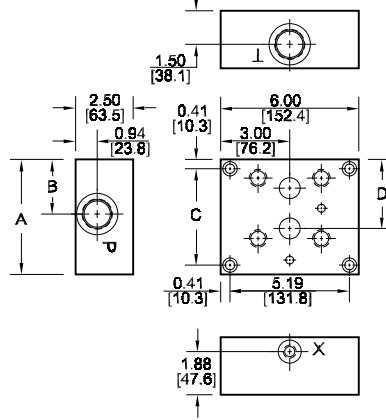
## R06 (I06) Side Ported Subplate

Valve mtg: UNC 0.50-13 x 1.00 [25] DP  
 X Port: 0.38-18 NPTF or -6 SAE.  
 Subplate hardware kit is supplied.  
 See page 123 for itemized list.



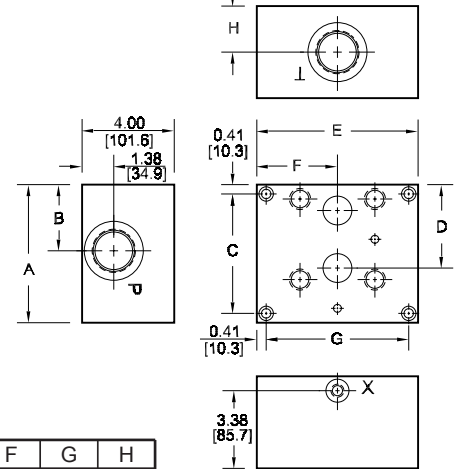
## R08, I08 Side Ported Subplate

Valve mtg: UNC 0.63-11 x 1.44 [36] DP  
 X Port: 0.38-18 NPTF or -6 SAE.  
 Subplate hardware kit is supplied.  
 See page 123 for itemized list.



## R10, I10 Side Ported Subplate

Valve mtg: UNC 0.75-10 x 1.63 [41] DP  
 X Port: 0.38-18 NPTF or -6 SAE.  
 Subplate hardware kit is supplied.  
 See page 123 for itemized list.



Dimension	A	B	C	D	E	F	G	H
*R08SPS12*	5.00	2.38	4.19	3.00	--	--	--	--
*R08SPS16*	[127.0]	[60.3]	[106.4]	[76.2]	--	--	--	--
*I08SPS12*	4.50	2.44	3.69	2.75	--	--	--	--
*I08SPS16*	[114.3]	[61.9]	[93.7]	[69.9]	--	--	--	--
*R10SPS20*	6.00	2.88	5.19	3.63	7.00	3.50	6.19	2.00
*R10SPS24*	[152.4]	[73.0]	[131.8]	[92.1]	[177.8]	[88.9]	[157.2]	[50.8]
*I10SPS20*	5.00	2.38	4.19	3.06	7.38	3.69	6.56	2.63
*I10SPS24*	[127.0]	[60.3]	[106.4]	[77.8]	[187.3]	[93.7]	[166.7]	[66.7]

Specifications, descriptions, and dimensional data are subject to correction or change without notice or incurring obligation.  
 Download latest catalog page revisions at [www.daman.com](http://www.daman.com).

## Ordering Information

Material	Valve Pattern	Product Type	Port Location	Port Threads																																																																				
<table border="1"> <thead> <tr> <th colspan="2">Material</th> </tr> </thead> <tbody> <tr> <td><b>A</b></td> <td>Aluminum - 6061-T6 3000† psi • 20.7 MPa</td> </tr> <tr> <td><b>D</b></td> <td>Ductile Iron - D4512 5000† psi • 34.5 MPa</td> </tr> <tr> <td colspan="2">† Working pressure should be considered in accordance with ISO 4413 to determine appropriate material type.</td> </tr> </tbody> </table>	Material		<b>A</b>	Aluminum - 6061-T6 3000† psi • 20.7 MPa	<b>D</b>	Ductile Iron - D4512 5000† psi • 34.5 MPa	† Working pressure should be considered in accordance with ISO 4413 to determine appropriate material type.		<table border="1"> <thead> <tr> <th colspan="2">Valve Pattern</th> </tr> </thead> <tbody> <tr> <td><b>R06</b></td> <td>ISO 6264-06-09 NFPA T3.5.1-R06 See Tech Information</td> </tr> <tr> <td><b>R08</b></td> <td>ISO 6264-08-13 NFPA T3.5.1-R08 See Tech Information</td> </tr> <tr> <td><b>I08</b></td> <td>NFPA T3.5.1-RV08 See Tech Information</td> </tr> <tr> <td><b>R10</b></td> <td>ISO 6264-10-17 NFPA T3.5.1-R10 See Tech Information</td> </tr> <tr> <td><b>I10</b></td> <td>NFPA T3.5.1-RV10 See Tech Information</td> </tr> </tbody> </table>	Valve Pattern		<b>R06</b>	ISO 6264-06-09 NFPA T3.5.1-R06 See Tech Information	<b>R08</b>	ISO 6264-08-13 NFPA T3.5.1-R08 See Tech Information	<b>I08</b>	NFPA T3.5.1-RV08 See Tech Information	<b>R10</b>	ISO 6264-10-17 NFPA T3.5.1-R10 See Tech Information	<b>I10</b>	NFPA T3.5.1-RV10 See Tech Information	<table border="1"> <thead> <tr> <th colspan="2">Product Type</th> </tr> </thead> <tbody> <tr> <td><b>SP</b></td> <td>Subplate</td> </tr> </tbody> </table>	Product Type		<b>SP</b>	Subplate	<table border="1"> <thead> <tr> <th colspan="2">Port Location</th> </tr> </thead> <tbody> <tr> <td><b>S</b></td> <td>Side ported</td> </tr> </tbody> </table>	Port Location		<b>S</b>	Side ported	<table border="1"> <thead> <tr> <th colspan="4">Port Threads</th> </tr> <tr> <th colspan="4">R06 only</th> </tr> </thead> <tbody> <tr> <td><b>08P</b></td> <td>0.50-14 NPTF ANSI B1.20.3</td> <td><b>08S</b></td> <td>-8 SAE ISO 11926; SAE 1926</td> </tr> <tr> <th colspan="4">R06, R08, or I08</th> </tr> <tr> <td><b>12P</b></td> <td>0.75-14 NPTF ANSI B1.20.3</td> <td><b>12S</b></td> <td>-12 SAE ISO 11926; SAE 1926</td> </tr> <tr> <th colspan="4">R08 or I08</th> </tr> <tr> <td><b>16P</b></td> <td>1.00-11.5 NPTF ANSI B1.20.3</td> <td><b>16S</b></td> <td>-16 SAE ISO 11926; SAE 1926</td> </tr> <tr> <th colspan="4">R10 or I10</th> </tr> <tr> <td><b>20P</b></td> <td>1.25-11.5 NPTF ANSI B1.20.3</td> <td><b>20S</b></td> <td>-20 SAE ISO 11926; SAE 1926</td> </tr> <tr> <td><b>24P</b></td> <td>1.50-11.5 NPTF ANSI B1.20.3</td> <td><b>24S</b></td> <td>-24 SAE ISO 11926; SAE 1926</td> </tr> </tbody> </table>	Port Threads				R06 only				<b>08P</b>	0.50-14 NPTF ANSI B1.20.3	<b>08S</b>	-8 SAE ISO 11926; SAE 1926	R06, R08, or I08				<b>12P</b>	0.75-14 NPTF ANSI B1.20.3	<b>12S</b>	-12 SAE ISO 11926; SAE 1926	R08 or I08				<b>16P</b>	1.00-11.5 NPTF ANSI B1.20.3	<b>16S</b>	-16 SAE ISO 11926; SAE 1926	R10 or I10				<b>20P</b>	1.25-11.5 NPTF ANSI B1.20.3	<b>20S</b>	-20 SAE ISO 11926; SAE 1926	<b>24P</b>	1.50-11.5 NPTF ANSI B1.20.3	<b>24S</b>	-24 SAE ISO 11926; SAE 1926
Material																																																																								
<b>A</b>	Aluminum - 6061-T6 3000† psi • 20.7 MPa																																																																							
<b>D</b>	Ductile Iron - D4512 5000† psi • 34.5 MPa																																																																							
† Working pressure should be considered in accordance with ISO 4413 to determine appropriate material type.																																																																								
Valve Pattern																																																																								
<b>R06</b>	ISO 6264-06-09 NFPA T3.5.1-R06 See Tech Information																																																																							
<b>R08</b>	ISO 6264-08-13 NFPA T3.5.1-R08 See Tech Information																																																																							
<b>I08</b>	NFPA T3.5.1-RV08 See Tech Information																																																																							
<b>R10</b>	ISO 6264-10-17 NFPA T3.5.1-R10 See Tech Information																																																																							
<b>I10</b>	NFPA T3.5.1-RV10 See Tech Information																																																																							
Product Type																																																																								
<b>SP</b>	Subplate																																																																							
Port Location																																																																								
<b>S</b>	Side ported																																																																							
Port Threads																																																																								
R06 only																																																																								
<b>08P</b>	0.50-14 NPTF ANSI B1.20.3	<b>08S</b>	-8 SAE ISO 11926; SAE 1926																																																																					
R06, R08, or I08																																																																								
<b>12P</b>	0.75-14 NPTF ANSI B1.20.3	<b>12S</b>	-12 SAE ISO 11926; SAE 1926																																																																					
R08 or I08																																																																								
<b>16P</b>	1.00-11.5 NPTF ANSI B1.20.3	<b>16S</b>	-16 SAE ISO 11926; SAE 1926																																																																					
R10 or I10																																																																								
<b>20P</b>	1.25-11.5 NPTF ANSI B1.20.3	<b>20S</b>	-20 SAE ISO 11926; SAE 1926																																																																					
<b>24P</b>	1.50-11.5 NPTF ANSI B1.20.3	<b>24S</b>	-24 SAE ISO 11926; SAE 1926																																																																					

# Subplate Mounting Hardware

Part no.	Cat. pg.	Mounting Screws	Plugs
* D02 SP * 4P, 4S	101	(2) UNC 0.25-20 x 0.88 long SHCS	n/a
* D02 SP * 4B, 4M, 4T	101	(2) ISO 6H M6-1.0 x 22mm SHCS	n/a
* D03 SP * 4P, 6P, 6S	102	(2) UNC 0.25-20 x 0.88 long SHCS	n/a
* D03 SP * 6B, 6M, 6T	102	(2) ISO 6H M6-1.0 x 22mm SHCS	n/a
* D03 SP * 8P, 8S	102	(2) UNC 0.25-20 x 1.50 long SHCS	n/a
* D03 SP * 8B, 8M, 8T	102	(2) ISO 6H M6-1.0 x 40mm SHCS	n/a
* D03 SP S 12P, 12S	102	(2) UNC 0.38-16 x 1.75 long SHCS	n/a
* D03 SP S 12B, 12M, 12T	102	(2) ISO 6H M10-1.5 x 45mm SHCS	n/a
* D03 SP B 12P, 12S	102	(2) UNC 0.38-16 x 1.50 long SHCS	n/a
* D03 SP B 12B, 12M, 12T	102	(2) ISO 6H M10-1.5 x 40mm SHCS	n/a
* D03 SP SB 6P	103	(2) UNC 0.25-20 x 1.50 long SHCS	(2) 0.38-18 NPTF LSPP
* D03 SP SB 6S	103		(2) -6 SAE hex socket plug
* D03 SP SB 6B, 6M, 6T	103	(2) ISO 6H M6-1.0 x 40mm SHCS	n/a
* D03 SP SB 8P	103	(2) UNC 0.25-20 x 2.00 long SHCS	(2) 0.50-14 NPTF LSPP
* D03 SP SB 8S	103		(2) -8 SAE hex socket plug
* D03 SP SB 8B, 8M, 8T	103	(2) ISO 6H M6-1.0 x 50mm SHCS	n/a
* D03 SP M 8*	103	(4) UNC 0.31-18 x 2.50 long SHCS	n/a
* D03 SP RV * 6P	104	(2) UNC 0.31-18 x 2.25 long SHCS	(2) 0.38-18 NPTF LSPP
* D03 SP RV * 6S	104		(2) -6 SAE hex socket plug
* D03 SP RV * 6B, 6M, 6T	104	(2) ISO 6H M8-1.25 x 60mm SHCS	n/a
* D03 SP RV * 8P	104	(2) UNC 0.38-16 x 3.00 long SHCS	(2) 0.50-14 NPTF LSPP
* D03 SP RV * 8S	104		(2) -8 SAE hex socket plug
* D03 SP RV * 8B, 8M, 8T	104	(2) ISO 6H M10-1.5 x 75mm SHCS	n/a
* D03 SP RV * 12P	104	(2) UNC 0.38-16 x 3.00 long SHCS	(2) 0.75-14 NPTF LSPP
* D03 SP RV * 12S	104		(2) -12 SAE hex socket plug
* D03 SP RV * 12B, 12M, 12T	104	(2) ISO 6H M10-1.5 x 75mm SHCS	n/a
* D03 SP CR * 6P, 6S	105	(2) UNC 0.31-18 x 2.50 long SHCS	n/a
* D03 SP CR * 6B, 6M, 6T	105	(2) ISO 6H M8-1.25 x 65mm SHCS	n/a
* D03 SP CR * 12P, 12S	105	(2) UNC 0.38-16 x 4.00 long SHCS	n/a
* D03 SP CR * 12B, 12M, 12T	105	(2) ISO 6H M10-1.5 x 100mm SHCS	n/a
* D05 SP S 6P, 8P, 8S	106	(2) UNC 0.38-16 x 1.25 long SHCS	n/a
* D05 SP S 8B, 8M, 8T	106	(2) ISO 6H M10-1.5 x 35mm SHCS	n/a
* D05 SP B 6P, 8P, 8S	106	(2) UNC 0.38-16 x 1.25 long SHCS	n/a
* D05 SP B 8B, 8M, 8T	106	(2) ISO 6H M10-1.5 x 35mm SHCS	n/a
* D05 SP SB 8P	107	(2) UNC 0.38-16 x 1.50 long SHCS	(2) 0.50-14 NPTF LSPP
* D05 SP SB 8S	107		(2) -8 SAE hex socket plug
* D05 SP SB 8B, 8M, 8T	107	(2) ISO 6H M10-1.5 x 40mm SHCS	n/a
* D05H(E) SP * 12P, 12S	108, 109	(2) UNC 0.38-16 x 1.75 long SHCS	n/a
* D05H(E) SP * 12B, 12M, 12T	108, 109	(2) ISO 6H M10-1.5 x 45mm SHCS	n/a
* D05J(E) SP S 16P, 16S	108, 109	(2) UNC 0.38-16 x 3.00 long SHCS	n/a
* D05J(E) SP S 16B, 16M, 16T	108, 109	(2) ISO 6H M10-1.5 x 75mm SHCS	n/a
* D05J(E) SP B 16P, 16S	108, 109	(2) UNC 0.38-16 x 3.25 long SHCS	n/a
* D05J(E) SP B 16B, 16M, 16T	108, 109	(2) ISO 6H M10-1.5 x 90mm SHCS	n/a
* D05 SP RV * 8P	110	(2) UNC 0.38-16 x 2.50 long SHCS	(2) 0.50-14 NPTF LSPP
* D05 SP RV * 8S	110		(2) -8 SAE hex socket plug
* D05 SP RV * 8B, 8M, 8T	110	(2) ISO 6H M10-1.5 x 65mm SHCS	n/a
* D05H SP RV * 12P	111		(2) 0.25-18 NPTF LSPP
			(2) 0.75-14 NPTF LSPP
* D05H SP RV * 12S	111	(2) UNC 0.38-16 x 3.00 long SHCS	(2) -4 SAE hex socket plug
			(2) -12 SAE hex socket plug
* D05H SP RV * 12B, 12M, 12T	111	(2) ISO 6H M10-1.5 x 75mm SHCS	n/a

# Subplate Mounting Hardware

Part no.	Cat. pg.	Mounting Screws	Plugs
* D05J SP RV * 16P	111	(2) UNC 0.38-16 x 4.00 long SHCS	(2) 0.25-18 NPTF LSPP
* D05J SP RV * 16S	111		(2) 1.00-11.5 NPTF LSPP
* D05J SP RV * 16B, 16M, 16T	111	(2) ISO 6H M10-1.5 x 100mm SHCS	(2) -4 SAE hex socket plug (2) -16 SAE hex socket plug
* D05 SP CR * 8P, 8S	110	(2) UNC 0.38-16 x 2.00 long SHCS	n/a
* D05 SP CR * 8B, 8M, 8T	110	(2) ISO 6H M10-1.5 x 50mm SHCS	n/a
* D05H SP CR * 12P	112	(2) UNC 0.38-16 x 4.50 long SHCS	(2) 0.25-18 NPTF LSPP
* D05H SP CR * 12S	112		(2) -4 SAE hex socket plug
* D05H SP CR * 12B, 12M, 12T	112	(2) ISO 6H M10-1.5 x 120mm SHCS	n/a
* D05J SP CR * 16P	112	(2) UNC 0.38-16 x 4.50 long SHCS	(2) 0.25-18 NPTF LSPP
* D05J SP CR * 16S	112		(2) -4 SAE hex socket plug
* D05J SP CR * 16B, 16M, 16T	112	(2) ISO 6H M10-1.5 x 120mm SHCS	n/a
* D07 SP S* 12P, 12S	113	(2) UNC 0.38-16 x 1.25 long SHCS	n/a
* D07 SP S* 12B, 12M, 12T	113	(2) ISO 6H M10-1.5 x 35mm SHCS	n/a
* D07 SP SO 16P, 16S	113	(2) UNC 0.38-16 x 3.00 long SHCS	n/a
* D07 SP SO 16B, 16M, 16T	113	(2) ISO 6H M10-1.5 x 75mm SHCS	n/a
* D07 SP B 12P, 12S	113	(2) UNC 0.38-16 x 1.50 long SHCS	n/a
* D07 SP B 12B, 12M, 12T	113	(2) ISO 6H M10-1.5 x 35mm SHCS	n/a
* D07 SP B 16P, 16S	113	(2) UNC 0.38-16 x 2.75 long SHCS	n/a
* D07 SP B 16B, 16M, 16T	113	(2) ISO 6H M10-1.5 x 70mm SHCS	n/a
* D07 SP RV C 12P	114	(2) UNC 0.38-16 x 2.75 long SHCS	(2) 0.75-14 NPTF LSPP
* D07 SP RV C 12S	114		(2) -12 SAE hex socket plug
* D07 SP RV C 12B, 12M, 12T	114	(2) ISO 6H M10-1.5 x 70mm SHCS	n/a
* D07 SP RV S 12P	114	(2) UNC 0.38-16 x 2.50 long SHCS	(2) 0.75-14 NPTF LSPP
* D07 SP RV S 12S	114		(2) -12 SAE hex socket plug
* D07 SP RV S 12B, 12M, 12T	114	(2) ISO 6H M10-1.5 x 65mm SHCS	n/a
* D07 SP RV * 16P	114	(2) UNC 0.38-16 x 4.00 long SHCS	(2) 1.00-11.5 NPTF LSPP
* D07 SP RV * 16S	114		(2) -16 SAE hex socket plug
* D07 SP RV * 16B, 16M, 16T	114	(2) ISO 6H M10-1.5 x 100mm SHCS	n/a
* D08 SP S* 12P, 16P, 16S	115	(2) UNC 0.50-13 x 1.75 long SHCS	n/a
* D08 SP S* 16B, 16M, 16T	115	(2) ISO 6H M12-1.75 x 45mm SHCS	n/a
* D08 SP SO 20P, 20S	115	(2) UNC 0.50-13 x 3.00 long SHCS	n/a
* D08 SP SO 20B, 20M, 20T	115	(2) ISO 6H M12-1.75 x 75mm SHCS	n/a
* D08 SP B 12P, 16P, 16S	115	(2) UNC 0.50-13 x 1.50 long SHCS	n/a
* D08 SP B 16B, 16M, 16T	115	(2) ISO 6H M12-1.75 x 40mm SHCS	n/a
* D08 SP B 20P, 20S	115	(4) UNC 0.38-16 x 2.00 long SHCS	n/a
* D08 SP B 20B, 20M, 20T	115	(4) ISO 6H M10-1.5 x 50mm SHCS	n/a
* D08 SP RV * 16P	116	(2) UNC 0.38-16 x 3.00 long SHCS	(2) 1.00-11.5 NPTF LSPP
* D08 SP RV * 16S	116		(2) -16 SAE hex socket plug
* D08 SP RV * 16B, 16M, 16T	116	(2) ISO 6H M10-1.5 x 75mm SHCS	n/a
* D08 SP RV * 20P	116	n/a	(2) 1.25-11.5 NPTF LSPP
* D08 SP RV * 20S	116		(2) -20 SAE hex socket plug
* D08 SP RV * 20B, 20M, 20T	116	n/a	n/a

# Subplate Mounting Hardware

Part no.	Cat. pg.	Mounting Screws	Plugs
* D10 SP S O 20P	117	(4) UNC 0.50-13 x 3.50 long SHCS	n/a
* D10 SP S O 24P, 24S	117	(4) UNC 0.50-13 x 4.00 long SHCS	n/a
* D10 SP S O 32P, 32S	117	(4) UNC 0.50-13 x 4.50 long SHCS	n/a
* D10 SP B 20P	117	(4) UNC 0.50-13 x 2.00 long SHCS	n/a
* D10 SP B 24P, 24S	117	(4) UNC 0.50-13 x 2.00 long SHCS	n/a
* D10 SP B 32P, 32S	117	(4) UNC 0.50-13 x 2.50 long SHCS	n/a
* 2F06 SP S 6P, 8P, 8S	118	(2) UNC 0.38-16 x 1.25 long SHCS	n/a
* 2F07 SP S 8P, 8S	118	(2) UNC 0.38-16 x 1.25 long SHCS	n/a
* P06 SP S 08P, 08S, 12P, 12S	119	(4) UNC 0.38-16 x 2.00 long SHCS	n/a
* P08 SP S 12P, 12S, 16P, 16S	119	(4) UNC 0.38-16 x 2.00 long SHCS	n/a
* P10 SP S 20P, 20S, 24P, 24S	119	(4) UNC 0.38-16 x 3.00 long SHCS	n/a
* R06 SP S 08P, 08S, 12P, 12S	120	(4) UNC 0.38-16 x 2.00 long SHCS	n/a
* R08 SP S 12P, 12S, 16P, 16S	120	(4) UNC 0.38-16 x 2.50 long SHCS	n/a
* I08 SP S 12P, 12S, 16P, 16S	120	(4) UNC 0.38-16 x 2.50 long SHCS	n/a
* R10 SP S 20P, 20S, 24P, 24S	120	(4) UNC 0.38-16 x 4.00 long SHCS	n/a
* I10 SP S 20P, 20S, 24P, 24S	120	(4) UNC 0.38-16 x 4.00 long SHCS	n/a

Custom Products

Standard Manifolds

Cover Plates

Valve Adaptors

Subplates

Servo Valve Subplates

Tapping Plates

DIN Cartridge Valve Bodies

Header and Junction Blocks

Technical Information