

Hydraulic Valve Manifolds Better System Design Begins with a Manifold.

SERVO VALVE SUBPLATES

Servo Valve Cross Reference	Pages 125-127
S01 (0.480 port circle) Subplate	Page 128
S02, S83 (0.625 port circle) Subplate	Page 129
S03, S71 (0.780 port circle) Subplate	Page 129
S72 (0.938 port circle) Subplate	Page 129
S85 (0.850 port circle) Subplate	Page 129
S02 (0.625 port circle) Tapping Plate	Page 129
S71 (0.780 port circle) Tapping Plate	Page 129
S04 (0.875 port circle) Subplate	Page 130
S04 (0.875 port circle) Tapping Plate	Page 130
S06 (2.000 port circle) Subplate	Page 131
S06 (2.000 port circle) Tapping plate	Page 131
S73 (1.375 port circle) Subplate	Page 132
S74 (1.750 port circle) Subplate	Page 133
S76 Subplate	Page 134
S77 (1.750 port circle) Subplate	Page 135
S78 Subplate	Page 136
S82 Subplate	Page 137
S87 Subplate	Page 137
S90 Subplate	Page 138
S92 Subplate	Page 138
D05 Servo Tapping Plate	Page 139
Mounting Hardware	Page 140

Servo Valve Cross Reference

Daman pattern no.	ISO no.	Port Circle	CEI	HR Textron	Moog	Moog / Atchley	Moog / Pegasus	MTS	Parker	Rexroth	Vickers
S01	10372-01	0.480	--	27A ¹⁾⁵⁾	30 ¹⁾⁵⁾ 260 ¹⁾⁵⁾	--	--	--	SEMT ¹⁾	--	--
S02	10372-02	0.625	JP-5 JP-10	--	31 261 ¹⁾ 77-100 ⁶⁾ 771 774	206 ¹⁾⁶⁾ 208A ³⁾ 209 ¹⁾	20 ²⁾ 105H ²⁾ 122A ²⁾ 125	--	SE05	--	--
S03	10372-03	0.780	--	--	77-200	207- optional ¹⁾⁷⁾	132A ²⁾¹²⁾	--	--	--	SM4-12 SX4-12
S04	10372-04	0.875	90700 JP-20	27E	62 730 730-HP8 760 ⁴⁾ 760-HP8 761HR ⁴⁾ D761 D765 ³⁾ G761	215A ³⁾ 320	142M ¹⁾ 142MP ²⁾⁴⁾ 162M ²⁾ 162MP ²⁾⁴⁾	252.2X 252.4X	BD15 PH76 SE20 ³⁾ SE2E ³⁾	4WS*2E*10A-4X ³⁾⁹⁾	SM4-20 ⁴⁾ SX4-20 ⁴⁾
S06	10372-06	2.000	--	--	72 ³⁾ 79-100 ⁴⁾⁸⁾ D791 ⁴⁾	261 ¹⁾	1282A 1282AD 1282ADL 1282B	252.3X	SE60 ³⁾	4WS*2E*16A-2X ³⁾¹⁰⁾	--
S71	--	0.780	--	27C ¹⁾	15 32 34 262 ¹⁾ 264 ¹⁾ 755 772 77-200- optional	207 ¹⁾¹¹⁾ 211A ³⁾ 214 ¹⁾³⁾	--	--	SE10	--	--
S72	--	0.938	JP-15	--	773 77-500	218 ¹⁾	142A ²⁾¹²⁾ 162A ²⁾¹²⁾ 162R ²⁾¹²⁾ 212 ²⁾¹²⁾ 235 ²⁾¹²⁾	--	SE15	--	SM4-15 SX4-15
S73	--	1.375	JP-25	--	743 ³⁾	225A ³⁾ 225B ³⁾	--	--	SE2N	--	--
S74	--	1.750	--	--	--	--	1330	--	--	--	--

NOTES:

- 1) This valve does not have a locating pin, therefore the pattern does not require a locating pin hole.
- 2) The A & B (C1 & C2) ports are reversed on these valves compared to the ISO standard or the majority of other manufacturers valves.
- 3) These valves have an optional pilot port conforming to ISO standards or the majority of other manufacturers valves.
- 4) These valves have an optional pilot port which does not conform to ISO standards.
- 5) These valves use mounting threads which do not conform to the ISO standard of M4.
- 6) The S02 mounting pattern has #10-32 or M5 mounting threads. If using the optional 1/4-20 or M6 bolts use the S83 valve pattern.
- 7) The S03 mounting pattern has #1/4-20 or M6 mounting threads. If using the optional #10-32 or M5 bolts use the S71 valve pattern.
- 8) The ports on this valve are 90 degrees out of phase with the ISO standard and all other valves using this pattern.
- 9) Manufacturer's catalog states that this valve is also in conformance with CETOP RP115H type 4.
- 10) Manufacturer's catalog states that this valve is also in conformance with CETOP RP115H type 5.
- 11) The S71 mounting pattern has #10-32 or M5 mounting threads. If using the optional 1/4-20 or M6 bolts use the S03 valve pattern.
- 12) Manufacturer calls for 1/4-28 valve mounting threads. Daman's S03 & S72 standard products have 1/4-20 threads.

Servo Valve Cross Reference

Daman pattern no.	ISO no.	Port Circle	CEI	Continental	HR Textron	Moog	Moog / Atchley	Moog / Pegasus	Parker / Dyval	Rexroth	Vickers
S75 ¹⁾	--	2.750	--	--	--	--	3100	--	--	--	--
S76	--	--	--	--	--	62-300	241	--	--	--	SM4-30
S77	--	1.750	90800 JP-40	--	27G	78	240	180L ³⁾⁷⁾ 180R ³⁾⁷⁾	BD30	--	SM4-40 ⁴⁾
S78	--	--	--	--	--	79-200 79-200HR D792	--	1800	--	--	--
S79 ¹⁾	--	--	--	--	--	D643- optional ⁵⁾ D644- optional ⁵⁾	--	--	--	--	--
S81 ¹⁾	--	--	--	--	--	--	231 242	--	--	--	--
S82	--	--	--	--	--	--	--	--	--	4DS*1E02-1X	--
S83	--	0.625	--	--	--	77-100- optional ⁶⁾	206- optional ²⁾⁶⁾	--	--	--	SM4-10 SX4-10
S84 ¹⁾	--	0.740	--	--	--	--	202PN	--	--	--	--
S85	--	0.850	--	SV850M	--	--	--	--	DY01 DY1S DY05 DY10 10PS DY12	--	--
S86 ¹⁾	--	1.000	--	--	--	265 ²⁾ 35	--	--	--	--	--
S87	--	1.000	--	SV1000M	--	--	--	--	DY15 DY25	--	--
S88 ¹⁾	--	1.800	--	SV1800M	--	--	--	--	DY45 45PS	--	--
S89 ¹⁾	--	--	--	--	--	--	--	--	PC-2	--	--
S90	--	1.000	--	--	--	--	--	--	DY2S 2-SP	--	--
S91 ¹⁾	--	--	--	--	--	--	--	--	5P 10P	--	--
S92	--	--	--	--	--	--	--	--	DY3H DY6H	--	--

NOTES:

- 1) These patterns are identified for reference purposes. Standard subplates are not available. See pages 2-3 for information requesting a custom subplate.
- 2) This valve does not have a locating pin, therefore the pattern does not require a locating pin hole.
- 3) The A & B (C1 & C2) ports are reversed on these valves compared to the ISO standard or the majority of other manufacturers valves.
- 4) These valves have an optional pilot port conforming to ISO standards or the majority of other manufacturers valves.
- 5) The S79 mounting pattern has 7/16-14 mounting threads. If using the optional M12 or 1/2-13 bolts use the D08 valve pattern.
- 6) The S83 mounting pattern has 1/4-20 or M6 mounting threads. If using the optional #10-32 or M5 bolts use the S02 valve pattern.
- 7) Manufacturer calls for 5/16-24 valve mounting threads. Daman's S77 standard products have 5/16-18 threads.

Servo Valve Cross Reference

Daman pattern no.	ISO no.	Port Circle	CEI	HR Textron	Moog	Moog / Atchley / Pegasus	Parker/ Dyval	Rexroth	Vickers
S93 ¹⁾	--	0.850	--	--	--	--	10-1100	--	--
S94 ¹⁾	--	--	--	--	744	290	--	--	--
S95 ¹⁾	--	2.000	--	--	--	--	DY90	--	--
D03	4401-03-03	--	--	27B	D633 ⁵⁾ D636 ⁵⁾ D635 ⁵⁾ D638 ⁵⁾	40	--	4WS*2EM6-1X ²⁾	--
D05HE	4401-05-05	--	--	--	D634 ⁶⁾ D681 ⁷⁾ D661 ⁷⁾ D691 ⁷⁾	--	--	4WS*2E*10-5X	--
D05-S1	4401-05-05	--	--	--	631 ⁴⁾ 631-500 ⁴⁾ 641 ⁴⁾ 641-100 ⁴⁾ 651 ⁴⁾	--	--	--	--
D05-S2	4401-05-05	--	--	--	G631 ⁴⁾	--	--	--	--
D05-S3	4401-05-05	--	--	--	--	--	SE31 ⁴⁾	--	--
D05-S4	4401-05-05	--	--	--	--	--	--	3DS*2E*10-2X ⁴⁾ 4WS*2E*10-4X ⁴⁾	--
D05-S5	4401-05-05	--	90200 ^{4) 16)}	--	--	--	--	--	--
D06	--	--	90300 ⁴⁾	--	--	--	--	--	--
D07	4401-07-06	--	--	--	D642 ^{8) 15)} D662 ⁸⁾ D652 ⁸⁾ D682 ⁸⁾	--	--	4WS*2E*16-2X ³⁾ 4WSE3EE16-1X ³⁾	--
D08	4401-08-07	--	90600	--	D643 ⁹⁾ D663 ¹¹⁾ D644 ⁹⁾ D664 ¹²⁾ D653 ¹⁰⁾ D683 ¹¹⁾ D654 ¹⁰⁾ D684 ¹²⁾	--	--	4WSE3EE25-2X ³⁾	--
D10	4401-10-08	--	--	--	D645 ¹³⁾ D665 ¹⁴⁾ D685 ¹⁴⁾	--	--	4WSE3EE32-4X ³⁾	--

NOTES:

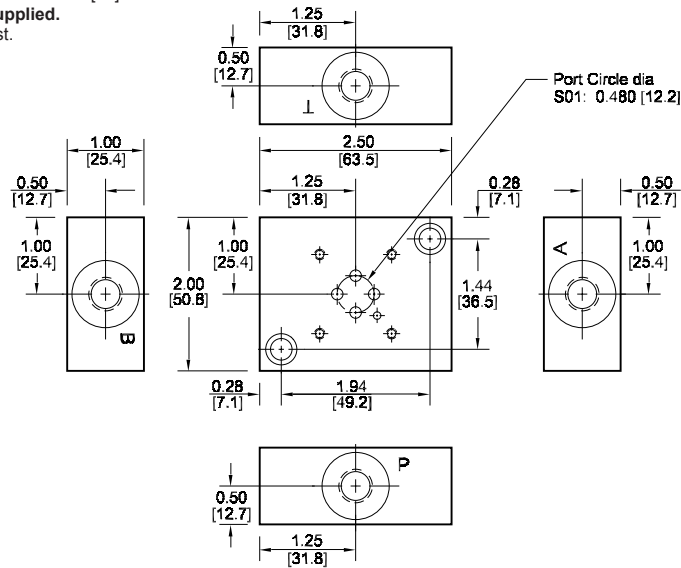
- 1) These patterns are identified for reference purposes. Standard subplates are not available. See pages 2-3 for information requesting a custom subplate
- 2) This valve does not have a locating pin, therefore the pattern does not require a locating pin hole.
- 3) These valves have an optional pilot port conforming to ISO standards or the majority of other manufacturers valves.
- 4) These valves have an optional pilot port which does not conform to NFPA / ISO standards.
- 5) Pattern conforms to ISO 4401-03-03-0-94 without X port; Y port is optional. Ports are 7.5mm dia for full flow. Mounting threads are M5.
- 6) Pattern conforms to ISO 4401-05-05-0-94 without X port; Y port is optional. Mounting threads are M6.
- 7) Pattern conforms to ISO 4401-05-05-0-94 without X port; Y port is optional. Ports are 11.5mm dia for full flow. Mounting threads are M6.
- 8) Pattern conforms to ISO 4401-07-06-0-94 except ports are 20mm dia for full flow. Mounting threads are M10 and M6.
- 9) Pattern conforms to ISO 4401-08-07-0-94. Mounting threads are M12. If using the optional 7/16-14 bolts use the S79 valve pattern.
- 10) Pattern conforms to ISO 4401-08-07-0-94. Mounting threads are M12.
- 11) Pattern conforms to ISO 4401-08-07-0-94 except ports are 28mm dia for full flow. Mounting threads are M12.
- 12) Pattern conforms to ISO 4401-08-07-0-94 except ports are 32mm dia for full flow. Mounting threads are M12.
- 13) Pattern conforms to ISO 4401-10-08-0-94. Mounting threads are M20.
- 14) Pattern conforms to ISO 4401-10-08-0-94 except ports are 50mm dia for full flow. Mounting threads are M20.
- 15) Manufacturer calls for 3/8-24; 1/4-28 valve mounting threads. Daman's D07 standard products have 3/8-16; 1/4-20 threads.
- 16) Manufacturer calls for 1/4-28 valve mounting threads. Daman's D05 standard products have 1/4-20 threads.

Daman S01 Servo Subplate

0.480 Port Circle

Side Ported Subplate

Valve mtg: UNC #6-32 x 0.50 DP or
Metric M4-0.7mm ISO 6H x [12] DP
Subplate hardware kit is supplied.
See page 140 for itemized list.



Specifications, descriptions, and dimensional data are subject to correction or change without notice or incurring obligation. Download latest catalog page revisions at www.daman.com.

Ordering Information

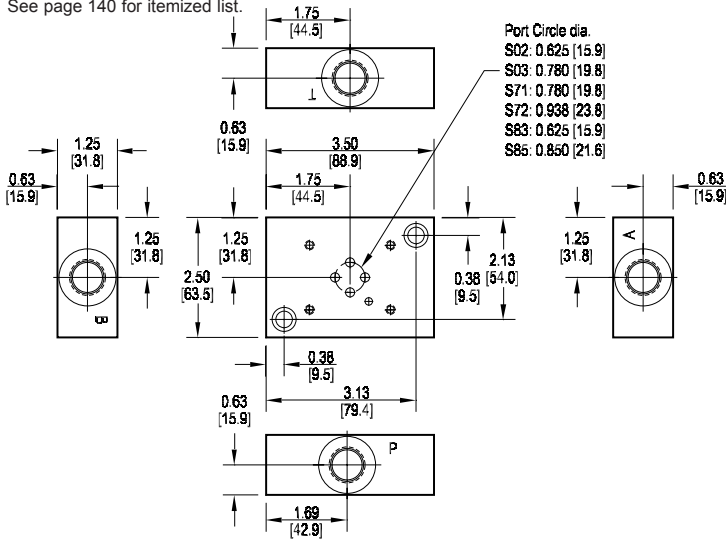
Material	Servo Valve Pattern	Product Type	Port Location	Port Threads																										
<table border="1"> <thead> <tr> <th colspan="2">Material</th> </tr> </thead> <tbody> <tr> <td>A</td> <td>Aluminum - 6061-T6 3000[†] psi • 20.7 MPa</td> </tr> <tr> <td>D</td> <td>Ductile Iron - D4512 5000[†] psi • 34.5 MPa</td> </tr> <tr> <td colspan="2">[†] Working pressure should be considered in accordance with ISO 4413 to determine appropriate material type.</td> </tr> </tbody> </table>	Material		A	Aluminum - 6061-T6 3000 [†] psi • 20.7 MPa	D	Ductile Iron - D4512 5000 [†] psi • 34.5 MPa	[†] Working pressure should be considered in accordance with ISO 4413 to determine appropriate material type.		<table border="1"> <thead> <tr> <th colspan="2">Servo Pattern</th> </tr> </thead> <tbody> <tr> <td>S01</td> <td>ISO 10372-01-01 Daman std. S01 See page 125 and Tech Info</td> </tr> </tbody> </table>	Servo Pattern		S01	ISO 10372-01-01 Daman std. S01 See page 125 and Tech Info	<table border="1"> <thead> <tr> <th colspan="2">Product Type</th> </tr> </thead> <tbody> <tr> <td>SP</td> <td>Subplate</td> </tr> </tbody> </table>	Product Type		SP	Subplate	<table border="1"> <thead> <tr> <th colspan="2">Port Location</th> </tr> </thead> <tbody> <tr> <td>S</td> <td>Side ported</td> </tr> </tbody> </table>	Port Location		S	Side ported	<table border="1"> <thead> <tr> <th colspan="2">Port Threads</th> </tr> </thead> <tbody> <tr> <td>4S</td> <td>-4 SAE ISO 11926; SAE 1926</td> </tr> <tr> <td>4M</td> <td>M10 x 1.0 ISO 6149</td> </tr> </tbody> </table>	Port Threads		4S	-4 SAE ISO 11926; SAE 1926	4M	M10 x 1.0 ISO 6149
Material																														
A	Aluminum - 6061-T6 3000 [†] psi • 20.7 MPa																													
D	Ductile Iron - D4512 5000 [†] psi • 34.5 MPa																													
[†] Working pressure should be considered in accordance with ISO 4413 to determine appropriate material type.																														
Servo Pattern																														
S01	ISO 10372-01-01 Daman std. S01 See page 125 and Tech Info																													
Product Type																														
SP	Subplate																													
Port Location																														
S	Side ported																													
Port Threads																														
4S	-4 SAE ISO 11926; SAE 1926																													
4M	M10 x 1.0 ISO 6149																													

Daman S02, S03, S71, S72, S83, S85 Servo Subplate; S02, S71 Pilot Port Tapping Plate

0.625, 0.780, 0.850, 0.938 Port Circle

Side Ported Subplate

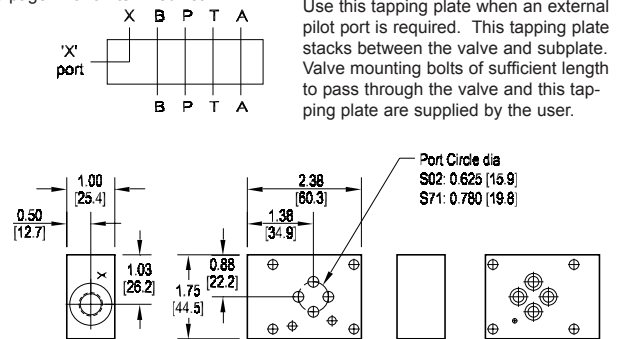
Valve mtg **S02, S71**: UNF #10-32 x 0.63 DP or Metric M5-0.8mm ISO 6H x [16] DP
 Valve mtg **S03**: UNF 0.25-28 x 0.75 DP or Metric M6-1.0mm ISO 6H x [19] DP
 Valve mtg **S72, S83, S85**: UNC 0.25-20 x 0.75 DP or Metric M6-1.0mm ISO 6H x [19] DP
Subplate hardware kit is supplied.
 See page 140 for itemized list.



Pilot Port Tapping Plate (S02, S71 Patterns only)

Subplate interface seal kit is supplied.

See page 140 for itemized list.



Specifications, descriptions, and dimensional data are subject to correction or change without notice or incurring obligation. Download latest catalog page revisions at www.daman.com.

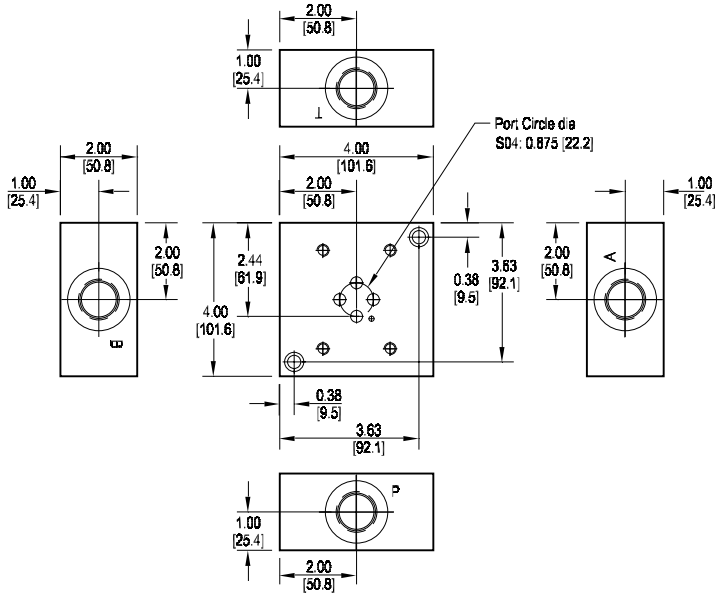
Ordering Information

Material	Servo Valve Pattern	Product Type	Port Location / Circuit	Port Threads																																																		
<table border="1"> <tr><th colspan="2">Material</th></tr> <tr><td>A</td><td>Aluminum - 6061-T6 3000† psi • 20.7 MPa</td></tr> <tr><td>D</td><td>Ductile Iron - D4512 5000† psi • 34.5 MPa</td></tr> <tr><td colspan="2">† Working pressure should be considered in accordance with ISO 4413 to determine appropriate material type.</td></tr> </table>	Material		A	Aluminum - 6061-T6 3000† psi • 20.7 MPa	D	Ductile Iron - D4512 5000† psi • 34.5 MPa	† Working pressure should be considered in accordance with ISO 4413 to determine appropriate material type.		<table border="1"> <tr><th colspan="2">Servo Pattern</th></tr> <tr><td colspan="2">See page 125 and Tech Info</td></tr> <tr><td>S02</td><td>ISO 10372-02-02 Daman std. S02</td></tr> <tr><td>S03</td><td>ISO 10372-03-03 Daman std. S03</td></tr> <tr><td>S71</td><td>Daman std. S71</td></tr> <tr><td>S72</td><td>Daman std. S72</td></tr> <tr><td>S83</td><td>Daman std. S83</td></tr> <tr><td>S85</td><td>Daman std. S85</td></tr> </table>	Servo Pattern		See page 125 and Tech Info		S02	ISO 10372-02-02 Daman std. S02	S03	ISO 10372-03-03 Daman std. S03	S71	Daman std. S71	S72	Daman std. S72	S83	Daman std. S83	S85	Daman std. S85	<table border="1"> <tr><th colspan="2">Product Type</th></tr> <tr><td>SP</td><td>Subplate</td></tr> <tr><td>TP</td><td>Tapping Plate S02 or S71 only</td></tr> </table>	Product Type		SP	Subplate	TP	Tapping Plate S02 or S71 only	<table border="1"> <tr><th colspan="2">Port Loc. / Circuit</th></tr> <tr><td>S</td><td>Side ported (Subplate only)</td></tr> <tr><td>X</td><td>X Port (Tapping Plate only)</td></tr> </table>	Port Loc. / Circuit		S	Side ported (Subplate only)	X	X Port (Tapping Plate only)	<table border="1"> <tr><th colspan="2">Port Threads</th></tr> <tr><td colspan="2">Subplate Port Sizes Only</td></tr> <tr><td>8S</td><td>-8 SAE ISO 11926; SAE 1926</td></tr> <tr><td>8M</td><td>M18 x 1.5 ISO 6149</td></tr> <tr><td colspan="2">Tapping Plate Port Sizes Only</td></tr> <tr><td>4S</td><td>-4 SAE ISO 11926; SAE 1926</td></tr> <tr><td>4M</td><td>M10 x 1.0 ISO 6149</td></tr> </table>	Port Threads		Subplate Port Sizes Only		8S	-8 SAE ISO 11926; SAE 1926	8M	M18 x 1.5 ISO 6149	Tapping Plate Port Sizes Only		4S	-4 SAE ISO 11926; SAE 1926	4M	M10 x 1.0 ISO 6149
Material																																																						
A	Aluminum - 6061-T6 3000† psi • 20.7 MPa																																																					
D	Ductile Iron - D4512 5000† psi • 34.5 MPa																																																					
† Working pressure should be considered in accordance with ISO 4413 to determine appropriate material type.																																																						
Servo Pattern																																																						
See page 125 and Tech Info																																																						
S02	ISO 10372-02-02 Daman std. S02																																																					
S03	ISO 10372-03-03 Daman std. S03																																																					
S71	Daman std. S71																																																					
S72	Daman std. S72																																																					
S83	Daman std. S83																																																					
S85	Daman std. S85																																																					
Product Type																																																						
SP	Subplate																																																					
TP	Tapping Plate S02 or S71 only																																																					
Port Loc. / Circuit																																																						
S	Side ported (Subplate only)																																																					
X	X Port (Tapping Plate only)																																																					
Port Threads																																																						
Subplate Port Sizes Only																																																						
8S	-8 SAE ISO 11926; SAE 1926																																																					
8M	M18 x 1.5 ISO 6149																																																					
Tapping Plate Port Sizes Only																																																						
4S	-4 SAE ISO 11926; SAE 1926																																																					
4M	M10 x 1.0 ISO 6149																																																					

Daman S04 Servo Subplate, Pilot Port Tapping Plate 0.875 Port Circle

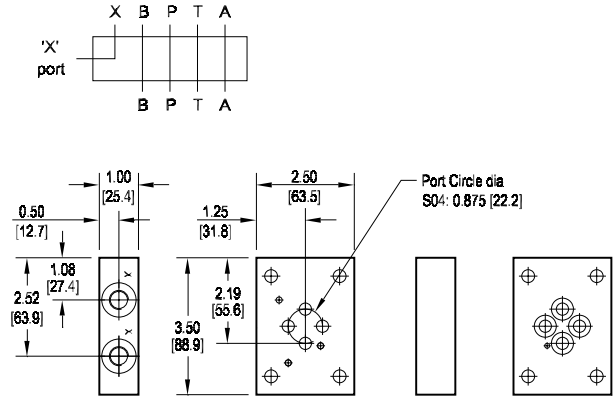
Side Ported Subplate

Valve mtg: UNC 0.31-18 UNC x 0.88 DP or Metric M8-1.25mm ISO 6H x [22.2] DP
Subplate hardware kit is supplied.
 See page 140 for itemized list.



Pilot Port Tapping Plate

Subplate interface seal kit is supplied.*
 See page 140 for itemized list.
 * Plug not included on metric ported parts.



Use this tapping plate when an external pilot port is required. Two ports are provided to facilitate the various valves available. This tapping plate stacks between the valve and subplate. Valve mounting bolts of sufficient length to pass through the valve and this tapping plate are supplied by the user.

Specifications, descriptions, and dimensional data are subject to correction or change without notice or incurring obligation. Download latest catalog page revisions at www.daman.com.

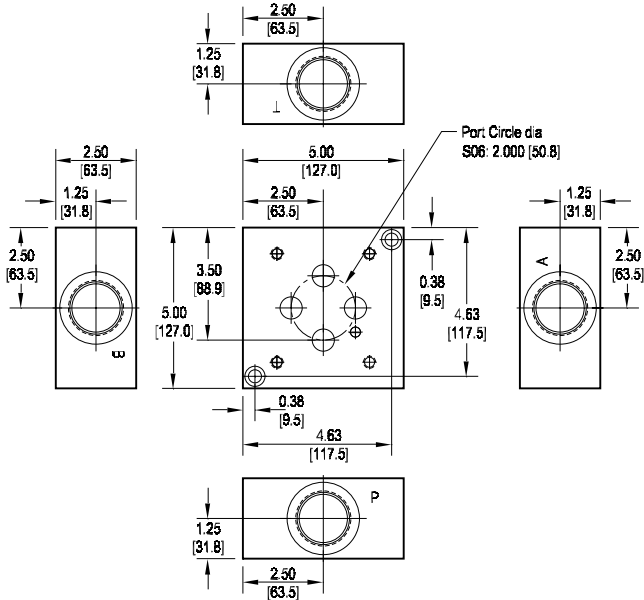
Ordering Information

Material	Servo Valve Pattern	Product Type	Port Location / Circuit	Port Threads																																								
<table border="1"> <thead> <tr> <th colspan="2">Material</th> </tr> </thead> <tbody> <tr> <td>A</td> <td>Aluminum - 6061-T6 3000[†] psi • 20.7 MPa</td> </tr> <tr> <td>D</td> <td>Ductile Iron - D4512 5000[†] psi • 34.5 MPa</td> </tr> <tr> <td colspan="2">[†] Working pressure should be considered in accordance with ISO 4413 to determine appropriate material type.</td> </tr> </tbody> </table>	Material		A	Aluminum - 6061-T6 3000 [†] psi • 20.7 MPa	D	Ductile Iron - D4512 5000 [†] psi • 34.5 MPa	[†] Working pressure should be considered in accordance with ISO 4413 to determine appropriate material type.		<table border="1"> <thead> <tr> <th colspan="2">Servo Pattern</th> </tr> </thead> <tbody> <tr> <td colspan="2">See page 125 and Tech Info</td> </tr> <tr> <td>S04</td> <td>ISO 10372-04-04 Daman std. S04</td> </tr> </tbody> </table>	Servo Pattern		See page 125 and Tech Info		S04	ISO 10372-04-04 Daman std. S04	<table border="1"> <thead> <tr> <th colspan="2">Product Type</th> </tr> </thead> <tbody> <tr> <td>SP</td> <td>Subplate</td> </tr> <tr> <td>TP</td> <td>Tapping Plate</td> </tr> </tbody> </table>	Product Type		SP	Subplate	TP	Tapping Plate	<table border="1"> <thead> <tr> <th colspan="2">Port Loc. / Circuit</th> </tr> </thead> <tbody> <tr> <td>S</td> <td>Side ported (Subplate only)</td> </tr> <tr> <td>X</td> <td>X Port (Tapping Plate only)</td> </tr> </tbody> </table>	Port Loc. / Circuit		S	Side ported (Subplate only)	X	X Port (Tapping Plate only)	<table border="1"> <thead> <tr> <th colspan="2">Port Threads</th> </tr> </thead> <tbody> <tr> <td colspan="2">Subplate Port Sizes Only</td> </tr> <tr> <td>12S</td> <td>-12 SAE ISO 11926; SAE 1926</td> </tr> <tr> <td>12M</td> <td>M27 x 2.0 ISO 6149</td> </tr> <tr> <td colspan="2">Tapping Plate Port Sizes Only</td> </tr> <tr> <td>4S</td> <td>-4 SAE ISO 11926; SAE 1926</td> </tr> <tr> <td>4M</td> <td>M10 x 1.0 ISO 6149</td> </tr> </tbody> </table>	Port Threads		Subplate Port Sizes Only		12S	-12 SAE ISO 11926; SAE 1926	12M	M27 x 2.0 ISO 6149	Tapping Plate Port Sizes Only		4S	-4 SAE ISO 11926; SAE 1926	4M	M10 x 1.0 ISO 6149
Material																																												
A	Aluminum - 6061-T6 3000 [†] psi • 20.7 MPa																																											
D	Ductile Iron - D4512 5000 [†] psi • 34.5 MPa																																											
[†] Working pressure should be considered in accordance with ISO 4413 to determine appropriate material type.																																												
Servo Pattern																																												
See page 125 and Tech Info																																												
S04	ISO 10372-04-04 Daman std. S04																																											
Product Type																																												
SP	Subplate																																											
TP	Tapping Plate																																											
Port Loc. / Circuit																																												
S	Side ported (Subplate only)																																											
X	X Port (Tapping Plate only)																																											
Port Threads																																												
Subplate Port Sizes Only																																												
12S	-12 SAE ISO 11926; SAE 1926																																											
12M	M27 x 2.0 ISO 6149																																											
Tapping Plate Port Sizes Only																																												
4S	-4 SAE ISO 11926; SAE 1926																																											
4M	M10 x 1.0 ISO 6149																																											

Daman S06 Servo Subplate, Pilot Port Tapping Plate 2.000 Port Circle

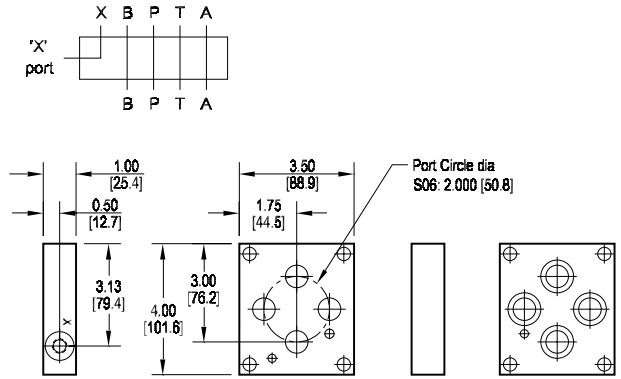
Side Ported Subplate

Valve mtg: UNC 0.38-16 UNC x 1.00 DP or
Metric M10-1.5mm ISO 6H x [25.4] DP
Subplate hardware kit is supplied.
See page 140 for itemized list.



Pilot Port Tapping Plate

Subplate interface seal kit is supplied.*
See page 140 for itemized list.
* Plug not included on metric ported parts.



Use this tapping plate when an external pilot port is required. This tapping plate stacks between the valve and subplate. Valve mounting bolts of sufficient length to pass through the valve and this tapping plate are supplied by the user.

Specifications, descriptions, and dimensional data are subject to correction or change without notice or incurring obligation. Download latest catalog page revisions at www.daman.com.

Ordering Information

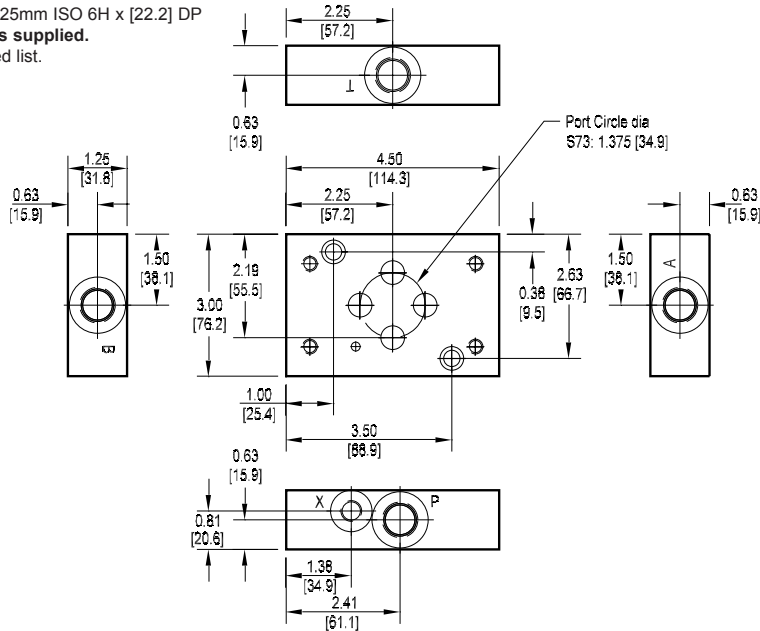
Material	Servo Valve Pattern	Product Type	Port Location / Circuit	Port Threads																																								
<table border="1"> <thead> <tr> <th colspan="2">Material</th> </tr> </thead> <tbody> <tr> <td>A</td> <td>Aluminum - 6061-T6 30000† psi • 20.7 MPa</td> </tr> <tr> <td>D</td> <td>Ductile Iron - D4512 50000† psi • 34.5 MPa</td> </tr> <tr> <td colspan="2">† Working pressure should be considered in accordance with ISO 4413 to determine appropriate material type.</td> </tr> </tbody> </table>	Material		A	Aluminum - 6061-T6 30000† psi • 20.7 MPa	D	Ductile Iron - D4512 50000† psi • 34.5 MPa	† Working pressure should be considered in accordance with ISO 4413 to determine appropriate material type.		<table border="1"> <thead> <tr> <th colspan="2">Servo Pattern</th> </tr> <tr> <td colspan="2">See page 125 and Tech Info</td> </tr> <tr> <td>S06</td> <td>ISO 10372-06-05 Daman std. S06</td> </tr> </thead> </table>	Servo Pattern		See page 125 and Tech Info		S06	ISO 10372-06-05 Daman std. S06	<table border="1"> <thead> <tr> <th colspan="2">Product Type</th> </tr> </thead> <tbody> <tr> <td>SP</td> <td>Subplate</td> </tr> <tr> <td>TP</td> <td>Tapping Plate</td> </tr> </tbody> </table>	Product Type		SP	Subplate	TP	Tapping Plate	<table border="1"> <thead> <tr> <th colspan="2">Port Loc. / Circuit</th> </tr> </thead> <tbody> <tr> <td>S</td> <td>Side ported (Subplate only)</td> </tr> <tr> <td>X</td> <td>X Port (Tapping Plate only)</td> </tr> </tbody> </table>	Port Loc. / Circuit		S	Side ported (Subplate only)	X	X Port (Tapping Plate only)	<table border="1"> <thead> <tr> <th colspan="2">Port Threads</th> </tr> <tr> <th colspan="2">Subplate Port Sizes Only</th> </tr> </thead> <tbody> <tr> <td>20S</td> <td>-20 SAE ISO 11926; SAE 1926</td> </tr> <tr> <td>20M</td> <td>M42 x 2.0 ISO 6149</td> </tr> <tr> <th colspan="2">Tapping Plate Port Sizes Only</th> </tr> <tr> <td>4S</td> <td>-4 SAE ISO 11926; SAE 1926</td> </tr> <tr> <td>4M</td> <td>M10 x 1.0 ISO 6149</td> </tr> </tbody> </table>	Port Threads		Subplate Port Sizes Only		20S	-20 SAE ISO 11926; SAE 1926	20M	M42 x 2.0 ISO 6149	Tapping Plate Port Sizes Only		4S	-4 SAE ISO 11926; SAE 1926	4M	M10 x 1.0 ISO 6149
Material																																												
A	Aluminum - 6061-T6 30000† psi • 20.7 MPa																																											
D	Ductile Iron - D4512 50000† psi • 34.5 MPa																																											
† Working pressure should be considered in accordance with ISO 4413 to determine appropriate material type.																																												
Servo Pattern																																												
See page 125 and Tech Info																																												
S06	ISO 10372-06-05 Daman std. S06																																											
Product Type																																												
SP	Subplate																																											
TP	Tapping Plate																																											
Port Loc. / Circuit																																												
S	Side ported (Subplate only)																																											
X	X Port (Tapping Plate only)																																											
Port Threads																																												
Subplate Port Sizes Only																																												
20S	-20 SAE ISO 11926; SAE 1926																																											
20M	M42 x 2.0 ISO 6149																																											
Tapping Plate Port Sizes Only																																												
4S	-4 SAE ISO 11926; SAE 1926																																											
4M	M10 x 1.0 ISO 6149																																											

Daman S73 Servo Subplate

1.375 Port Circle

Side Ported Subplate

Valve mtg: UNC 0.31-18 x 0.88 DP or
Metric M8-1.25mm ISO 6H x [22.2] DP
Subplate hardware kit is supplied.
See page 140 for itemized list.



Specifications, descriptions, and dimensional data are subject to correction or change without notice or incurring obligation. Download latest catalog page revisions at www.daman.com.

Ordering Information

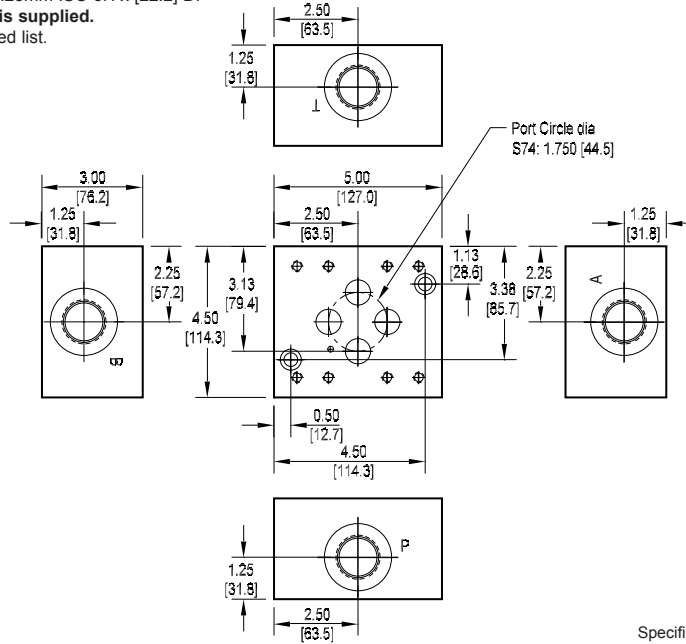
Material	Servo Valve Pattern	Product Type	Port Location	Port Threads																										
<table border="1"> <thead> <tr> <th colspan="2">Material</th> </tr> </thead> <tbody> <tr> <td>A</td> <td>Aluminum - 6061-T6 3000[†] psi • 20.7 MPa</td> </tr> <tr> <td>D</td> <td>Ductile Iron - D4512 5000[†] psi • 34.5 MPa</td> </tr> <tr> <td colspan="2">[†] Working pressure should be considered in accordance with ISO 4413 to determine appropriate material type.</td> </tr> </tbody> </table>	Material		A	Aluminum - 6061-T6 3000 [†] psi • 20.7 MPa	D	Ductile Iron - D4512 5000 [†] psi • 34.5 MPa	[†] Working pressure should be considered in accordance with ISO 4413 to determine appropriate material type.		<table border="1"> <thead> <tr> <th colspan="2">Servo Pattern</th> </tr> </thead> <tbody> <tr> <td>S73</td> <td>Daman S73 See page 125 and Tech Info</td> </tr> </tbody> </table>	Servo Pattern		S73	Daman S73 See page 125 and Tech Info	<table border="1"> <thead> <tr> <th colspan="2">Product Type</th> </tr> </thead> <tbody> <tr> <td>SP</td> <td>Subplate</td> </tr> </tbody> </table>	Product Type		SP	Subplate	<table border="1"> <thead> <tr> <th colspan="2">Port Location</th> </tr> </thead> <tbody> <tr> <td>S</td> <td>Side ported</td> </tr> </tbody> </table>	Port Location		S	Side ported	<table border="1"> <thead> <tr> <th colspan="2">Port Threads</th> </tr> </thead> <tbody> <tr> <td>8S</td> <td>-8 SAE ISO 11926; SAE 1926 (X port is -4 SAE)</td> </tr> <tr> <td>8M</td> <td>M18 x 1.5 ISO 6149 (X port is M10 x 1.0)</td> </tr> </tbody> </table>	Port Threads		8S	-8 SAE ISO 11926; SAE 1926 (X port is -4 SAE)	8M	M18 x 1.5 ISO 6149 (X port is M10 x 1.0)
Material																														
A	Aluminum - 6061-T6 3000 [†] psi • 20.7 MPa																													
D	Ductile Iron - D4512 5000 [†] psi • 34.5 MPa																													
[†] Working pressure should be considered in accordance with ISO 4413 to determine appropriate material type.																														
Servo Pattern																														
S73	Daman S73 See page 125 and Tech Info																													
Product Type																														
SP	Subplate																													
Port Location																														
S	Side ported																													
Port Threads																														
8S	-8 SAE ISO 11926; SAE 1926 (X port is -4 SAE)																													
8M	M18 x 1.5 ISO 6149 (X port is M10 x 1.0)																													

Daman S74 Servo Subplate

1.750 Port Circle

Side Ported Subplate

Valve mtg: UNF 0.31-24 x 0.88 DP or
Metric M8-1.25mm ISO 6H x [22.2] DP
Subplate hardware kit is supplied.
See page 140 for itemized list.



Specifications, descriptions, and dimensional data are subject to correction or change without notice or incurring obligation. Download latest catalog page revisions at www.daman.com.

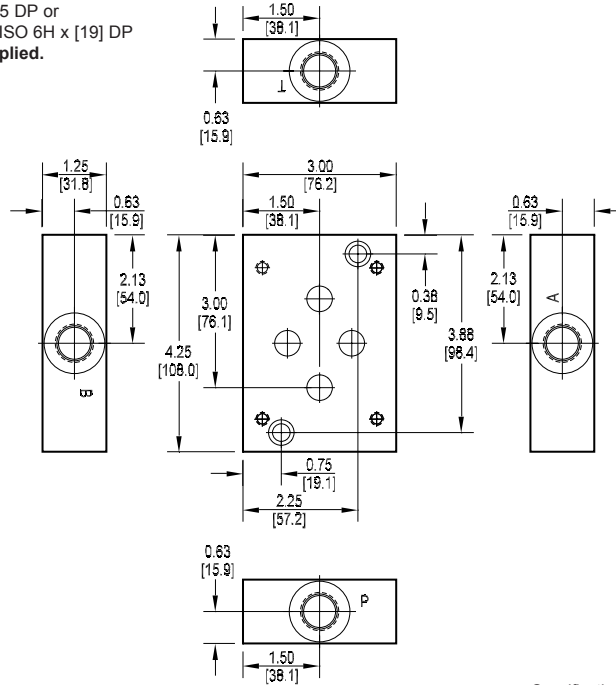
Ordering Information

Material	Servo Valve Pattern	Product Type	Port Location	Port Threads																										
<table border="1"> <thead> <tr> <th colspan="2">Material</th> </tr> </thead> <tbody> <tr> <td>A</td> <td>Aluminum - 6061-T6 3000† psi • 20.7 MPa</td> </tr> <tr> <td>D</td> <td>Ductile Iron - D4512 5000† psi • 34.5 MPa</td> </tr> <tr> <td colspan="2">† Working pressure should be considered in accordance with ISO 4413 to determine appropriate material type.</td> </tr> </tbody> </table>	Material		A	Aluminum - 6061-T6 3000† psi • 20.7 MPa	D	Ductile Iron - D4512 5000† psi • 34.5 MPa	† Working pressure should be considered in accordance with ISO 4413 to determine appropriate material type.		<table border="1"> <thead> <tr> <th colspan="2">Servo Pattern</th> </tr> </thead> <tbody> <tr> <td>S74</td> <td>Daman S74 See page 125 and Tech Info</td> </tr> </tbody> </table>	Servo Pattern		S74	Daman S74 See page 125 and Tech Info	<table border="1"> <thead> <tr> <th colspan="2">Product Type</th> </tr> </thead> <tbody> <tr> <td>SP</td> <td>Subplate</td> </tr> </tbody> </table>	Product Type		SP	Subplate	<table border="1"> <thead> <tr> <th colspan="2">Port Location</th> </tr> </thead> <tbody> <tr> <td>S</td> <td>Side ported</td> </tr> </tbody> </table>	Port Location		S	Side ported	<table border="1"> <thead> <tr> <th colspan="2">Port Threads</th> </tr> </thead> <tbody> <tr> <td>16S</td> <td>-16 SAE ISO 11926; SAE 1926</td> </tr> <tr> <td>16M</td> <td>M33 x 2.0 ISO 6149</td> </tr> </tbody> </table>	Port Threads		16S	-16 SAE ISO 11926; SAE 1926	16M	M33 x 2.0 ISO 6149
Material																														
A	Aluminum - 6061-T6 3000† psi • 20.7 MPa																													
D	Ductile Iron - D4512 5000† psi • 34.5 MPa																													
† Working pressure should be considered in accordance with ISO 4413 to determine appropriate material type.																														
Servo Pattern																														
S74	Daman S74 See page 125 and Tech Info																													
Product Type																														
SP	Subplate																													
Port Location																														
S	Side ported																													
Port Threads																														
16S	-16 SAE ISO 11926; SAE 1926																													
16M	M33 x 2.0 ISO 6149																													

Daman S76 Servo Subplate

Side Ported Subplate

Valve mtg: UNC 0.25-20 x 0.75 DP or
Metric M6-1.0mm ISO 6H x [19] DP
Subplate hardware kit is supplied.
See page 140 for itemized list.



Specifications, descriptions, and dimensional data are subject to correction or change without notice or incurring obligation. Download latest catalog page revisions at www.daman.com.

Ordering Information

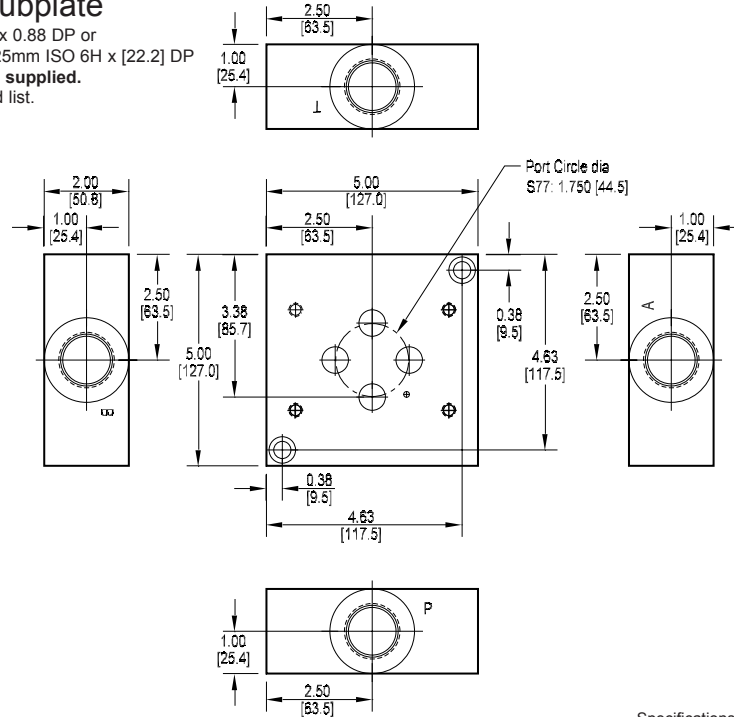
Material	Servo Valve Pattern	Product Type	Port Location	Port Threads																										
<table border="1"> <thead> <tr> <th colspan="2">Material</th> </tr> </thead> <tbody> <tr> <td>A</td> <td>Aluminum - 6061-T6 3000[†] psi • 20.7 MPa</td> </tr> <tr> <td>D</td> <td>Ductile Iron - D4512 5000[†] psi • 34.5 MPa</td> </tr> <tr> <td colspan="2"> [†] Working pressure should be considered in accordance with ISO 4413 to determine appropriate material type. </td> </tr> </tbody> </table>	Material		A	Aluminum - 6061-T6 3000 [†] psi • 20.7 MPa	D	Ductile Iron - D4512 5000 [†] psi • 34.5 MPa	[†] Working pressure should be considered in accordance with ISO 4413 to determine appropriate material type.		<table border="1"> <thead> <tr> <th colspan="2">Servo Pattern</th> </tr> </thead> <tbody> <tr> <td>S76</td> <td>Daman std. S76 See page 126 and Tech Info</td> </tr> </tbody> </table>	Servo Pattern		S76	Daman std. S76 See page 126 and Tech Info	<table border="1"> <thead> <tr> <th colspan="2">Product Type</th> </tr> </thead> <tbody> <tr> <td>SP</td> <td>Subplate</td> </tr> </tbody> </table>	Product Type		SP	Subplate	<table border="1"> <thead> <tr> <th colspan="2">Port Location</th> </tr> </thead> <tbody> <tr> <td>S</td> <td>Side ported</td> </tr> </tbody> </table>	Port Location		S	Side ported	<table border="1"> <thead> <tr> <th colspan="2">Port Threads</th> </tr> </thead> <tbody> <tr> <td>8S</td> <td>-8 SAE ISO 11926; SAE 1926</td> </tr> <tr> <td>8M</td> <td>M18 x 1.5 ISO 6149</td> </tr> </tbody> </table>	Port Threads		8S	-8 SAE ISO 11926; SAE 1926	8M	M18 x 1.5 ISO 6149
Material																														
A	Aluminum - 6061-T6 3000 [†] psi • 20.7 MPa																													
D	Ductile Iron - D4512 5000 [†] psi • 34.5 MPa																													
[†] Working pressure should be considered in accordance with ISO 4413 to determine appropriate material type.																														
Servo Pattern																														
S76	Daman std. S76 See page 126 and Tech Info																													
Product Type																														
SP	Subplate																													
Port Location																														
S	Side ported																													
Port Threads																														
8S	-8 SAE ISO 11926; SAE 1926																													
8M	M18 x 1.5 ISO 6149																													

Daman S77 Servo Subplate

1.750 Port Circle

Side Ported Subplate

Valve mtg: UNC 0.31-18 x 0.88 DP or
Metric M8-1.25mm ISO 6H x [22.2] DP
Subplate hardware kit is supplied.
See page 140 for itemized list.



Specifications, descriptions, and dimensional data are subject to correction or change without notice or incurring obligation. Download latest catalog page revisions at www.daman.com.

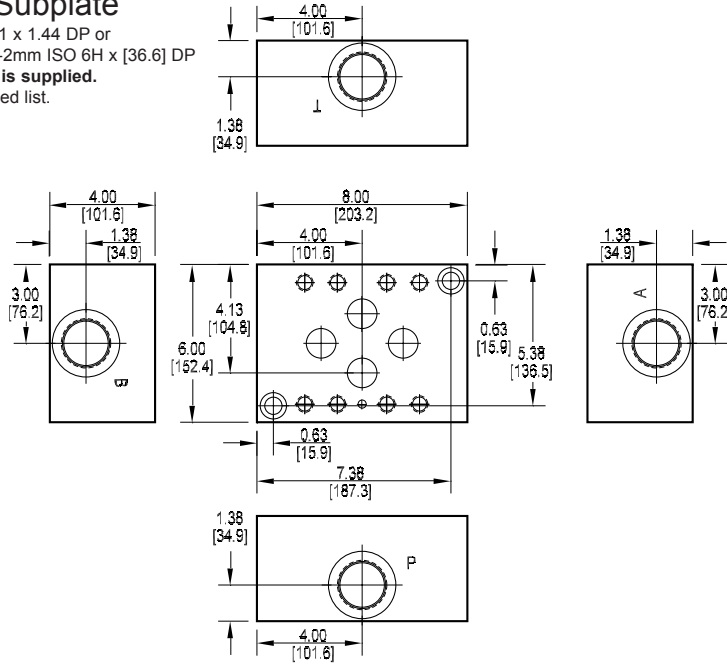
Ordering Information

Material	Servo Valve Pattern	Product Type	Port Location	Port Threads																										
<table border="1"> <thead> <tr> <th colspan="2">Material</th> </tr> </thead> <tbody> <tr> <td>A</td> <td>Aluminum - 6061-T6 3000† psi • 20.7 MPa</td> </tr> <tr> <td>D</td> <td>Ductile Iron - D4512 5000† psi • 34.5 MPa</td> </tr> <tr> <td colspan="2">† Working pressure should be considered in accordance with ISO 4413 to determine appropriate material type.</td> </tr> </tbody> </table>	Material		A	Aluminum - 6061-T6 3000† psi • 20.7 MPa	D	Ductile Iron - D4512 5000† psi • 34.5 MPa	† Working pressure should be considered in accordance with ISO 4413 to determine appropriate material type.		<table border="1"> <thead> <tr> <th colspan="2">Servo Pattern</th> </tr> </thead> <tbody> <tr> <td>S77</td> <td>Daman S77 See page 126 and Tech Info</td> </tr> </tbody> </table>	Servo Pattern		S77	Daman S77 See page 126 and Tech Info	<table border="1"> <thead> <tr> <th colspan="2">Product Type</th> </tr> </thead> <tbody> <tr> <td>SP</td> <td>Subplate</td> </tr> </tbody> </table>	Product Type		SP	Subplate	<table border="1"> <thead> <tr> <th colspan="2">Port Location</th> </tr> </thead> <tbody> <tr> <td>S</td> <td>Side ported</td> </tr> </tbody> </table>	Port Location		S	Side ported	<table border="1"> <thead> <tr> <th colspan="2">Port Threads</th> </tr> </thead> <tbody> <tr> <td>16S</td> <td>-16 SAE ISO 11926; SAE 1926</td> </tr> <tr> <td>16M</td> <td>M33 x 2.0 ISO 6149</td> </tr> </tbody> </table>	Port Threads		16S	-16 SAE ISO 11926; SAE 1926	16M	M33 x 2.0 ISO 6149
Material																														
A	Aluminum - 6061-T6 3000† psi • 20.7 MPa																													
D	Ductile Iron - D4512 5000† psi • 34.5 MPa																													
† Working pressure should be considered in accordance with ISO 4413 to determine appropriate material type.																														
Servo Pattern																														
S77	Daman S77 See page 126 and Tech Info																													
Product Type																														
SP	Subplate																													
Port Location																														
S	Side ported																													
Port Threads																														
16S	-16 SAE ISO 11926; SAE 1926																													
16M	M33 x 2.0 ISO 6149																													

Daman S78 Servo Subplate

Side Ported Subplate

Valve mtg: UNC 0.63-11 x 1.44 DP or
Metric M16-2mm ISO 6H x [36.6] DP
Subplate hardware kit is supplied.
See page 140 for itemized list.



Specifications, descriptions, and dimensional data are subject to correction or change without notice or incurring obligation. Download latest catalog page revisions at www.daman.com.

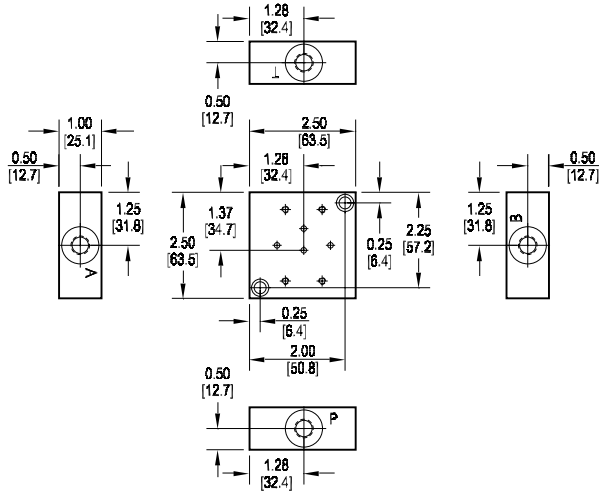
Ordering Information

Material	Servo Valve Pattern	Product Type	Port Location	Port Threads																										
<table border="1"> <thead> <tr> <th colspan="2">Material</th> </tr> </thead> <tbody> <tr> <td>A</td> <td>Aluminum - 6061-T6 3000[†] psi • 20.7 MPa</td> </tr> <tr> <td>D</td> <td>Ductile Iron - D4512 5000[†] psi • 34.5 MPa</td> </tr> <tr> <td colspan="2">[†] Working pressure should be considered in accordance with ISO 4413 to determine appropriate material type.</td> </tr> </tbody> </table>	Material		A	Aluminum - 6061-T6 3000 [†] psi • 20.7 MPa	D	Ductile Iron - D4512 5000 [†] psi • 34.5 MPa	[†] Working pressure should be considered in accordance with ISO 4413 to determine appropriate material type.		<table border="1"> <thead> <tr> <th colspan="2">Servo Pattern</th> </tr> </thead> <tbody> <tr> <td>S78</td> <td>Daman S78 See page 126 and Tech Info</td> </tr> </tbody> </table>	Servo Pattern		S78	Daman S78 See page 126 and Tech Info	<table border="1"> <thead> <tr> <th colspan="2">Product Type</th> </tr> </thead> <tbody> <tr> <td>SP</td> <td>Subplate</td> </tr> </tbody> </table>	Product Type		SP	Subplate	<table border="1"> <thead> <tr> <th colspan="2">Port Location</th> </tr> </thead> <tbody> <tr> <td>S</td> <td>Side ported</td> </tr> </tbody> </table>	Port Location		S	Side ported	<table border="1"> <thead> <tr> <th colspan="2">Port Threads</th> </tr> </thead> <tbody> <tr> <td>24S</td> <td>-24 SAE ISO 11926; SAE 1926</td> </tr> <tr> <td>24M</td> <td>M48 x 2.0 ISO 6149</td> </tr> </tbody> </table>	Port Threads		24S	-24 SAE ISO 11926; SAE 1926	24M	M48 x 2.0 ISO 6149
Material																														
A	Aluminum - 6061-T6 3000 [†] psi • 20.7 MPa																													
D	Ductile Iron - D4512 5000 [†] psi • 34.5 MPa																													
[†] Working pressure should be considered in accordance with ISO 4413 to determine appropriate material type.																														
Servo Pattern																														
S78	Daman S78 See page 126 and Tech Info																													
Product Type																														
SP	Subplate																													
Port Location																														
S	Side ported																													
Port Threads																														
24S	-24 SAE ISO 11926; SAE 1926																													
24M	M48 x 2.0 ISO 6149																													

Daman S82, S87 Servo Subplates

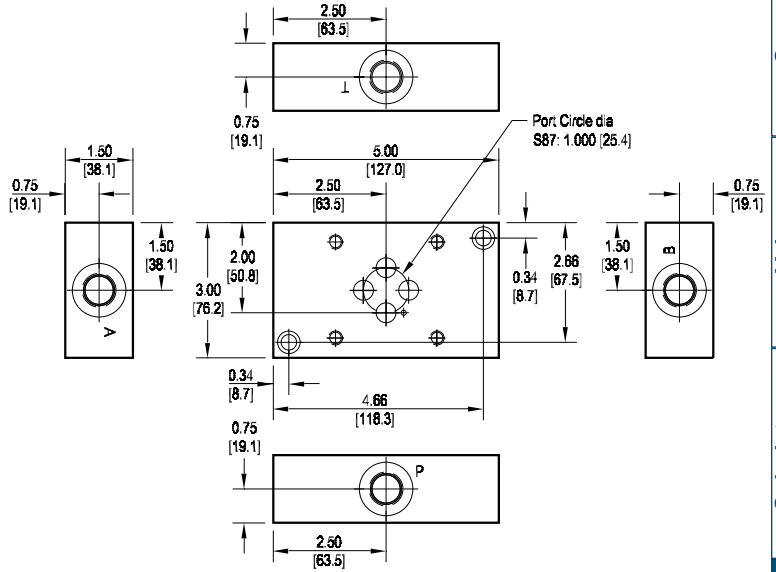
S82 Side Ported Subplate

Valve mtg: Metric M4-0.7mm ISO 6H x 0.50 [12.7] DP
 Subplate hardware kit is supplied.
 See page 140 for itemized list.



S87 Side Ported Subplate

Valve mtg: UNC 0.31-18 x 0.88 DP or
 Metric M8-1.25mm ISO 6H x [22] DP
 Subplate hardware kit is supplied.
 See page 140 for itemized list.



Specifications, descriptions, and dimensional data are subject to correction or change without notice or incurring obligation. Download latest catalog page revisions at www.daman.com.

Ordering Information

Material	Servo Valve Pattern	Product Type	Port Location	Port Threads
----------	---------------------	--------------	---------------	--------------

Material	
A	Aluminum - 6061-T6 3000† psi • 20.7 MPa
D	Ductile Iron - D4512 5000† psi • 34.5 MPa

† Working pressure should be considered in accordance with ISO 4413 to determine appropriate material type.

Product Type	
SP	Subplate

Port Threads	
S82 Subplate only	
4S	-4 SAE ISO 11926; SAE 1926
4M	M10 x 1.0 ISO 6149
S87 Subplate only	
8S	-8 SAE ISO 11926; SAE 1926
8M	M18 x 1.5 ISO 6149

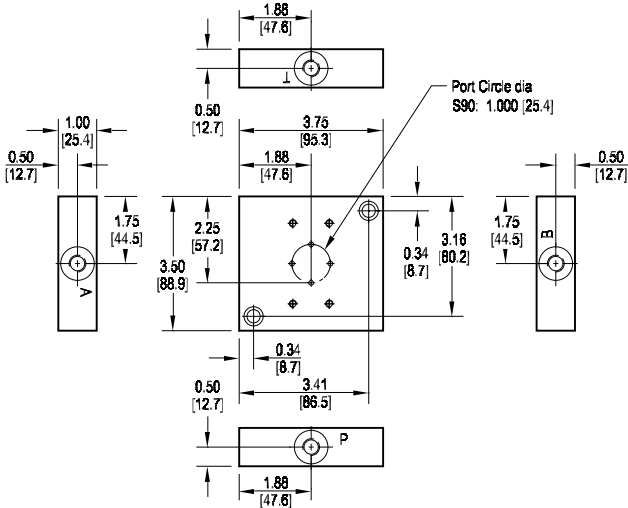
Servo Pattern	
S82	Daman S82 See page 126 and Tech Info
S87	Daman S87 See page 126 and Tech Info

Port Location	
S	Side ported

Daman S90, S92 Servo Subplate

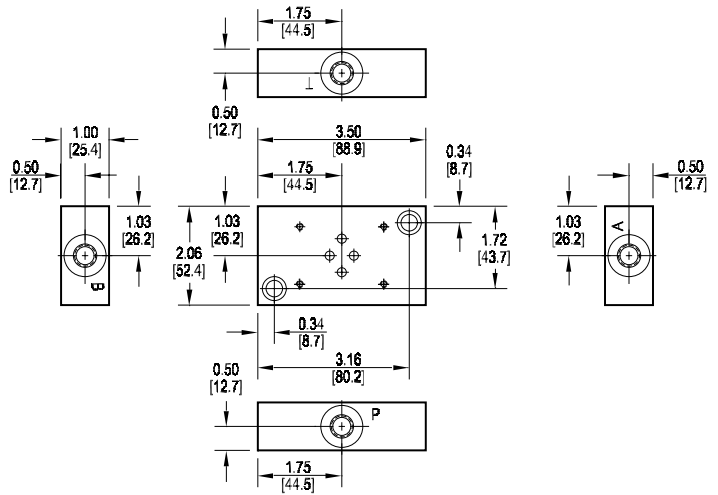
S90 Side Ported Subplate

Valve mtg: UNC #10-24 x 0.63 DP or
Metric M5-0.8mm ISO 6H x [16] DP
Subplate hardware kit is supplied.
See page 140 for itemized list.



S92 Side Ported Subplate

Valve mtg: UNC #8-32 x 0.63 DP or
Metric M4-0.7mm ISO 6H x [16] DP
Subplate hardware kit is supplied.
See page 140 for itemized list.



Specifications, descriptions, and dimensional data are subject to correction or change without notice or incurring obligation. Download latest catalog page revisions at www.daman.com.

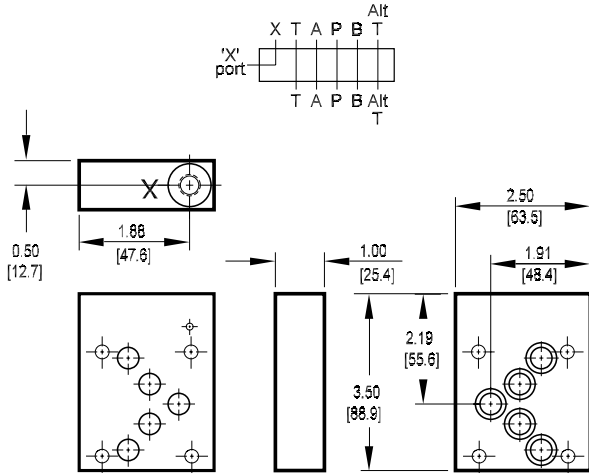
Ordering Information

Material	Servo Valve Pattern	Product Type	Port Location	Port Threads																												
<table border="1"> <thead> <tr> <th colspan="2">Material</th> </tr> </thead> <tbody> <tr> <td>A</td> <td>Aluminum - 6061-T6 3000[†] psi • 20.7 MPa</td> </tr> <tr> <td>D</td> <td>Ductile Iron - D4512 5000[†] psi • 34.5 MPa</td> </tr> <tr> <td colspan="2"> [†] Working pressure should be considered in accordance with ISO 4413 to determine appropriate material type. </td> </tr> </tbody> </table>	Material		A	Aluminum - 6061-T6 3000 [†] psi • 20.7 MPa	D	Ductile Iron - D4512 5000 [†] psi • 34.5 MPa	[†] Working pressure should be considered in accordance with ISO 4413 to determine appropriate material type.		<table border="1"> <thead> <tr> <th colspan="2">Servo Pattern</th> </tr> </thead> <tbody> <tr> <td>S90</td> <td>Daman S90 See page 126 and Tech Info</td> </tr> <tr> <td>S92</td> <td>Daman S92 See page 126 and Tech Info</td> </tr> </tbody> </table>	Servo Pattern		S90	Daman S90 See page 126 and Tech Info	S92	Daman S92 See page 126 and Tech Info	<table border="1"> <thead> <tr> <th colspan="2">Product Type</th> </tr> </thead> <tbody> <tr> <td>SP</td> <td>Subplate</td> </tr> </tbody> </table>	Product Type		SP	Subplate	<table border="1"> <thead> <tr> <th colspan="2">Port Location</th> </tr> </thead> <tbody> <tr> <td>S</td> <td>Side ported</td> </tr> </tbody> </table>	Port Location		S	Side ported	<table border="1"> <thead> <tr> <th colspan="2">Port Threads</th> </tr> </thead> <tbody> <tr> <td>4S</td> <td>-4 SAE ISO 11926; SAE 1926</td> </tr> <tr> <td>4M</td> <td>M10 x 1.0 ISO 6149</td> </tr> </tbody> </table>	Port Threads		4S	-4 SAE ISO 11926; SAE 1926	4M	M10 x 1.0 ISO 6149
Material																																
A	Aluminum - 6061-T6 3000 [†] psi • 20.7 MPa																															
D	Ductile Iron - D4512 5000 [†] psi • 34.5 MPa																															
[†] Working pressure should be considered in accordance with ISO 4413 to determine appropriate material type.																																
Servo Pattern																																
S90	Daman S90 See page 126 and Tech Info																															
S92	Daman S92 See page 126 and Tech Info																															
Product Type																																
SP	Subplate																															
Port Location																																
S	Side ported																															
Port Threads																																
4S	-4 SAE ISO 11926; SAE 1926																															
4M	M10 x 1.0 ISO 6149																															

D05 Servo Valve Tapping Plates

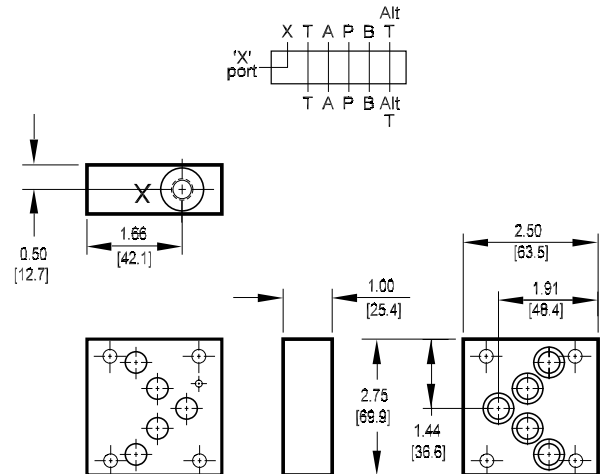
D05-S1, D05-S2, D05-S3 Pilot Port Tapping Plate

Subplate interface seal kit is supplied.
See page 140 for itemized list.



D05-S4 Pilot Port Tapping Plate

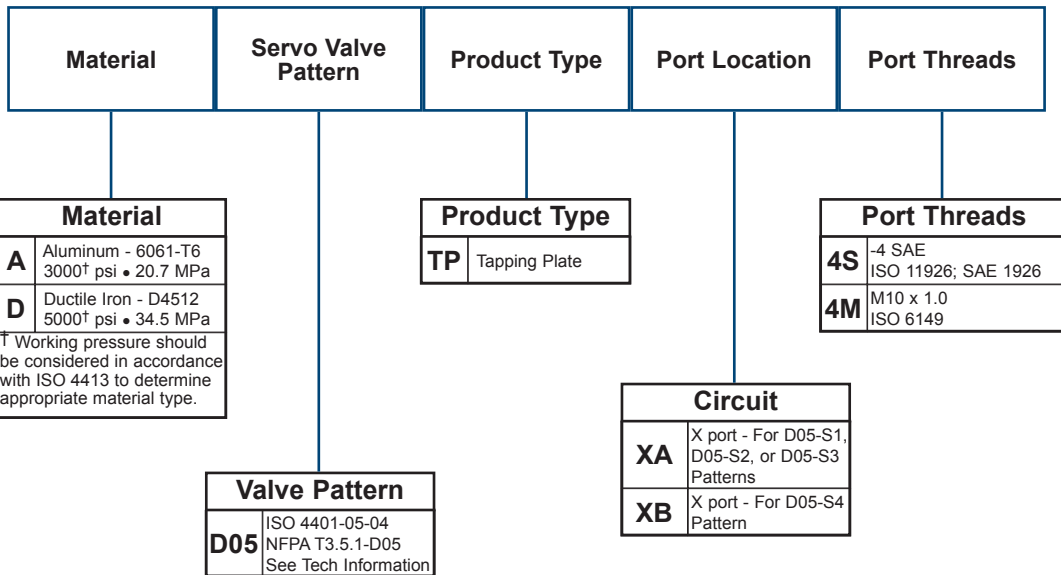
Subplate interface seal kit is supplied.
See page 140 for itemized list.



Note: These tapping plates are designed to be used with standard D05 manifolds or subplates. They provide an external pilot port for the servo valves referenced. If the servo valve uses an internal pilot, these tapping plates are not needed. The servo valve may be mounted directly to our D05 manifold or subplate.

Specifications, descriptions, and dimensional data are subject to correction or change without notice or incurring obligation. Download latest catalog page revisions at www.daman.com.

Ordering Information



Servo Valve Product Mounting Hardware

Part no.	Cat. pg.	Mounting Screws	Viton O-rings	Locating Pins	Plugs
* S01 SP S 4S * S01 SP S 4M	128	(2) UNC 0.25-20 x 0.88 long SHCS (2) ISO 6H M6-1.0 x 22mm SHCS	n/a	n/a	n/a
* S02 SP S 8S * S03 SP S 8S * S71 SP S 8S * S72 SP S 8S * S83 SP S 8S * S85 SP S 8S	129	(2) UNC 0.31-18 x 1.25 long SHCS	n/a	n/a	n/a
* S02 SP S 8M * S03 SP S 8M * S71 SP S 8M * S72 SP S 8M * S83 SP S 8M * S85 SP S 8M	129	(2) ISO 6H M8-1.25 x 35mm SHCS	n/a	n/a	n/a
* S02 TP X 4* * S71 TP X 4*	129	n/a	(4) -010 (4) -011	(1) 0.09 dia x 0.25 long	n/a
* S04 SP S 12S * S04 SP S 12M	130	(2) UNC 0.31-18 x 2.00 long SHCS (2) ISO 6H M8-1.25 x 50mm SHCS	n/a	n/a	n/a
* S04 TP X 4S	130	n/a	(4) -013	(1) 0.12 dia x 0.25 long	(1) -4 SAE hex socket plug
* S04 TP X 4M	130	n/a	(4) -013	(1) 0.12 dia x 0.25 long	n/a
* S06 SP S 20S * S06 SP S 20M	131	(2) UNC 0.38-16 x 2.50 long SHCS (2) ISO 6H M10-1.5 x 65mm SHCS	n/a	n/a	n/a
* S06 TP X 4*	131	n/a	(4) -020	(1) 0.25 dia x 0.38 long	n/a
* S73 SP S 8S * S73 SP S 8M	132	(2) UNC 0.31-18 x 1.25 long SHCS (2) ISO 6H M8-1.25 x 35mm SHCS	n/a	n/a	n/a
* S74 SP S 16S * S74 SP S 16M	133	(2) UNC 0.38-16 x 3.00 long SHCS (2) ISO 6H M10-1.5 x 75mm SHCS	n/a	n/a	n/a
* S76 SP S 8S * S76 SP S 8M	134	(2) UNC 0.31-18 x 1.25 long SHCS (2) ISO 6H M8-1.25 x 35mm SHCS	n/a	n/a	n/a
* S77 SP S 16S * S77 SP S 16M	135	(2) UNC 0.38-16 x 2.00 long SHCS (2) ISO 6H M10-1.5 x 50mm SHCS	n/a	n/a	n/a
* S78 SP S 24S * S78 SP S 24M	136	(2) UNC 0.62-11 x 4.00 long SHCS (2) ISO 6H M16-2.0 x 100mm SHCS	n/a	n/a	n/a
* S82 SP S 4S * S82 SP S 4M	137	(2) UNC 0.25-20 x 1.00 long SHCS (2) ISO 6H M6-1.0 x 25mm SHCS	n/a	n/a	n/a
* S87 SP S 8S * S87 SP S 8M	137	(2) UNC 0.31-18 x 1.50 long SHCS (2) ISO 6H M8-1.25 x 40mm SHCS	n/a	n/a	n/a
* S90 SP S 4S * S90 SP S 4M	138	(2) UNC 0.31-18 x 1.25 long SHCS (2) ISO 6H M8-1.25 x 35mm SHCS	n/a	n/a	n/a
* S92 SP S 4S * S92 SP S 4M	138	(2) UNC 0.31-18 x 1.25 long SHCS (2) ISO 6H M8-1.25 x 35mm SHCS	n/a	n/a	n/a
* D05 TP XA 4* * D05 TP XB 4*	139	n/a	(5) -014	n/a	n/a